

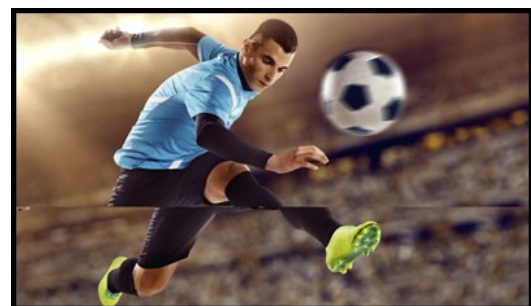


Red Eagle - fly high with your ultimate partner in battle

The 27" G-MASTER GB2788HS known as Red Eagle is a real game changer, giving true gamers the competitive edge they need to make split second decisions. It spikes down on your enemies with a blistering 1 ms response time, ensuring fluid and accurate transition between the images. Armed with FreeSync technology and 144Hz refresh rate, this powerful predator has no mercy for ghosting effects or smearing issues. Perfect vision manifested in the ability to adjust brightness and the dark shades with the Black Tuner delivers greater viewing performance in shadowed areas. No matter which you prefer: RTS, FPS, MOBA and MMO - choose Red Eagle and rank yourself top of the gamer community food chain.



144HZ



Freesync™ TECHNOLOGY

Rapid refresh rate and frame rate guarantee smooth, blur free and judder free graphics, with lower latency and lag improving response times for fast paced games. Especially suited to the fast pace games like FPS, racers, MOBA and sports where the 144Hz refresh rate delivers the crisp and sharp images needed to raise your game.

1. DISPLAY CHARACTERISTICS

DIAGONAL	27"; 68.6cm
ASPECT RATIO	16 : 9

PANEL	TN LED, matte finish
NATIVE RESOLUTION	Full HD 1080p (HDMI @120Hz, DVI-D&DisplayPort @144Hz), 1920 x 1080 (2.1 megapixel)
BRIGHTNESS	300 cd/m ² typical
CONTRAST	1000 : 1 typical
CONTRAST	12 000 000 : 1 ACR
RESPONSE TIME	1ms
VIEWING ZONE	horizontal/vertical: 170°/ 160°; right/left: 85°/ 85°; up/down: 80°/ 80°
DISPLAY COLOUR	16.7 million
BLUE LIGHT REDUCER	yes
FLIECKER FREE LED	yes
DISPLAY AREA H X W	336.2 x 597.6 mm; 13.2" x 23.5"
PIXEL PITCH H X V	0.311 x 0.311 mm
HORIZONTAL SYNC	DVI/DP: 30 - 160kHz
VERTICAL SYNC	DVI/DP: 55 - 145Hz
SYNCHRONIZATION	Separate Sync

2. INTERFACES CONNECTORS

DIGITAL INPUT CONNECTOR	DVI-D, HDMI, DisplayPort
HDCP	yes;
HEADPHONE CONNECTOR	Yes
OUTPUT CONNECTOR	headphone socket

3. SPECIAL FEATURES

APPLE - MAC	All iiyama monitors are compatible with Apple-Macintosh computers.
PLUG & PLAY	VESA DDC2B™
CONTROLS	Via OSD in 10 languages (EN, FR, DE, NL, PL, IT, CZ, RU, JP, Chinese (simplified and traditional) and 5 front controls (Power, Select/ Input Select, Scroll up/ Audio Adjust, Scroll down/ i-Style Mode, Menu)
USER CONTROLS	picture adjust (contrast, brightness, OverDrive, ACR, ECO, black tuner, HDMI RGB range, picture format, sharpness, X-Res Technology), input select, audio adjust (volume, mute, digital audio), colour, language, OSD settings (H. position, V. position, OSD transparency, OSD time out), setup menu (store user settings, FreeSync, blue light reducer, opening logo, LED, information, memory recall)
SPEAKERS	2 x 2.5 W (Stereo)
ANTI-THEFT-DEVICE	Kensington-lock™ prepared
ERGONOMICS	CE, TÜV-Bauart, CU, VCCI-B, PSE
EXTRA FUNCTIONS	supports FreeSync™ Technology (DisplayPort)
HEIGHT ADJUSTABLE STAND	Yes
HEIGHT ADJUSTMENT	130mm
SWIVEL STAND	90°; 45° left; 45° right
TILT ANGLE	17° up; -° down

VESA MOUNTING

100 x 100 mm

COLOUR

Black

4. ACCESSORIES

INCLUDED ACCESSORIES

power cable, DVI-D cable (dual-link), DisplayPort cable, audio cable, stand, quick start guide, safety guide

5. POWER MANAGEMENT

POWER SUPPLY

AC 100 - 240 V, 50 / 60 Hz

POWER SUPPLY UNIT

internal

POWER USAGE

35 W typical; max. 0.5 W in Power management mode

POWER MANAGEMENT

VESA DPMS

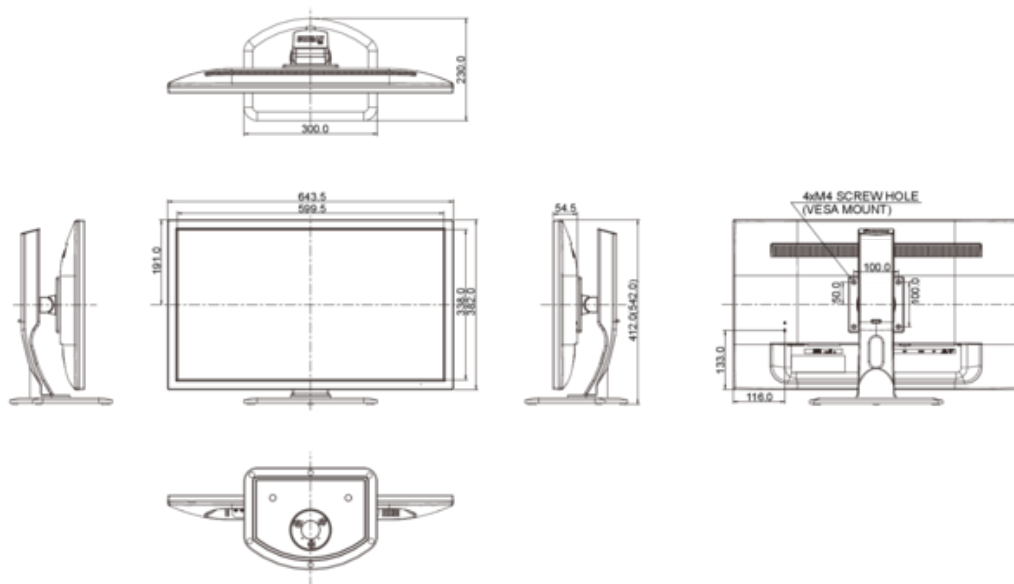
6. DIMENSIONS & WEIGHT

DIMENSIONS W X H X D

643.5 x 412 (542) x 230 mm

WEIGHT

6.9 kg



All trademarks and registered trademarks acknowledged. E & O E. Specification subject to change without notice. All LCD's comply with ISO-9241-307:2008 in connection with pixel defects.

© IYAMA CORPORATION (). ALL RIGHTS RESERVED.