



The ProLite XB2780HSU is a 27", eco friendly LED monitor featuring MVA Panel technology. This sophisticated technology provides wide viewing angles and offers superb colour performance including superior black and white display. A 5000:1 Native Contrast Ratio means the ProLite XB2780HSU is ideal for Photographic Design and Web Design. Featuring Full HD 1920 x 1080 resolution with VGA, DVI, HDMI signal connectivity and a 4 port USB-HUB, this screen is compatible with a wide range of systems and applications, making it an excellent choice for Universities, Corporate, Financial and Design Markets. The ergonomic stand offers 11cm height adjustment, pivot and swivel.

## 1. DISPLAY CHARACTERISTICS

DIAGONAL	27"; 69cm
ASPECT RATIO	16 : 9
PANEL	MVA LED-backlit
NATIVE RESOLUTION	Full HD 1080p, 1920 x 1080 ( 2.1 megapixel)
BRIGHTNESS	300 cd/m <sup>2</sup> typical
CONTRAST	5 000 : 1 typical
CONTRAST	5 000 000 : 1 ACR
RESPONSE TIME	5 ms
VIEWING ZONE	horizontal/vertical: 178° / 178° ; right/left: 89° / 89° ; up/down: 89° / 89°
DISPLAY COLOUR	16.7 million
DISPLAY AREA H X W	336.2 x 597.6 mm; 13.2" x 23.5"
PIXEL PITCH H X V	0.3113 x 0.3113 mm

HORIZONTAL SYNC	24 - 80 KHz
VERTICAL SYNC	56 - 70 Hz
SYNCHRONIZATION	Separate Sync

## 2. INTERFACES CONNECTORS

ANALOG INPUT CONNECTOR	VGA
DIGITAL INPUT CONNECTOR	DVI-D, HDMI
HDCP	yes;
HEADPHONE CONNECTOR	Yes
OUTPUT CONNECTOR	headphone socket
USB HUB	UP 1 x USB 2.0 / DOWN 4 x USB 2.0 down; up / Revision
INPUTS	USB (x4)

## 3. SPECIAL FEATURES

APPLE - MAC	All iiyama monitors are compatible with Apple-Macintosh computers.
PLUG & PLAY	VESA DDC2B™
CONTROLS	Via OSD in 9 languages (EN, DE, FR, ES, IT, PT, Chinese, RU, JP) and 5 front controls (Power, Menu/ Select, +/- Volume, -/ ECO, Auto)
USER CONTROLS	luminance (contrast, brightness, ECO, i-style Colour, ACR), image setup (clock, phase, H. position, V. position, aspect), colour adjust (colour temperature, gamma, sRGB), OSD setup (H. position, V. position, time out, language), others (reset, signal select, HDMI audio, OD, information), volume, auto adjust
SPEAKERS	2 x 2 W (Stereo)
ANTI-THEFT-DEVICE	Kensington-lock™ prepared
ERGONOMICS	CE, TUV-Bauart, VCCI-B, PSE, TCO 6
HEIGHT ADJUSTABLE STAND	Yes
HEIGHT ADJUSTMENT	110 mm
ROTATION (PIVOT FUNCTION)	90°
SWIVEL STAND	340°; 170° left; 170° right
TILT ANGLE	22° up; 4° down
VESA MOUNTING	100 x 100 mm
COLOUR	Black

## 4. ACCESSORIES

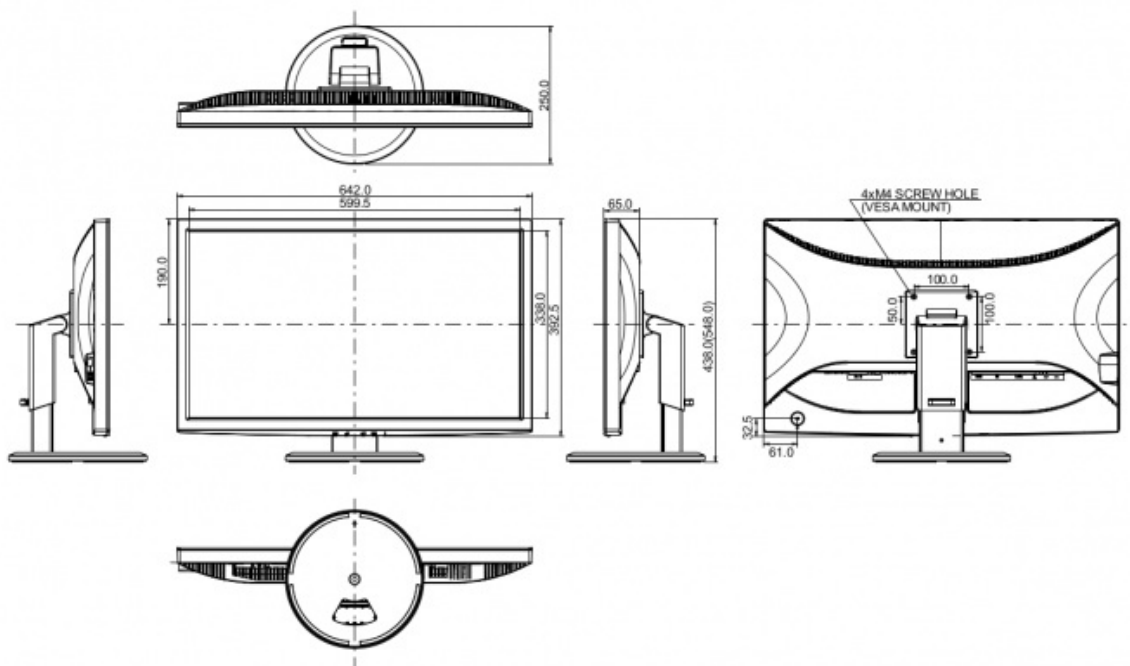
DRIVER	Windows 95 / 98 / 2000 / ME / XP / Vista / 7
INCLUDED ACCESSORIES	power cable, DVI-D cable, audio cable, USB cable, stand, screw (x2), quick start guide, safety guide

## 5. POWER MANAGEMENT

POWER SUPPLY	AC 100 - 240 V, 50 / 60 Hz
POWER SUPPLY UNIT	internal
POWER USAGE	41 W typical; max. 1 W in Power management mode
POWER MANAGEMENT	VESA DPMS, ENERGY STAR®

## 6. DIMENSIONS & WEIGHT

DIMENSIONS W X H X D	642 x 438 (548) x 250 mm
WEIGHT	7.6 kg



All trademarks and registered trademarks acknowledged. E & O E. Specification subject to change without notice. All LCD's comply with ISO-9241-307:2008 in connection with pixel defects.

© IIYAMA CORPORATION ( ). ALL RIGHTS RESERVED.