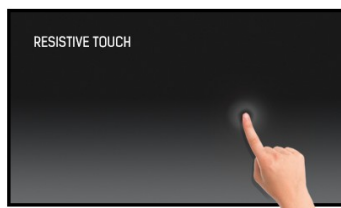




ProLite T1532SR is an incredibly powerful touch solution based on the latest 5 Wire Resistive technology. Price / performance ratio is ideal for the budget conscious user while quality and specification is certainly not compromised. The display inputs include both Analogue and Digital (DVI) with Touchscreen connectivity via either USB or RS-232 which offers greater than typical flexibility. A solid and steady base supports the TouchScreen with an adjustable stand offering full 90 degree positioning angles. Extensive Touch Utilities allow for 4 point calibration and 9/25 point linerisation. Menu Buttons are located on the side of the screen which can be locked to prevent tampering, and includes a handy function to deactivate the Touch Screen for cleaning. In addition the bezel free design creates an eye-catching finish with high light transmission guaranteeing perfect picture clarity and brilliant colours.



#### TOUCH TECHNOLOGY - RESISTIVE

5-wire resistive touchscreens are very durable and can be used in a variety of environments. They are especially recommended for shops, restaurants and industrial purposes.



#### IP54

The IP Code classifies how resistant a device is to foreign objects and moisture. IP54 means that the monitor will operate in dusty conditions, and will resist splashing water.

## 1. DISPLAY CHARACTERISTICS

DIAGONAL

15"; 38cm

ASPECT RATIO	4 : 3
PANEL	TN LED
NATIVE RESOLUTION	1024 x 768 ( 0.8 megapixel)
BRIGHTNESS	370 cd/m <sup>2</sup> typical
BRIGHTNESS	300 cd/m <sup>2</sup> with touch panel
CONTRAST	700 : 1 with touch panel
RESPONSE TIME	8ms
VIEWING ZONE	horizontal/vertical: 170° / 160° ; right/left: 85° / 85° ; up/down: 80° / 80°
DISPLAY COLOUR	16.7 million
TOUCHTECHNOLOGY	resistive
TOUCH POINTS	Yes
LIGHT TRANSMITTANCE	80%
DISPLAY AREA H X W	228 x 304 mm; 9" x 12"
PIXEL PITCH H X V	0.297 x 0.297 mm
HORIZONTAL SYNC	31.5 - 60.2kHz
VERTICAL SYNC	56 - 75Hz
SYNCHRONIZATION	Separate Sync
TYPE	bezel-free

## 2. INTERFACES CONNECTORS

ANALOG INPUT CONNECTOR	VGA
DIGITAL INPUT CONNECTOR	DVI
CONTROLS	RS232C, USB (touch)

## 3. SPECIAL FEATURES

APPLE - MAC	OS9, OSX
PLUG & PLAY	VESA DDC 2B™
CONTROLS	On-Screen-Display in 8 languages (DE, EN, ES, FR, IT, JP, Chinese - traditional and simplified) and 5 front controls (Menu, Scroll up/ Brightness, Scroll down/ Mute, Select/ Auto, Power)
USER CONTROLS	contrast, brightness, auto adjust, H.position, V.position, H.size, phase, OSD H.position, OSD V.position, OSD timeout, reset, input select, OSD language, colour temperature, volume, mute
SPEAKERS	2 x 1 W (Stereo)
ANTI-THEFT-DEVICE	Kensington-lock™ prepared
SAFETY	CE, CB, TÜV-Bauart, CU, cULus, VCCI
TILT ANGLE	90° up; 5° down
VESA MOUNTING	100 x 100 mm
WATER AND DUST PROTECTION	IP54

## 4. ACCESSORIES

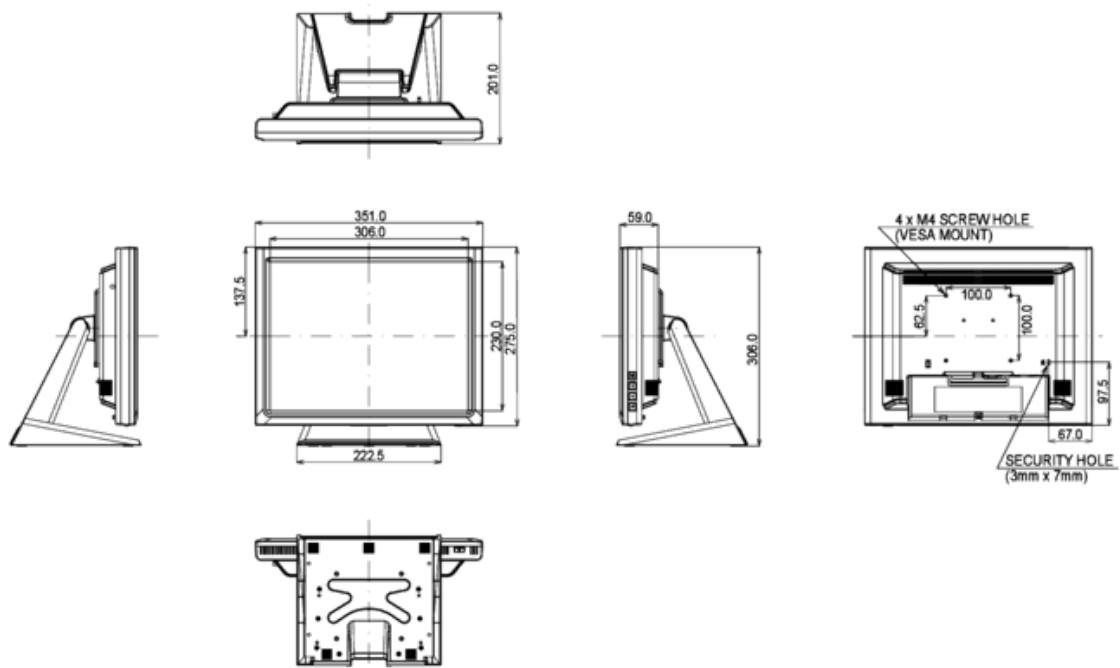
DRIVER	Windows (10, 8.1, 8, 7, Vista, XP, 9X, 2000, CE, NT4), Linux, Mac (OSX, OS9), DOS
INCLUDED ACCESSORIES	power cable, VGA signal cable, DVI signal cable, RS232C signal cable, audio cable, USB cable, Touch Panel Driver Disk (CD-ROM), screw, quick start guide

## 5. POWER MANAGEMENT

POWER SUPPLY	AC 100 - 240 V, 50 / 60 Hz
POWER SUPPLY UNIT	internal
POWER USAGE	16 W typical; max. 2 W in Power management mode
POWER MANAGEMENT	VESA DPMS

## 6. DIMENSIONS & WEIGHT

DIMENSIONS W X H X D	351 x 306 x 201 mm
WEIGHT	4.8 kg



All trademarks and registered trademarks acknowledged. E & O E. Specification subject to change without notice. All LCD's comply with ISO-9241-307:2008 in connection with pixel defects.

© IIYAMA CORPORATION ( ). ALL RIGHTS RESERVED.