

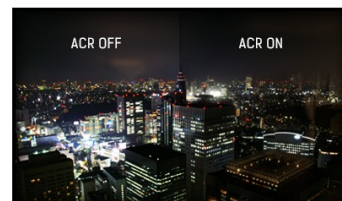


The ProLite E2280HS is a 22" Full HD 1920 x 1080p LED-backlit monitor. It features 5ms black-to-black response time and 12 000 000 : 1 Advanced Contrast Ratio assuring very good picture quality. Triple Input support of Analogue, DVI and HDMI ensures compatibility with the latest installed graphics cards and embedded Notebook outputs. A reliable solution for both home and office use.



FULL HD

With true 1920 x 1080p resolution your monitor is ready to display high definition images. This means you can accommodate more information on your screen; e.g. 60% more in comparison to a 1280 x 1024 monitor.



ACR

Contrast Ratio is a measurement of the difference between the darkest black and the brightest white your monitor can display. Advanced Contrast Ratio is a feature that automatically adjusts contrast and brightness of the screen to assure perfect picture quality while watching films and playing games.

1. DISPLAY CHARACTERISTICS

DIAGONAL	21.5"; 54.7cm
ASPECT RATIO	16 : 9

PANEL	TN LED, matte finish
NATIVE RESOLUTION	Full HD 1080p, 1920 x 1080 (2.1 megapixel)
BRIGHTNESS	250 cd/m ² typical
CONTRAST	1000 : 1 typical
CONTRAST	12 000 000 : 1 ACR
RESPONSE TIME	5ms
VIEWING ZONE	horizontal/vertical: 160° / 160°; right/left: 80° / 80°; up/down: 80° / 80°
DISPLAY COLOUR	16.7 million
BLUE LIGHT REDUCER	yes
DISPLAY AREA H X W	268.11 x 476.64 mm; 10.6" x 18.8"
VIEWING ZONE CR>5	horizontal/vertical: 178° / 170°; right/left: 89° / 89°; up/down: 85° / 85°
PIXEL PITCH H X V	0.2482 x 0.2482 mm
HORIZONTAL SYNC	24 - 80kHz
VERTICAL SYNC	56 - 75Hz
SYNCHRONIZATION	Separate sync

2. INTERFACES CONNECTORS

ANALOG INPUT CONNECTOR	VGA
DIGITAL INPUT CONNECTOR	DVI-D, HDMI
HDCP	yes;

3. SPECIAL FEATURES

APPLE - MAC	All iiyama monitors are compatible with Apple-Macintosh computers.
PLUG & PLAY	VESA DDC2B™
CONTROLS	Via OSD in 9 languages (EN, DE, FR, ES, IT, PT, Chinese, RU, JP) and 5 front controls (Power, Menu, + /Volume, - /ECO, Auto)
USER CONTROLS	luminance (contrast, brightness, ECO, i-style Colour, ACR), image steep (clock, phase, H. position, V. position, aspect), colour (gamma, colour temperature, sRGB), OSD setup (H. position, V. position, OSD time out, language), others (reset, signal select, audio input, OD, information), volume, auto adjust
SPEAKERS	2 x 1 W (Stereo)
ANTI-THEFT-DEVICE	Kensington-lock™ prepared
ERGONOMICS	CE, TUV-GS, CU, TCO 6
TILT ANGLE	21° up; 5° down
VESA MOUNTING	100 x 100 mm
COLOUR	Black

4. ACCESSORIES

INCLUDED ACCESSORIES	power cable, DVI-D cable, audio cable, stand, stand-base, cable holder, quick start guide, safety guide
----------------------	---

5. POWER MANAGEMENT

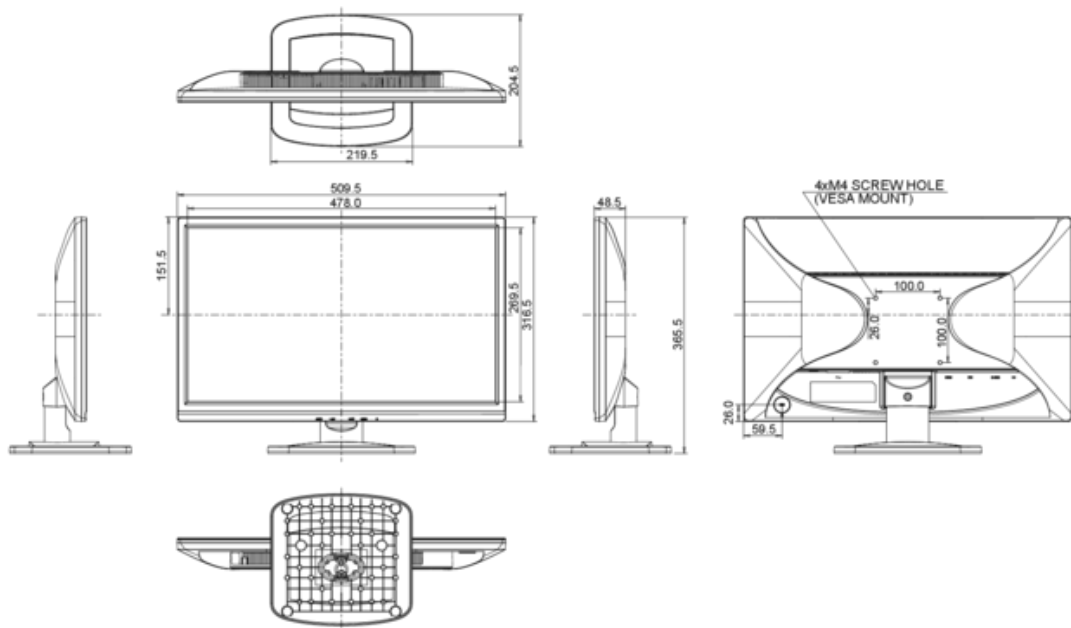
POWER SUPPLY	AC100~240V 50/60Hz
POWER SUPPLY UNIT	internal
POWER USAGE	21 W typical; max. 0.5 W in Power management mode
POWER MANAGEMENT	VESA DPMS

6. EPEAT SILVER

EPEAT	EPEAT is a comprehensive environmental rating that helps identify greener computers and other electronic equipment. The Silver certification means the monitor meets all required criteria plus at least 50% of the optional requirements. EPEAT Silver is valid in countries where iiyama registers the product. Please visit www.epeat.net for the registration status in your country.
-------	--

7. DIMENSIONS & WEIGHT

DIMENSIONS W X H X D	509.5 x 365.5 x 204.5 mm
WEIGHT	3.5 kg



All trademarks and registered trademarks acknowledged. E & O E. Specification subject to change without notice. All LCD's comply with ISO-9241-307:2008 in connection with pixel defects.

© IIYAMA CORPORATION (). ALL RIGHTS RESERVED.