



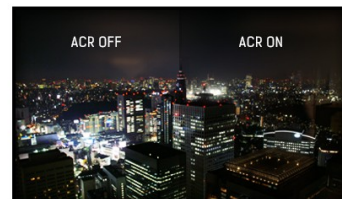
Reliable office solution

The 19" ProLite E1980SD is a LED-backlit monitor with good response time, high contrast and sRGB and gamma correction functions that permit even the finest nuances of colour to be set accurately. The ProLite E1980SD includes DVI and VGA connectivity and is available in black.



LED-BACKLIT

A typical CCFL LCD uses four backlight lamps. Using LED diodes considerably lowers the power consumption and reduces the CO2 emission into the environment making this LCD a true ECO-Friendly product.



ACR

Contrast Ratio is a measurement of the difference between the darkest black and the brightest white your monitor can display. Advanced Contrast Ratio is a feature that automatically adjusts contrast and brightness of the screen to assure perfect picture quality while watching films and playing games.

1. DISPLAY CHARACTERISTICS

DIAGONAL

19"; 48cm

ASPECT RATIO	5 : 4
PANEL	TN LED, matte finish
NATIVE RESOLUTION	1280 x 1024 (1.3 megapixel)
BRIGHTNESS	250 cd/m ² typical
CONTRAST	1000 : 1 typical
CONTRAST	12 000 000 : 1 ACR
RESPONSE TIME	5 ms
VIEWING ZONE	horizontal/vertical: 170° / 160° ; right/left: 85° / 85° ; up/down: 75° / 85°
DISPLAY COLOUR	16.7 million
DISPLAY AREA H X W	301.05 x 376.32 mm; 11.9" x 14.8"
PIXEL PITCH H X V	0.294 x 0.294 mm
HORIZONTAL SYNC	24 - 83 KHz
VERTICAL SYNC	56 - 76 Hz
SYNCHRONIZATION	Separate Sync

2. INTERFACES CONNECTORS

ANALOG INPUT CONNECTOR	VGA
DIGITAL INPUT CONNECTOR	DVI-D
HDCP	yes;

3. SPECIAL FEATURES

APPLE - MAC	All iiyama monitors are compatible with Apple-Macintosh computers.
CONTROLS	Via OSD in 9 languages (EN, DE, FR, ES, IT, PT, RU, JP, Chinese) and 5 front controls (Power, Menu, +/- Volume Button, -/ ECO Button, AUTO)
USER CONTROLS	luminance (contrast, brightness, ECO, i-Style colour, ACR), image setup (clock, phase, H. position, V. position), colour adjust (gamma, colour temperature, sRGB), OSD setup (H. position, V. position, timeout, language), others (reset, signal select, information), volume, auto adjust
SPEAKERS	2 x 1 W (Stereo)
ANTI-THEFT-DEVICE	Kensington-lock™ prepared
SAFETY	CE, TÜV-GS, VCCI-B, CU
TILT ANGLE	21° up; 4° down
VESA MOUNTING	100 x 100 mm

4. ACCESSORIES

INCLUDED ACCESSORIES	power cable, VGA cable, DVI-D cable, audio cable, stand, stand-base, quick start guide, safety guide
----------------------	--

5. POWER MANAGEMENT

POWER SUPPLY	AC 100 - 240 V, 50 / 60 Hz
--------------	----------------------------

POWER SUPPLY UNIT	internal
POWER USAGE	16 W typical; max. 0.5 W in Power management mode
POWER MANAGEMENT	VESA DPMS, ENERGY STAR®

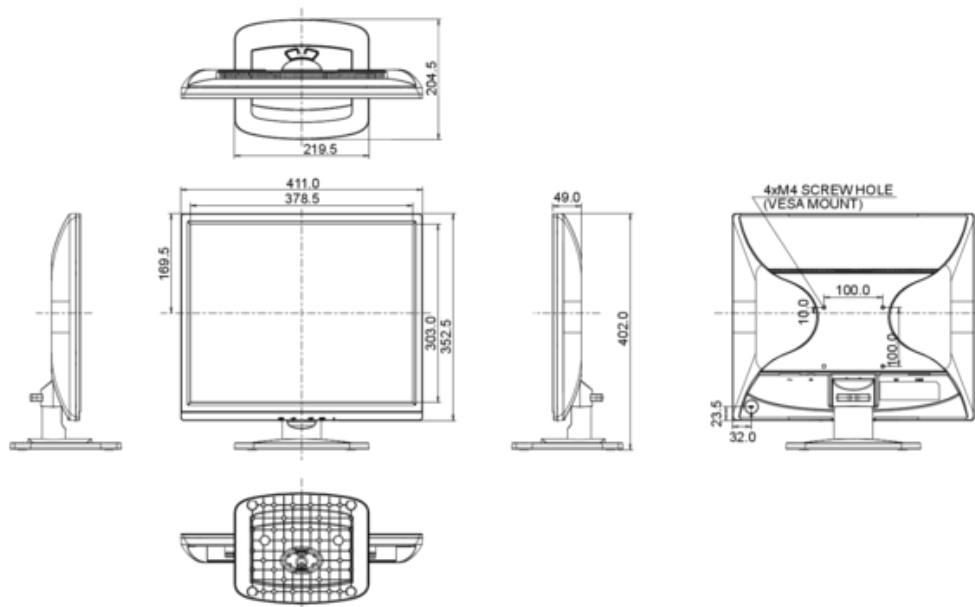
6. EPEAT SILVER

EPEAT

EPEAT is a comprehensive environmental rating that helps identify greener computers and other electronic equipment. The Silver certification means the monitor meets all required criteria plus at least 50% of the optional requirements. EPEAT Silver is valid in countries where iiyama registers the product. Please visit www.epeat.net for the registration status in your country.

7. DIMENSIONS & WEIGHT

DIMENSIONS W X H X D	411 x 402 x 204.5 mm
WEIGHT	3.2 kg



All trademarks and registered trademarks acknowledged. E & O E. Specification subject to change without notice. All LCD's comply with ISO-9241-307:2008 in connection with pixel defects.

© IIYAMA CORPORATION (). ALL RIGHTS RESERVED.