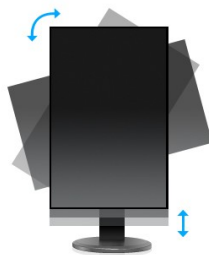


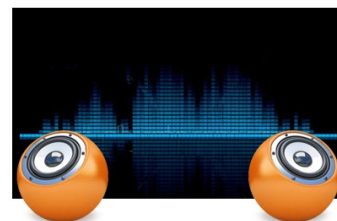


The Prolite B2780HSU is a 27" Full HD monitor with a low power LED-backlit display. It features a stunning 1 ms Response Time, 4 Port USB Hub, a High Definition 1920 x 1080 Resolution and comes with VGA, DVI and HDMI connections. The >5 000,000:1 Advanced Contrast Ratio and 300 cd/m² brightness offer the user clear and vivid images. The ergonomic stand offers 11cm height adjustment with pivot and swivel, making this screen suitable for a wide range of applications and environments where workplace flexibility and ergonomics are key factors. The Prolite B2780HSU is an excellent choice for Universities, Corporate, Financial and Design Markets.



HAS + PIVOT

With a height adjustable stand you will create an ergonomic work posture and position that meets all health and safety requirements. This will not only prevent any health issues but will also increase your productivity. The pivot function allows the screen to rotate from landscape to portrait orientation. This functionality can be useful if the application requires more height than width.



SPEAKERS

This LED monitor is equipped with two high quality stereo speakers.

1. DISPLAY CHARACTERISTICS

ASPECT RATIO	16 : 9
PANEL	TN LED, matte finish
NATIVE RESOLUTION	Full HD 1080p, 1920 x 1080 (2.1 megapixel)
BRIGHTNESS	300 cd/m ² typical
CONTRAST	1200 : 1 typical
CONTRAST	12 000 000 : 1 ACR
RESPONSE TIME	1ms
VIEWING ZONE	horizontal/vertical: 170° / 160° ; right/left: 85° / 85° ; up/down: 80° / 80°
DISPLAY COLOUR	16.7 million
BLUE LIGHT REDUCER	yes
DISPLAY AREA H X W	336.2 x 597.6 mm; 13.2" x 23.5"
PIXEL PITCH H X V	0.3113 x 0.3113 mm
HORIZONTAL SYNC	24 - 80kHz
VERTICAL SYNC	56 - 75Hz
SYNCHRONIZATION	Separate Sync

2. INTERFACES CONNECTORS

ANALOG INPUT CONNECTOR	VGA
DIGITAL INPUT CONNECTOR	DVI-D, HDMI
HDCP	yes;
HEADPHONE CONNECTOR	Yes
USB HUB	UP 1 x USB 2.0 / DOWN 4 x USB 2.0 down; up / Revision

3. SPECIAL FEATURES

PLUG & PLAY	VESA DDC2B™
SPEAKERS	2 x 2 W (Stereo)
ERGONOMICS	CE, TCO 6, TUV-Bauart
HEIGHT ADJUSTABLE STAND	Yes
HEIGHT ADJUSTMENT	110mm
ROTATION (PIVOT FUNCTION)	90°
SWIVEL STAND	340°; 170° left; 170° right
TILT ANGLE	22° up; 4° down
VESA MOUNTING	100 x 100 mm
COLOUR	Black

4. ACCESSORIES

INCLUDED ACCESSORIES	power cable, DVI-D cable, audio cable, USB cable, stand, screw (x2), quick start guide, safety guide
----------------------	--

5. POWER MANAGEMENT

POWER USAGE	37 W typical; max. 1 W in Power management mode
POWER MANAGEMENT	VESA DPMS

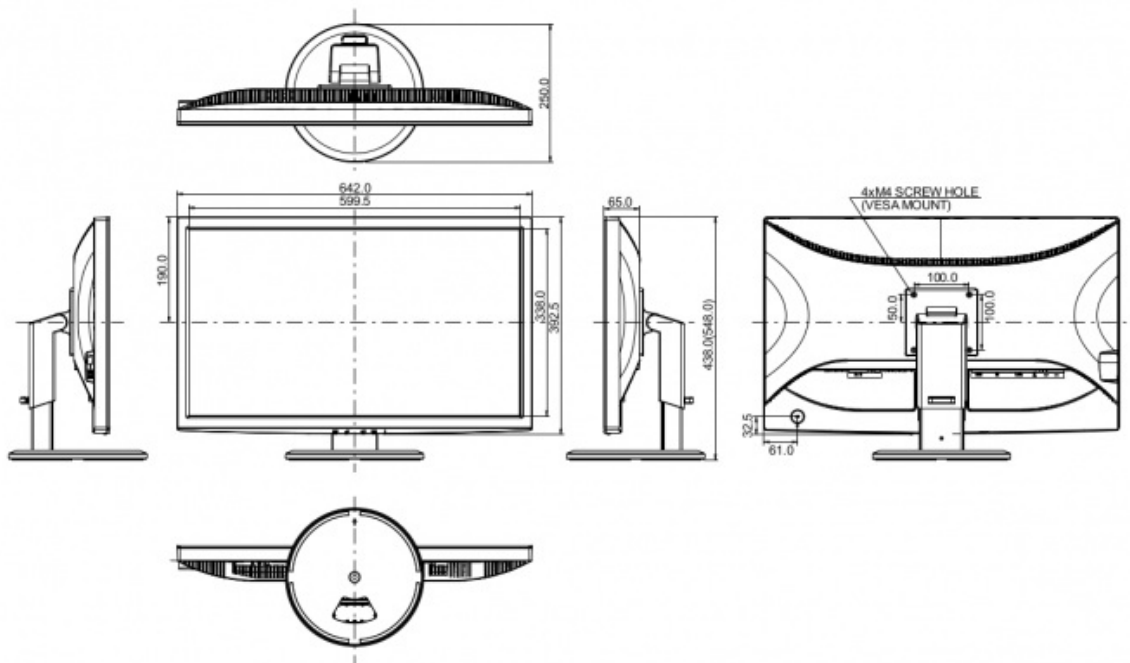
6.

7. EPEAT SILVER

EPEAT	EPEAT is a comprehensive environmental rating that helps identify greener computers and other electronic equipment. The Silver certification means the monitor meets all required criteria plus at least 50% of the optional requirements. EPEAT Silver is valid in countries where iiyama registers the product. Please visit www.epeat.net for the registration status in your country.
-------	--

8. DIMENSIONS & WEIGHT

DIMENSIONS W X H X D	642 x 438 (548) x 250 mm
WEIGHT	8 kg



All trademarks and registered trademarks acknowledged. E & O E. Specification subject to change without notice. All LCD's comply with ISO-9241-307:2008 in connection with pixel defects.

© IIYAMA CORPORATION (). ALL RIGHTS RESERVED.