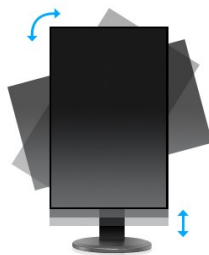




The ProLite B2280HS is a high specification 22" Full HD 1920 x 1080p LED-backlit monitor with Height Adjustability and Screen Rotation allowing you to set the perfect position of the screen ensuring ergonomic posture and optimal viewing comfort. 5msec black-to-black response time and 12 000 000 : 1 Advanced Contrast Ratio make the B2280HS ideal for Video Conferencing, DTP and CAD as well as the usual text based applications. Triple Input support of Analogue, DVI and HDMI ensures compatibility with the latest installed graphics cards and embedded Notebook outputs.

Available in black and white.



HAS + PIVOT

With a height adjustable stand you will create an ergonomic work posture and position that meets all health and safety requirements. This will not only prevent any health issues but will also increase your productivity. The pivot function allows the screen to rotate from landscape to portrait orientation. This functionality can be useful if the application requires more height than width.



SPEAKERS

This LED monitor is equipped with two high quality stereo speakers.

1. DISPLAY CHARACTERISTICS

DIAGONAL

21.5"; 54.7cm

ASPECT RATIO	16 : 9
PANEL	TN LED, matte finish
NATIVE RESOLUTION	Full HD 1080p, 1920 x 1080 (2.1 megapixel)
BRIGHTNESS	250 cd/m ² typical
CONTRAST	1000 : 1 typical
CONTRAST	12 000 000 : 1 ACR
RESPONSE TIME	5ms
VIEWING ZONE	horizontal/vertical: 160° / 160° ; right/left: 80° / 80° ; up/down: 80° / 80°
DISPLAY COLOUR	16.7 million
BLUE LIGHT REDUCER	yes
DISPLAY AREA H X W	268.11 x 476.64 mm; 10.6" x 18.8"
VIEWING ZONE CR>5	horizontal/vertical: 178° / 170° ; right/left: 89° / 89° ; up/down: 85° / 85°
PIXEL PITCH H X V	0.2482 x 0.2482 mm
HORIZONTAL SYNC	24 - 83kHz
VERTICAL SYNC	50 - 76Hz
SYNCHRONIZATION	Separate sync

2. INTERFACES CONNECTORS

ANALOG INPUT CONNECTOR	VGA
DIGITAL INPUT CONNECTOR	DVI-D, HDMI
HDCP	yes;

3. SPECIAL FEATURES

APPLE - MAC	All iiyama monitors are compatible with Apple-Macintosh computers.
PLUG & PLAY	VESA DDC2B™
CONTROLS	Via OSD in 9 languages (EN, DE, FR, ES, IT, PT, Chinese, RU, JP) and 5 front controls (Power, Menu, + /Volume, - /ECO, Auto)
USER CONTROLS	luminance (contrast, brightness, ECO, i-style Colour, ACR), image steep (clock, phase, H. position, V. position, aspect), colour (gamma, colour temperature, sRGB), OSD setup (H. position, V. position, OSD time out, language), others (reset, signal select, audio input, OD, information), volume, auto adjust
SPEAKERS	2 x 1 W (Stereo)
ANTI-THEFT-DEVICE	Kensington-lock™ prepared
ERGONOMICS	CE, TUV-GS, CU, TCO 6
HEIGHT ADJUSTABLE STAND	Yes
HEIGHT ADJUSTMENT	130mm
ROTATION (PIVOT FUNCTION)	90°
SWIVEL STAND	320°; 160° left; 160° right
TILT ANGLE	22° up; 5° down

VESA MOUNTING	100 x 100 mm
COLOUR	White

4. ACCESSORIES

INCLUDED ACCESSORIES	power cable, DVI-D cable, audio cable, stand, screw, cable holder, quick start guide, safety guide
----------------------	--

5. POWER MANAGEMENT

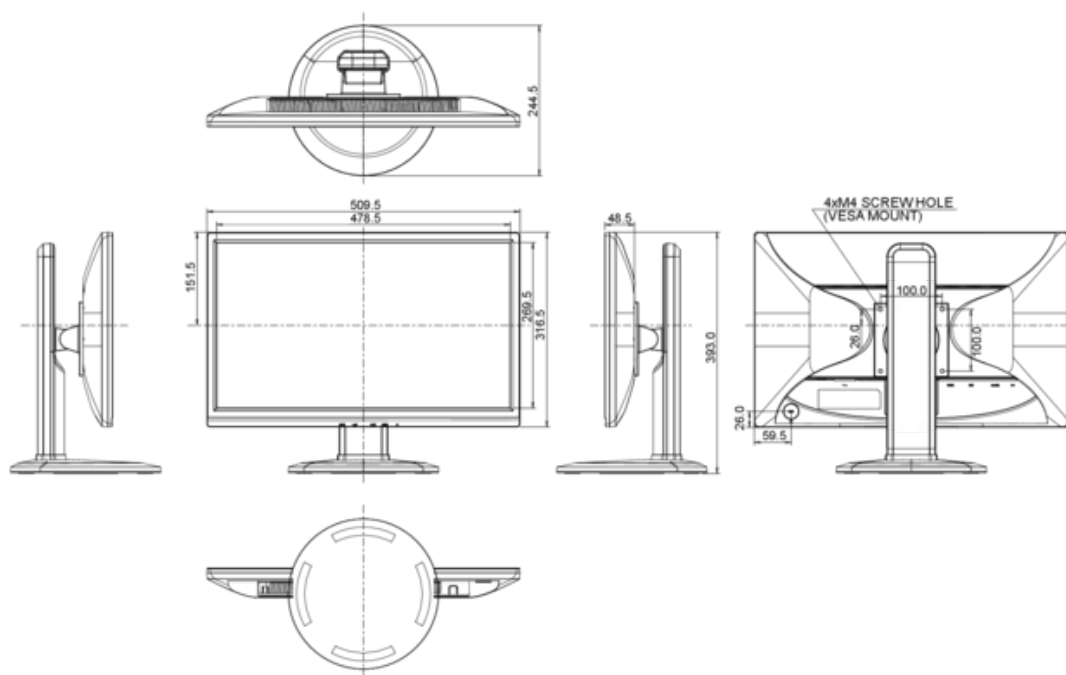
POWER SUPPLY	AC100~240V 50/60Hz
POWER SUPPLY UNIT	internal
POWER USAGE	21 W typical; max. 0.5 W in Power management mode
POWER MANAGEMENT	VESA DPMS

6. EPEAT SILVER

EPEAT	EPEAT is a comprehensive environmental rating that helps identify greener computers and other electronic equipment. The Silver certification means the monitor meets all required criteria plus at least 50% of the optional requirements. EPEAT Silver is valid in countries where iiyama registers the product. Please visit www.epeat.net for the registration status in your country.
-------	--

7. DIMENSIONS & WEIGHT

DIMENSIONS W X H X D	509.5 x 393 (523) x 244.5 mm
WEIGHT	5.2 kg



All trademarks and registered trademarks acknowledged. E & O E. Specification subject to change without notice. All LCD's comply with ISO-9241-307:2008 in connection with pixel defects.