



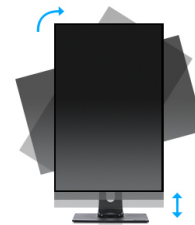
### 24" IPS technology panel with height adjustable stand

Stylish edge-to-edge design makes the ProLite XUB2492HSU perfect for multi-monitor set-ups. The IPS panel technology offers accurate and consistent colour reproduction with wide viewing angles. High contrast and brightness values mean the monitor will provide excellent performance for photographic and web design. Equipped with speakers, 2 port USB hub, headphone socket, HDMI and DisplayPort connections, a blue light reducer function to reduce eye fatigue and an ergonomic 150mm height adjustable stand for optimal user comfort, make this 24" monitor a great choice for both multi-monitor configuration and office applications.



IPS Technology

IPS technology offers higher contrast, darker blacks and much better viewing angles than standard TN technology. The screen will look good no matter what angle you look at it.



HAS (150mm) + PIVOT

With a height adjustable stand you will create an ergonomic work posture and position that meets all health and safety requirements. This will not only prevent any health issues but will also increase your productivity. The pivot function allows the screen to rotate from landscape to portrait orientation. This functionality can be useful if the application requires more height than width.

## 01 DISPLAY CHARACTERISTICS

<b>Design</b>	3-side borderless
<b>Diagonal</b>	23.8", 60.5cm
<b>Panel</b>	IPS Panel Technology LED, matte finish
<b>Native resolution</b>	1920 x 1080 @75Hz (DisplayPort&HDMI, 2.1 megapixel Full HD)
<b>Aspect ratio</b>	16:9
<b>Panel brightness</b>	250 cd/m <sup>2</sup>
<b>Static contrast</b>	1000:1
<b>Advanced contrast</b>	80M:1
<b>Response time (GTG)</b>	4ms
<b>Viewing zone</b>	horizontal/vertical: 178°/178°, right/left: 89°/89°, up/down: 89°/89°
<b>Colour support</b>	16.7mIn (sRGB: 99%; NTSC: 72%)
<b>Horizontal Sync</b>	30 - 86kHz
<b>Viewable area W x H</b>	527 x 296.5mm, 20.7 x 11.7"
<b>Pixel pitch</b>	0.275mm
<b>Colour</b>	matte, black

## 02 INTERFACES / CONNECTORS / CONTROLS

<b>Signal input</b>	VGA x1 (1920x1080 @60Hz) HDMI x1 (1920x1080 @75Hz) DisplayPort x1 (1920x1080 @75Hz)
<b>USB HUB</b>	x2 (v.2.0 (DC5V, 500mA))
<b>HDCP</b>	yes
<b>Headphone connector</b>	yes

## 03 FEATURES

<b>Blue light reducer</b>	yes
<b>Flicker free</b>	yes
<b>Extra</b>	i-Style colour
<b>OSD languages</b>	EN, DE, FR, ES, IT, RU, JP, CZ, NL, PL
<b>Control buttons</b>	Power, Menu/ Select, +/ Volume, -/ ECO, Exit, Input
<b>User controls</b>	auto adjust, picture adjust (brightness, contrast, ECO, blue light reducer, ACR, OD), geometry (H. position, V. position, pixel clock, phase), colour settings (colour temp., user preset, i-Style colour), OSD (H. position, V. position, OSD rotate, OSD time), language, recall, miscellaneous (sharp and soft, video mode adjust, opening logo, information), input select (source), audio settings (volume, mute, input)
<b>Speakers</b>	2 x 2W
<b>Convenience</b>	Kensington-lock™ prepared, DDC2B, Mac OSX

## 04 MECHANICAL

<b>Display position adjustments</b>	height, swivel, tilt, pivot (rotation both sides)
<b>Height adjustment</b>	150mm
<b>Rotation (PIVOT function)</b>	90°
<b>Swivel stand</b>	90°; 45 ° left; 45° right
<b>Tilt angle</b>	23° up; 5° down
<b>VESA mounting</b>	100 x 100mm
<b>Cable management system</b>	yes

## 05 ACCESSORIES INCLUDED

Cables	power, USB, HDMI, DP
Other	quick start guide, safety guide

## 06 POWER MANAGEMENT

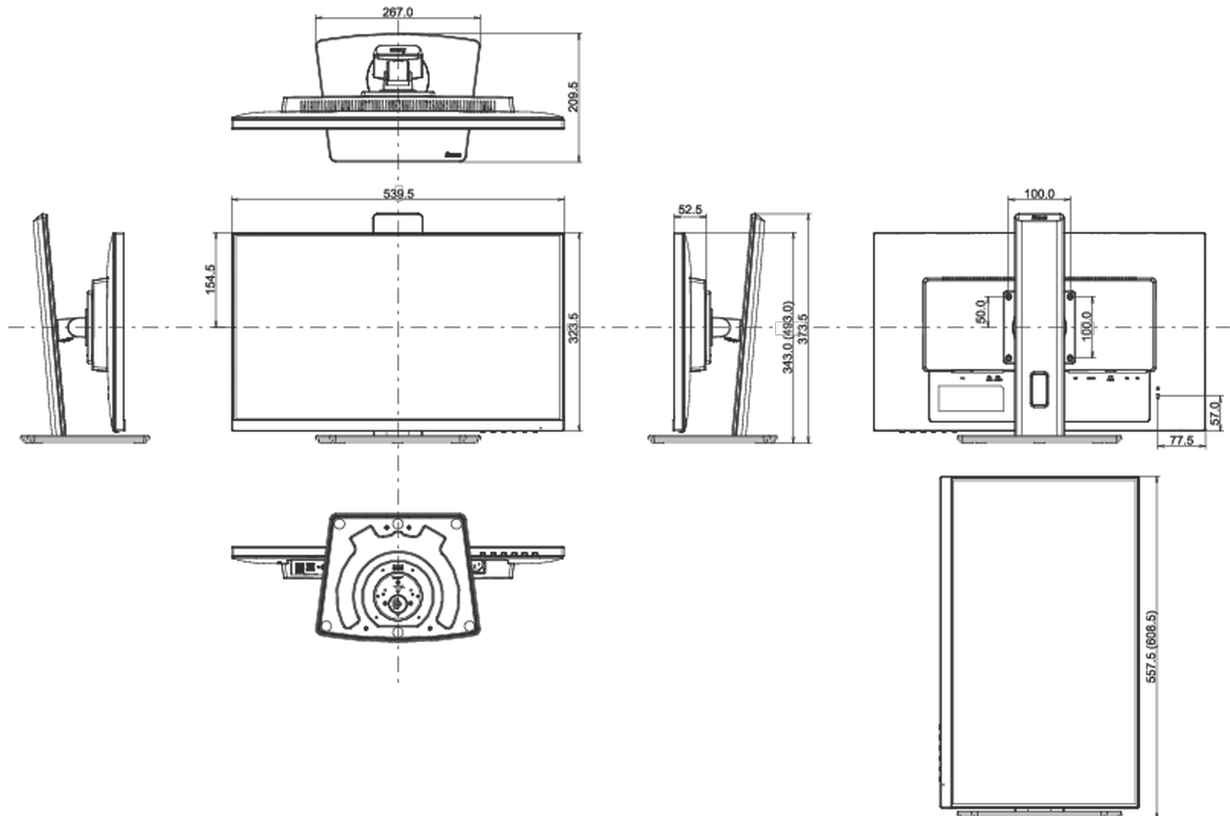
Power supply unit	internal
Power supply	AC 100 - 240V, 50/60Hz
Power usage	15W typical, 0.5W stand by, 0.3W off mode

## 07 SUSTAINABILITY

Regulations	TCO Certified, CE, TÜV-GS, EAC, VCCI-B, PSE, RoHS support, ErP, WEEE, REACH, UKCA
TCO Certified	XUB2492HSU-B5 H, ProLite XUB2492HSU-B5 J, ProLite XUB2492HSU-B5 K
Energy efficiency class (Regulation (EU) 2017/1369)	D
REACH SVHC	above 0.1%: Lead

## 08 DIMENSIONS / WEIGHT

Product dimensions W x H x D	539.5 x 343 (493) x 209.5mm
Box dimensions W x H x D	620 x 415 x 162mm
Weight (without box)	5.3kg
Weight (with box)	6.7kg
EAN code	4948570121229



*All trademarks and registered trademarks acknowledged. E & O E. Specification subject to change without notice. All LCD's comply with ISO-9241-307:2008 in connection with pixel defects.*

© IIYAMA CORPORATION. ALL RIGHTS RESERVED