



An Intel® i5 slot PC with Windows® 10 IoT Enterprise and TPM 2.0 (Trusted Platform Module)

This mini PC with Intel® Core™ i5 inside turns your Iiyama interactive large format display into a stand-alone solution. It comes equipped with a powerful Intel® processor with integrated Ultra HD graphics and a fast SSD drive. No hassle with cables and having to mount a PC at the back of the monitor or on a floor lift. Simply slide in the Iiyama slot PC and get started right away.

The module is only compatible with the Iiyama TExx04MIS* Series; 65": [TE6504MIS-B1AG](#) / [TE6504MIS-B2AG](#) , 75": [TE7504MIS-B1AG](#) / [TE7504MIS-B2AG](#), 86": [TE8604MIS-B1AG](#) / [TE8604MIS-B2AG](#)

*Excluding the 98" [ProLite TE9804MIS-B1AG](#)

01 DEVICE

Type	slot PC
CPU	Intel® Core™ i5-10400, TPM 2.0 (Trusted Platform Module)
RAM	8GB DDR4
SSD	256GB M.2
Graphics	Intel® HD Graphics UHD630
Chipset	Intel® H410
Sound card	Cmedia HS-100B
Network	10/100/1000M Adapter
WiFi	802.11/a/b/g/n/ac/ax (M.2) (2.4GHz/5GHz)
Bluetooth	5.2
Operating system	Win 10 IoT Enterprise 64-bit, Windows 11 compatible
LAN (RJ45)	x1
USB	3.0 x4, 3.1 (Type C) x1, 2.0 x2
DisplayPort Out	x1
HDMI Out	x1
Microphone In	x1

02 POWER MANAGEMENT

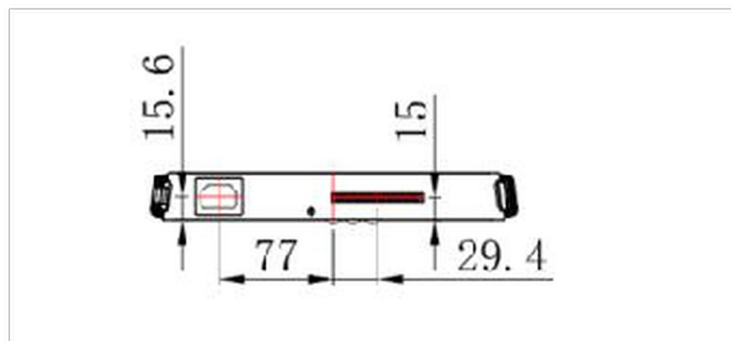
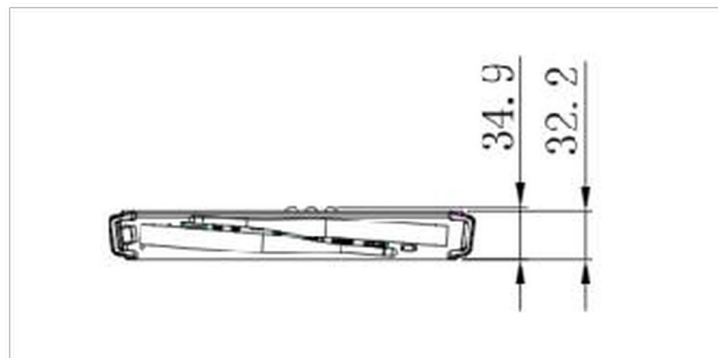
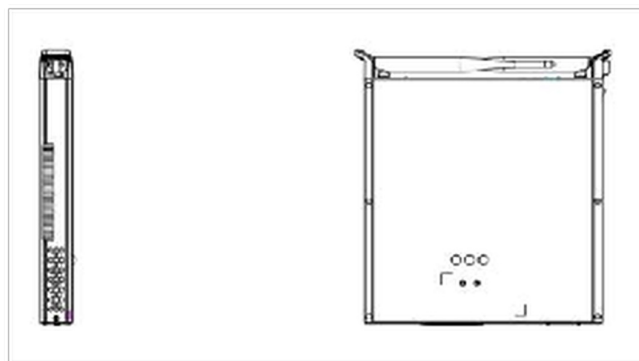
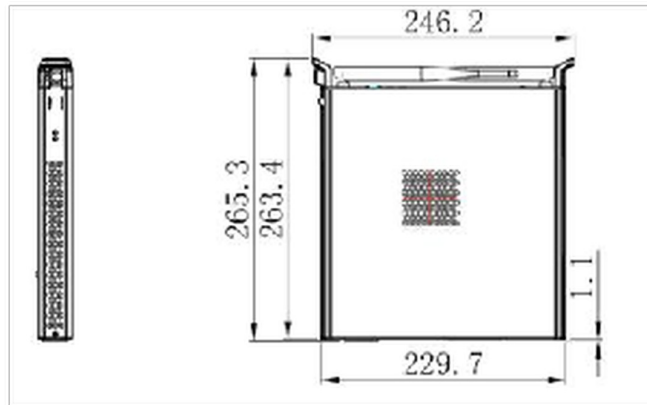
Power supply unit internal

Power supply	AC AC - 100V, 240/V, 50Hz
Power usage	105W typical, 5W stand by

03 DIMENSIONS / WEIGHT

Product dimensions W x H x D	265.3 x 34.9 x 246.2mm
Box dimensions W x H x D	317 x 103 x 358mm
Weight (without box)	1.95kg
Weight (with box)	3.25kg
EAN code	4948570033065

SPC51001BC-1



04 ENVIRONMENTAL CONDITIONS

Operation temperature range

0°C - 45°C

Operation humidity

10% - 90%

Storage temperature range

- 20°C - +2°C

Storage humidity

10% - 90%

© IYAMA CORPORATION. ALL RIGHTS RESERVED