



24" IPS 3-side borderless monitor for multi-monitor set-ups

Stylish edge-to-edge design makes the ProLite XU2493HSU perfect for multi-monitor set-ups. The IPS panel technology offers accurate and consistent colour reproduction with wide viewing angles. High contrast and brightness values mean the monitor will provide excellent performance for photographic and web design.



IPS Technology

IPS technology offers higher contrast, darker blacks and much better viewing angles than standard TN technology. The screen will look good no matter what angle you look at it.



Flicker-free + Blue light

The ultimate solution for the comfort and health of your eyes. Flicker-free monitors with the blue light reducer function substantially reduce the strain and fatigue caused by flickering and blue light emittance of regular monitors.

01 DISPLAY CHARACTERISTICS

| | |
|----------------------------|---|
| Design | 3-side borderless |
| Diagonal | 23.8", 60.5cm |
| Panel | IPS panel technology LED, matte finish |
| Native resolution | 1920 x 1080 @75Hz (DisplayPort&HDMI, 2.1 megapixel Full HD) |
| Aspect ratio | 16:9 |
| Panel brightness | 250 cd/m ² |
| Static contrast | 1000:1 |
| Advanced contrast | 80M:1 |
| Response time (GTG) | 4ms |
| Viewing zone | horizontal/vertical: 178°/178°, right/left: 89°/89°, up/down: 89°/89° |
| Colour support | 16.7mIn (sRGB: 96%; NTSC: 72%) |
| Horizontal Sync | 30 - 85kHz |
| Viewable area W x H | 527 x 296.5mm, 20.7 x 11.7" |
| Pixel pitch | 0.275mm |
| Colour | matte, black |

02 INTERFACES / CONNECTORS / CONTROLS

| | |
|----------------------------|---|
| Signal input | VGA x1 (1920 x 1080 @60Hz) HDMI x1 (1920 x 1080 @75Hz) DisplayPort x1 (1920 x 1080 @75Hz) |
| HDCP | yes |
| Headphone connector | yes |

03 FEATURES

| | |
|---------------------------|--|
| Blue light reducer | yes |
| Flicker free | yes |
| Extra | i-style Colour |
| OSD languages | EN, DE, FR, IT, RU, JP, CZ, NL, PL |
| Control buttons | Power, Menu, + / Volume, - / Eco, Signal/ Exit |
| User controls | picture adjust (brightness, contrast, i-Style colour, ACR, Eco, OD, X-res technology), colour settings (gamma, RGB range, colour temp.), image settings (auto adjust, clock, phase, horizontal position, vertical position, video mode adjust, BLR, sharp and soft), OSD (OSD H. Position, OSD V. Position, OSD time, OSD background, language), extra (reset DDC / CI, signal select, audio input, LED, opening logo, Adaptive Sync, display information) |
| Speakers | 2 x 2W |
| Convenience | Kensington-lock™ prepared, DDC/CI, DDC2B, Mac OSX |

04 MECHANICAL

| | |
|-------------------------------------|---------------------|
| Display position adjustments | tilt |
| Tilt angle | 21.5° up; 3.5° down |
| VESA mounting | 100 x 100mm |

05 ACCESSORIES INCLUDED

| | |
|---------------|---------------------------------|
| Cables | power, HDMI |
| Other | quick start guide, safety guide |

06 POWER MANAGEMENT

| | |
|-------------------|---|
| Power supply unit | internal |
| Power supply | AC 100 - 240V, 50/60Hz |
| Power usage | 16W typical, 0.5W stand by, 0.5W off mode |

07 SUSTAINABILITY

| | |
|-------------|--|
| Regulations | CE, TÜV-Bauart, EAC, VCCI-B, PSE, RoHS support, ErP, WEEE, REACH, ENERGY STAR [®] , UKCA (*This model meets old ENERGY STAR [®] criteria only) |
|-------------|--|

| | |
|---|---|
| Energy efficiency class (Regulation (EU) 2017/1369) | E |
|---|---|

| | |
|------------|------------------|
| REACH SVHC | above 0.1%: Lead |
|------------|------------------|

08 DIMENSIONS / WEIGHT

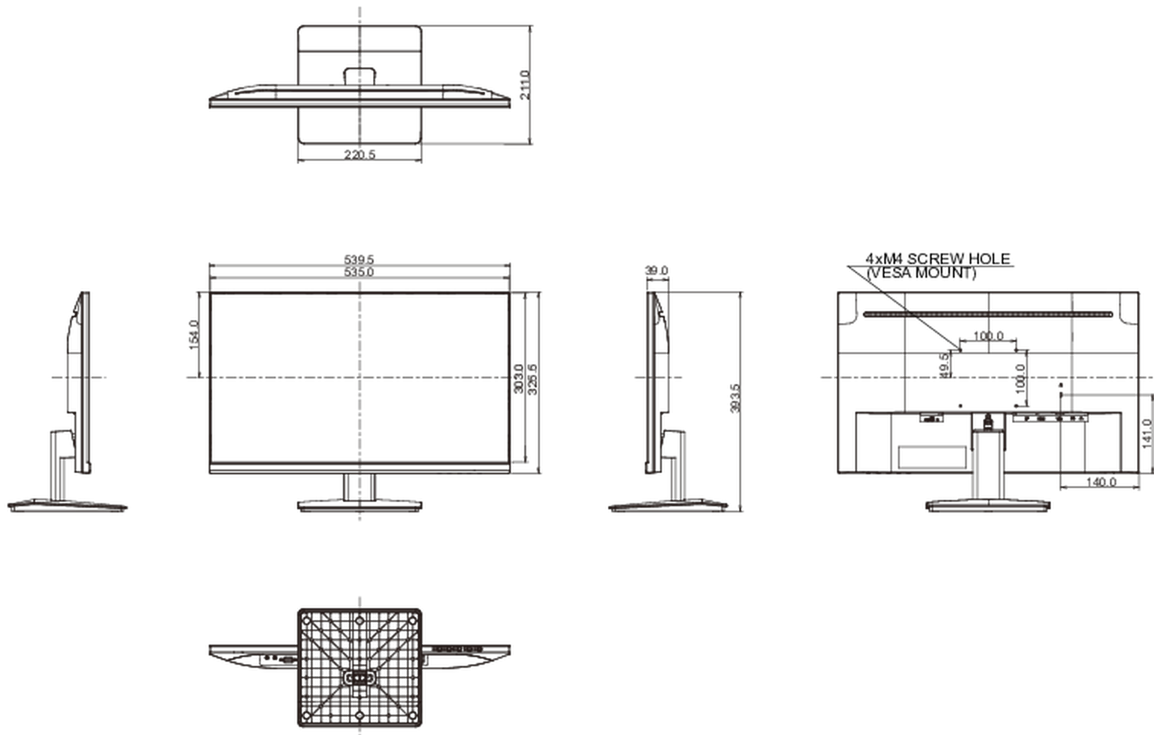
| | |
|------------------------------|------------------------|
| Product dimensions W x H x D | 539.5 x 393.5 x 21.1mm |
|------------------------------|------------------------|

| | |
|--------------------------|-------------------|
| Box dimensions W x H x D | 607 x 401 x 127mm |
|--------------------------|-------------------|

| | |
|----------------------|-------|
| Weight (without box) | 3.5kg |
|----------------------|-------|

| | |
|-------------------|-------|
| Weight (with box) | 4.9kg |
|-------------------|-------|

| | |
|----------|---------------|
| EAN code | 4948570118786 |
|----------|---------------|



All trademarks and registered trademarks acknowledged. E & O E. Specification subject to change without notice. All LCD's comply with ISO-9241-307:2008 in connection with pixel defects.