



### 50" 4K UHD Professional Digital Signage display

Enjoy brighter signage with the ProLite 42 Series. Delivering a slim bezel, 4K UHD, 500cd/m<sup>2</sup> brightness display, which can be operated 18/7 in landscape and portrait orientation, whatever the application. Thanks to the Android OS, you can easily customize the display by installing applications directly to it, making it the perfect choice for Digital Signage and In-store communication. The Intel® SDM Slot provides embedded PC option for total flexibility, security and control, while FailOver feature ensures your content is always actively displayed through your choice of inputs.



#### Signal FailOver

FailOver is a feature which automatically detects input sources. When there is no signal on the default input it will automatically switch to the next available input. FailOver allows customers to prioritize a number of inputs (incl. Browser, Media Player and Custom) and ensures your content is always actively displayed, assuring active content at all times.



#### Android OS

Thanks to Android OS, you can easily customize the display to your needs by installing applications directly to it.

## 01 DISPLAY CHARACTERISTICS

Design	Thin bezel
Diagonal	49.5", 125.7cm
Panel	VA, haze 2%
Native resolution	3840 x 2160 @60Hz (8.3 MegaPixels 4K UHD)
Aspect ratio	16:9
Panel brightness	500 cd/m <sup>2</sup>
Static contrast	4000:1
Response time (GTG)	8ms
Viewing zone	horizontal/vertical: 178°/178°, right/left: 89°/89°, up/down: 89°/89°
Colour support	1.07G (8 Bits+FRC)
Horizontal Sync	30 - 80kHz
Viewable area W x H	1095.8 x 616.4mm, 43.1 x 24.3"
Bezel width (sides, top, bottom)	14.9mm, 14.9mm, 14.9mm
Pixel pitch	0.285mm
Bezel colour and finish	black, matte

## 02 INTERFACES / CONNECTORS / CONTROLS

Analog signal input	VGA x1 (DVI-I: VGA+DVI)
Digital signal input	DVI x1 (max. 1920x1080 @60Hz) HDMI x3 (v.2.0, max. 3840x2160 @60Hz) DisplayPort x1 (v.1.4, max. 3840x2160 @60Hz)
Audio input	Mini jack x1 (3.5mm)
Monitor control input	RS-232c x1 (2.5mm sub-mini jack) RJ45 (LAN) x1 IR x1 (3.5mm stereo mini)
Digital signal output	DisplayPort x1 (max. 3840x2160 @60Hz, MST-out Daisy Chain)
Audio output	Mini jack x1 (3.5mm) Speakers 2 x 10W
Monitor control output	RS-232c x1 IR loop through x1 (3.5mm stereo mini)
HDCP	v.2.2
USB ports	x2 (v.2.0)

## 03 FEATURES

Integrated software	Android OS 8.0 (Full HD), EShare, iiSignage
WiFi	optional
Hardware	CPU: MTK96+MSB6000, CA73*2+A53*2, Memory: 3GB DDR4, Storage: 32GB eMMC
Extra	Intel® SDM-L, micro SD card slot, OTA firmware update
Max. non-stop operating time	18/7
Anti image retention	yes
Media playback	yes
Housing (bezel)	metal

## 04 GENERAL

OSD languages	EN, DE, FR, ES, IT, CN, RU, JP, CZ, NL, PL
---------------	--

<b>Control buttons</b>	Power, Mute, Input, Plus, Minus, Up, Down, Menu
<b>User controls</b>	picture (brightness, contrast, sharpness, black level, tint, colour, noise reduction, gamma selection, colour temperature, colour control, smart power, overscan, picture reset), screen (H. position, V. position, clock, clock phase, zoom mode, custom zoom, auto adjust, screen reset), audio (balance, treble, bass, volume, audio out, maximum volume, minimum volume, mute, audio source, audio reset, audio out sync, speaker setting), configuration 1 (switch on state, panel saving, RS232-routing, boot on source, WOL, configuration 1 reset, factory reset), configuration 2 (OSD turn off, OSD H-Position, OSD V-position, system rotation, information OSD, logo, monitor ID, heat status, monitor information, DP version, HDMI version, configuration 2 reset), advanced option (IR control, power LED light, keyboard control, tiling, off timer, schedule, HDMI with one wire, HDMI with one wire power off, FailOver, language, OSD transparency, power save, SDM settings, advanced option reset), Android settings (network, signage display, apps, display, security, date & time, developer options, about)
<b>Plug&amp;Play</b>	DDC2B

## 05 MECHANICAL

<b>Orientation</b>	landscape, portrait
<b>Fanless design</b>	yes
<b>VESA mounting</b>	400 x 400mm
<b>Operation temperature range</b>	0°C - 40°C
<b>Storage temperature range</b>	- 20°C - 60°C
<b>MTBF</b>	50.000 hours (excluding backlight)

## 06 ACCESSORIES INCLUDED

<b>Cables</b>	power, HDMI, RS-232c
<b>Guides</b>	quick start guide, safety guide
<b>Other</b>	Stickers for screw holes
<b>Remote control</b>	yes (batteries included)

## 07 POWER MANAGEMENT

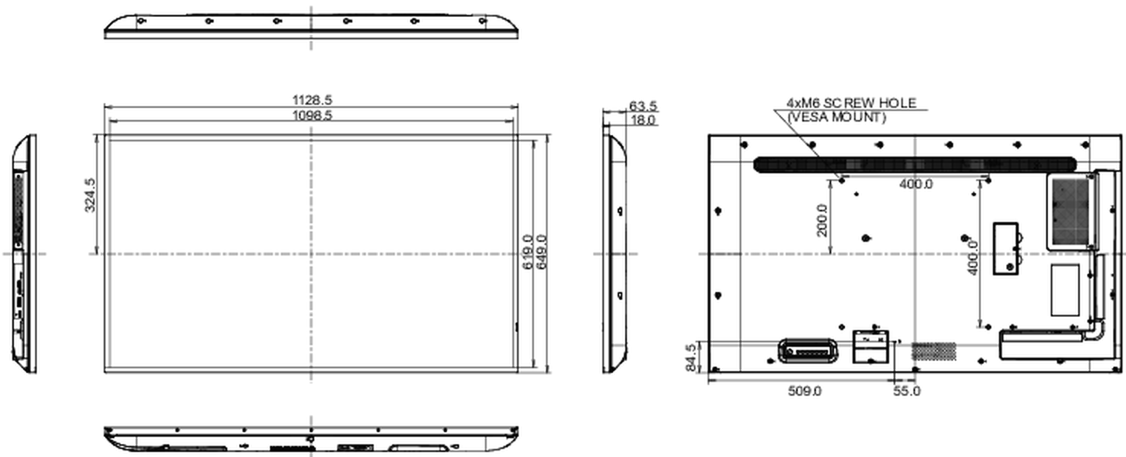
<b>Power supply unit</b>	internal
<b>Power supply</b>	AC 100 - 240V, 50/60Hz
<b>Power usage</b>	147W typical, 0.5W stand by, 0.5W off mode

## 08 SUSTAINABILITY

<b>Regulations</b>	CE, TÜV-Bauart, EAC, RoHS support, ErP, WEEE, REACH, UKCA
<b>Energy efficiency class (Regulation (EU) 2017/1369)</b>	G

## 09 DIMENSIONS / WEIGHT

<b>Product dimensions W x H x D</b>	1128.4 x 649 x 63.5mm
<b>Box dimensions W x H x D</b>	1230 x 800 x 142mm
<b>Weight (without box)</b>	14.8kg
<b>Weight (with box)</b>	18.5kg
<b>EAN code</b>	4948570118588



© IIYAMA CORPORATION. ALL RIGHTS RESERVED