



**50" 4K UHD Professional Digital Signage 24/7 display (Landscape and Portrait) featuring Android OS, FailOver and Intel® SDM slot**

The ideal all-in-one solution for environments where performance and reliability are mission critical. The iiyama ProLite LH5052UHS is a 500cd/m<sup>2</sup> high brightness professional large format display with a 24/7 operating time. On-board Android 8.0 OS means you can easily customize the display to your needs and install applications directly to it. The embedded option of Nsign\* empowers you to create and schedule a range of content across multiple screens using a powerful cloud-based solution. The Intel® SDM Slot provides embedded PC option for total flexibility, security and control, while the FailOver feature ensures your content is always actively displayed through your choice of inputs.

\*Nsign license required – please see our [nsign landing page](#) for more information



Signal FailOver

FailOver is a feature which automatically detects input sources. When there is no signal on the default input it will automatically switch to the next available input. FailOver allows customers to prioritize a number of inputs (incl. Browser, Media Player and Custom) and ensures your content is always actively displayed, assuring active content at all times.



Android OS

Thanks to Android OS, you can easily customize the display to your needs by installing applications directly to it.

## 01 DISPLAY CHARACTERISTICS

Design	Thin bezel
Diagonal	49.5", 125.7cm
Panel	VA, matte finish, haze 28%
Native resolution	3840 x 2160 @60Hz (8.3 MegaPixels 4K UHD)
Aspect ratio	16:9
Panel brightness	500 cd/m <sup>2</sup>
Static contrast	4000:1
Response time (GTG)	8ms
Viewing zone	horizontal/vertical: 178°/178°, right/left: 89°/89°, up/down: 89°/89°
Colour support	1.07B 8bit+FRC
Horizontal Sync	30 - 80kHz
Viewable area W x H	1095.84 x 616.41mm, 43.1 x 24.3"
Bezel width (sides, top, bottom)	14.9mm, 14.9mm, 14.9mm
Pixel pitch	0.285mm
Bezel colour and finish	black, matte

## 02 INTERFACES / CONNECTORS / CONTROLS

Analog signal input	VGA x1 (DVI-I: VGA+DVI)
Digital signal input	DVI x1 (max. 1920x1080 @60Hz) HDMI x3 (v.2.0, max. 3840x2160 @60Hz) DisplayPort x1 (v.1.4, max. 3840x2160 @60Hz)
Audio input	Mini jack x1 (3.5mm)
Monitor control input	RS-232c x1 RJ45 (LAN) x1 IR x1 (3.5mm stereo mini)
Digital signal output	DisplayPort x1 (max. 3840x2160 @60Hz, MST-out Daisy Chain v.1.2)
Audio output	Speakers 2 x 10W
Monitor control output	RS-232c x1 IR loop through x1 (3.5mm stereo mini)
HDCP	v.2.2
USB ports	x2 (v.2.0)

## 03 FEATURES

Integrated software	Android OS 8.0 (Full HD), EShare, iiSignage
WiFi	optional
Hardware	CPU: MTK96B+MSB6000, CA73*2+A53*2, Memory: 3GB DDR4, Storage: 32GB eMMC
Extra	Intel® SDM-L, micro SD card slot
Max. non-stop operating time	24/7
Anti image retention	yes
Media playback	yes
Housing (bezel)	metal (front)

## 04 GENERAL

OSD languages	EN, DE, FR, ES, IT, CN, RU, JP, CZ, NL, PL
Control buttons	Power, Mute, Input, Plus, Minus, Up, Down, Menu

## User controls

picture (brightness, contrast, sharpness, black level, tint, color, noise reduction, gamma selection, color temperature, color control, smart power, over scan, picture reset), screen (H. position, V. position, clock, clock phase, zoom mode, custom zoom, auto adjust, screen reset), Audio (balance, treble, bass, volume, audio out, maximum volume, minimum volume, mute, audio source, audio reset, audio out sync, speaker setting), configuration 1 (switch on state, panel saving, RS232-routing, boot on source, WOL, configuration 1 reset, factory reset), Configuration 2 (OSD turn off, OSD H-Position, OSD V-position, rotation, information OSD, logo, monitor ID, heat status, monitor information, DP version, HDMI version, configuration 2 reset), advanced option (IR control, power LED light, keyboard control, tiling, off timer, schedule, HDMI with one wire, HDMI with one wire power off, FailOver, language, OSD transparency, power save, SDM settings, advanced option reset), Android settings (network, signage display, apps, display, security, date & time, developer options, about)

## Plug&Play

DDC2B

## 05 MECHANICAL

### Orientation

landscape, portrait

### Fanless design

yes

### VESA mounting

400 x 400mm

### Operation temperature range

0°C - 40°C

### Storage temperature range

- 20°C - 60°C

### MTBF

50.000 hours (excluding backlight)

## 06 ACCESSORIES INCLUDED

### Cables

power, HDMI, RS-232c

### Guides

quick start guide, safety guide

### Other

Stickers for screw holes

### Remote control

yes (batteries included)

## 07 POWER MANAGEMENT

### Power supply unit

internal

### Power supply

AC 100 - 240V, 50/60Hz

### Power usage

147W typical, 0.5W stand by, 0.5W off mode

## 08 SUSTAINABILITY

### Regulations

CB, CE, TÜV-Bauart, EAC, RoHS support, ErP, WEEE, REACH

### Energy efficiency class (Regulation (EU) 2017/1369)

G

## 09 DIMENSIONS / WEIGHT

### Product dimensions W x H x D

1128.4 x 649 x 63.5mm

### Box dimensions W x H x D

1230 x 142 x 800mm

### Weight (without box)

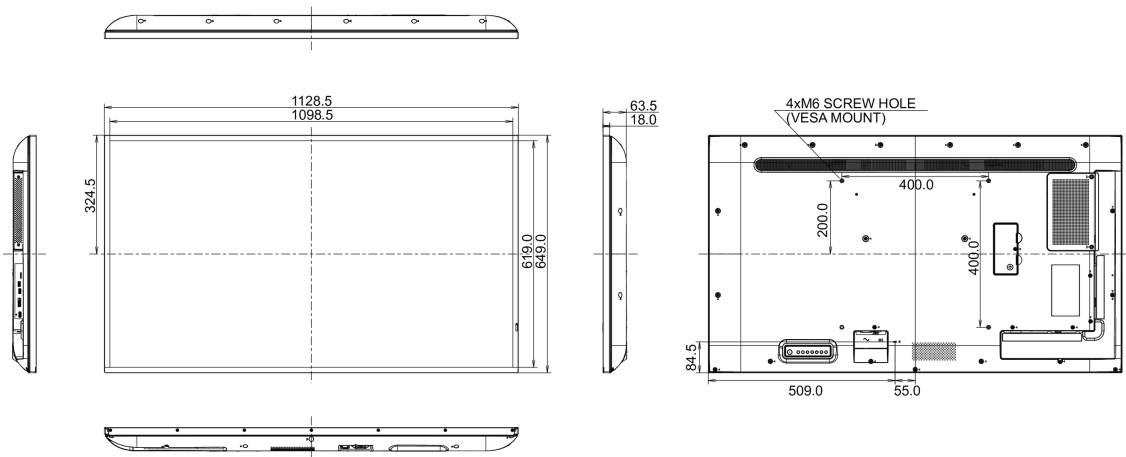
14.8kg

### Weight (with box)

18.5kg

### EAN code

4948570118489



All trademarks and registered trademarks acknowledged. E & O E. Specification subject to change without notice. All LCD's comply with ISO-9241-307:2008 in connection with pixel defects.

© IYAMA CORPORATION. ALL RIGHTS RESERVED