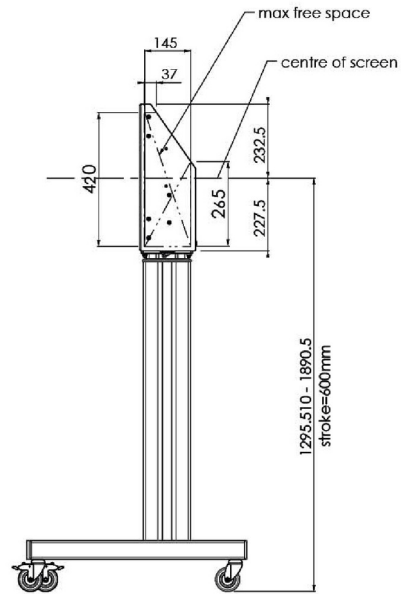
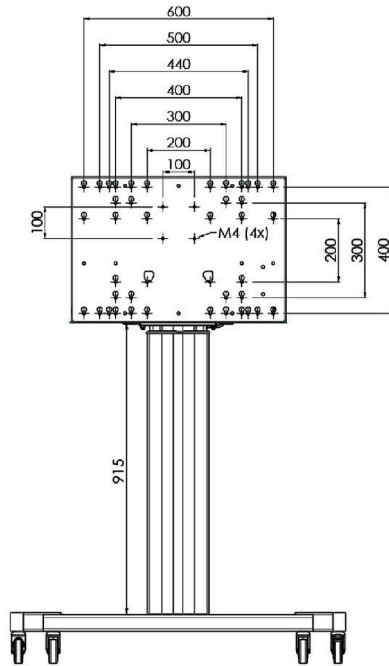
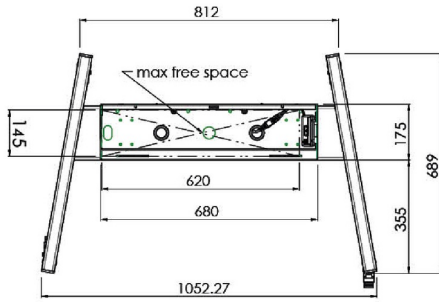


### XL Car on wheels for large format (touch) displays up to 86"

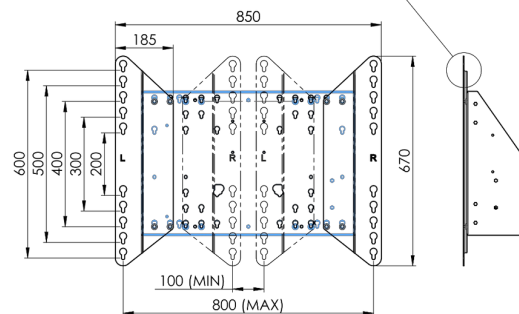
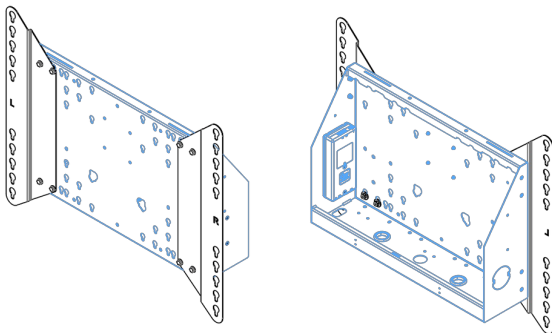
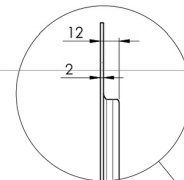
This mobile floor solution with electric height adjustment can be used for (touch) displays up to 86 inch, 120 kg. The lift is equipped with an integrated bracket with the most common VESA patterns. A special feature of this VESA bracket is that it can also serve as a PC holder on the back. The lift offers ease of installation for the installer: with just three actions, the product is ready for use. This kit includes the adapter set [MD 052B7288](#).

#### 01 TECHNICAL SPECIFICATION

Type	Floor lift on wheels
Screen size	65" - 86"
Height adjustment	600mm, 1290 - 1890mm
Max weight capacity	120kg / monitor
VESA maximum	800 x 600mm
Extra	electrical speed up to 20mm/s



Dimensions	mm (inch)
Revision	00
Sheet size	A4
Protection	☒
Net weight	3.66 kg
Gross weight	4.34 kg
Max. load	200.00 kg
Exception VESA 400x500/500	
Max. load	140.00 kg



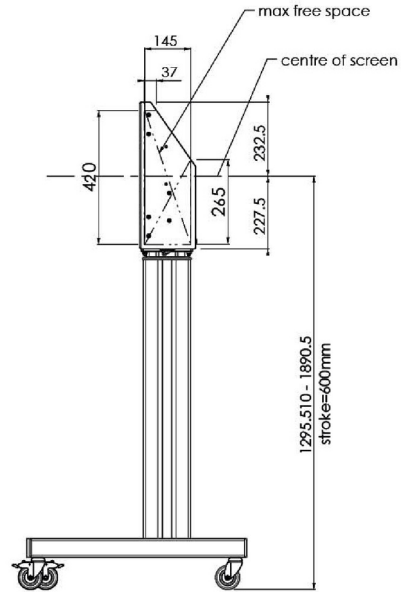
## 02 DIMENSIONS / WEIGHT

Weight (without box)

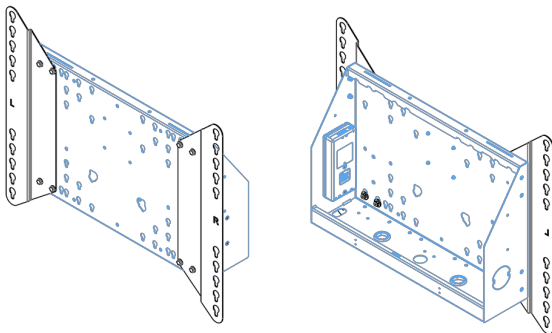
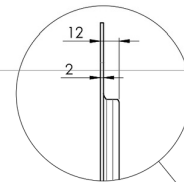
52kg

EAN code

4948570032600



Dimensions	mm (inch)
Revision	00
Sheet size	A4
Protection	IP-3
Net weight	3.66 kg
Gross weight	4.34 kg
Max. load	200.00 kg
Exception VESA 400x500/500	
Max. load	140.00 kg



### 03 RELATED INFORMATION

Related products

[MD 052B7285](#)

*All trademarks and registered trademarks acknowledged. E & O E. Specification subject to change without notice. All LCD's comply with ISO-9241-307:2008 in connection with pixel defects.*

© IYAMA CORPORATION. ALL RIGHTS RESERVED