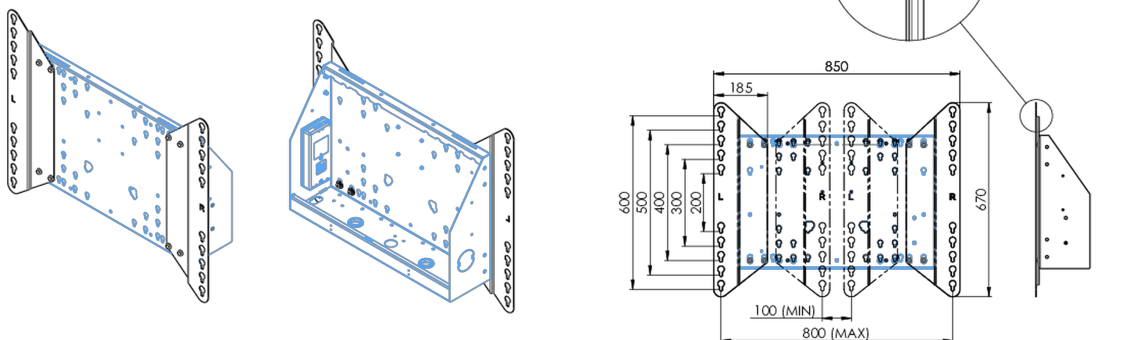


## Adapter for floor lifts

Expansion set for floor lifts and cars, increases VESA compatibility from standard 600x400 up to max. 800x600.

### 01 TECHNICAL SPECIFICATION

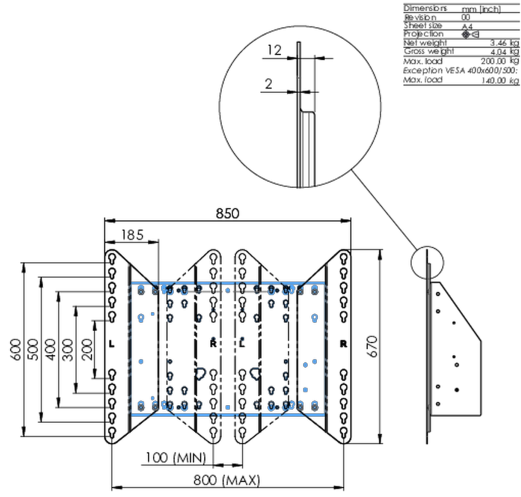
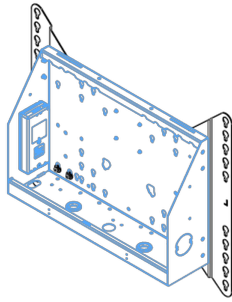
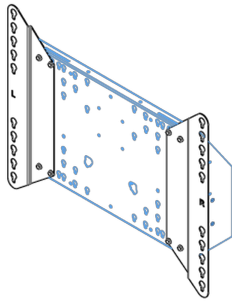
Type	Adapter set
Max weight capacity	200kg / monitor
VESA minimum	800 x 200mm
VESA maximum	800 x 600mm



Dimensions	mm (inch)
Weight	3.46 kg
Steel Size	A4
Production	China
Net weight	3.46 kg
Gross weight	4.04 kg
Work load	200.00 kg
Exception VESA	400x600/500
Max. load	1.40.00 kg

### 02 DIMENSIONS / WEIGHT

Weight (without box)	3.46kg
EAN code	4948570032570



### 03 RELATED INFORMATION

Related products

[MD 062B7275 A](#), [MD 062B7295](#), [MD 052W7150](#)

© IIYAMA CORPORATION. ALL RIGHTS RESERVED