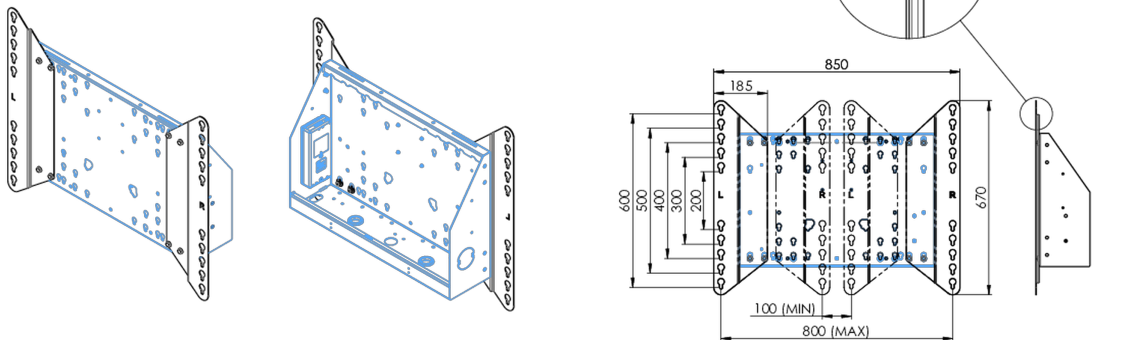


Adapter for floor lifts

Expansion set for floor lifts and cars, increases VESA compatibility from standard 600x400 up to max. 800x600.

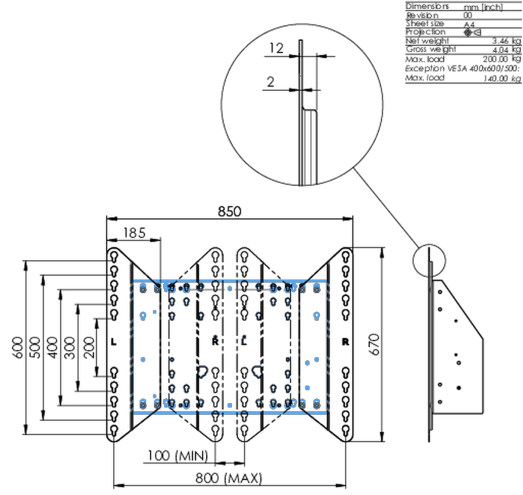
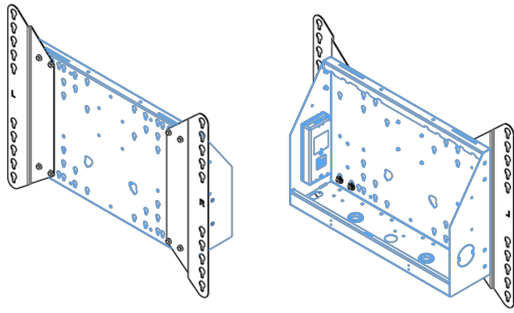
01 TECHNICAL SPECIFICATION

| | |
|---------------------|-----------------|
| Type | Adapter set |
| Max weight capacity | 200kg / monitor |
| VESA minimum | 800 x 200mm |
| VESA maximum | 800 x 600mm |



02 DIMENSIONS / WEIGHT

| | |
|----------------------|---------------|
| Weight (without box) | 3.46kg |
| EAN code | 4948570032570 |



03 RELATED INFORMATION

Related products

[MD 062B7275 A](#), [MD 062B7295](#), [MD 052W7150](#)

All trademarks and registered trademarks acknowledged. E & O E. Specification subject to change without notice. All LCD's comply with ISO-9241-307:2008 in connection with pixel defects.

© IYAMA CORPORATION. ALL RIGHTS RESERVED