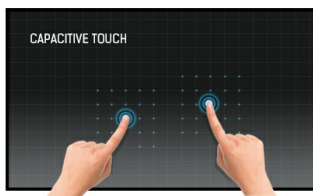




### 15.6" Full HD PCAP 10 point touch monitor with edge-to-edge glass and IPS Panel Technology

The ProLite T1634MC-B7X uses projective capacitive touch technology, built into an eye catching bezel with edge-to-edge glass. Featuring IPS Panel Technology and Full HD (1920x1080) resolution, it offers natural, highly accurate colours and wide viewing angles. In addition to the superb image quality, the screen comes with an IP65 rating, which means the screen and bezel is totally dust and water resistant, making it a perfect solution for demanding environments.



#### Touch technology - Capacitive

This technology uses a sensor-grid of micro-fine wires integrated into the glass that covers the screen. Touch is detected because electrical characteristics of the sensor grid change when human finger is placed on the glass. Thanks to the glass overlay this technology is highly durable, and the touch function remains unaffected even if the glass is scratched. It offers perfect picture performance and will work with human finger (also latex gloved) and stylus-pen.



#### Full HD

With true 1920 x 1080p resolution your monitor is ready to display high definition images. This means you can accommodate more information on your screen; e.g. 60% more in comparison to a 1280 x 1024 monitor.

## 01 DISPLAY CHARACTERISTICS

<b>Design</b>	Edge to edge glass
<b>Diagonal</b>	15.6", 39.5cm
<b>Panel</b>	IPS Panel Technology LED
<b>Native resolution</b>	1920 x 1080 @60Hz (2.1 megapixel)
<b>Aspect ratio</b>	16:9
<b>Panel brightness</b>	450 cd/m <sup>2</sup>
<b>Brightness</b>	405 cd/m <sup>2</sup> with touch
<b>Light transmittance</b>	90%
<b>Static contrast</b>	700:1 with touch
<b>Response time (GTG)</b>	25ms
<b>Viewing zone</b>	horizontal/vertical: 178°/178°, right/left: 89°/89°, up/down: 89°/89°
<b>Colour support</b>	16.2mln (6bit + Hi-FRC)
<b>Horizontal Sync</b>	30 - 84kHz
<b>Viewable area W x H</b>	344.2 x 193.6mm, 13.6 x 7.6"
<b>Pixel pitch</b>	0.179mm
<b>Bezel colour and finish</b>	black, matte

## 02 TOUCH

<b>Touch technology</b>	projective capacitive
<b>Touch points</b>	10 (HID, only with supported OS)
<b>Touch method</b>	stylus, finger, glove (latex)
<b>Touch interface</b>	USB2.0 (USB-C input connector)
<b>Supported operating systems</b>	All iiyama monitors are Plug & Play and compatible with Windows and Linux. For details regarding the supported OS for the touch models, please refer to the driver instruction file available in the downloads section.
<b>Palm rejection</b>	yes

## 03 INTERFACES / CONNECTORS / CONTROLS

<b>Analog signal input</b>	VGA x1
<b>Digital signal input</b>	HDMI x1 DisplayPort x1
<b>HDCP</b>	yes

## 04 FEATURES

<b>Extra</b>	anti-fingerprint coating
<b>Glass thickness</b>	2.4mm
<b>Glass hardness</b>	7H
<b>Water and dust protection</b>	IP65 (front)
<b>OSD key lock</b>	yes

## 05 GENERAL

<b>OSD languages</b>	EN, DE, FR, ES, IT, CN, JP
<b>Control buttons</b>	Menu, Scroll up/ Brightness, Scroll down/ Contrast, Select, Power

<b>User controls</b>	picture (contrast, brightness, H-position, V-position, phase, clock, auto adjust), advanced (color temp, sharpness), OSD (timeout, position, H-position, V-position, touch switch), option (reset, language, source select, display mode, factory)
----------------------	--

<b>Plug&amp;Play</b>	DDC2B
----------------------	-------

## 06 MECHANICAL

<b>Orientation</b>	landscape, face-up
--------------------	--------------------

<b>Tilt angle</b>	90° up; 5° down
-------------------	-----------------

<b>VESA mounting</b>	100 x 100mm
----------------------	-------------

## 07 ACCESSORIES INCLUDED

<b>Cables</b>	power, USB, HDMI, DP
---------------	----------------------

<b>Guides</b>	quick start guide, safety guide
---------------	---------------------------------

<b>Other</b>	AC adapter
--------------	------------

## 08 POWER MANAGEMENT

<b>Power supply unit</b>	external
--------------------------	----------

<b>Power supply</b>	DC 12 V
---------------------	---------

<b>Power usage</b>	18W typical, 0.5W stand by, 0.5W off mode
--------------------	---

## 09 SUSTAINABILITY

<b>Regulations</b>	CE, EAC, RoHS support, ErP, WEEE, cULus, REACH
--------------------	--

<b>REACH SVHC</b>	above 0.1%: Lead
-------------------	------------------

## 10 DIMENSIONS / WEIGHT

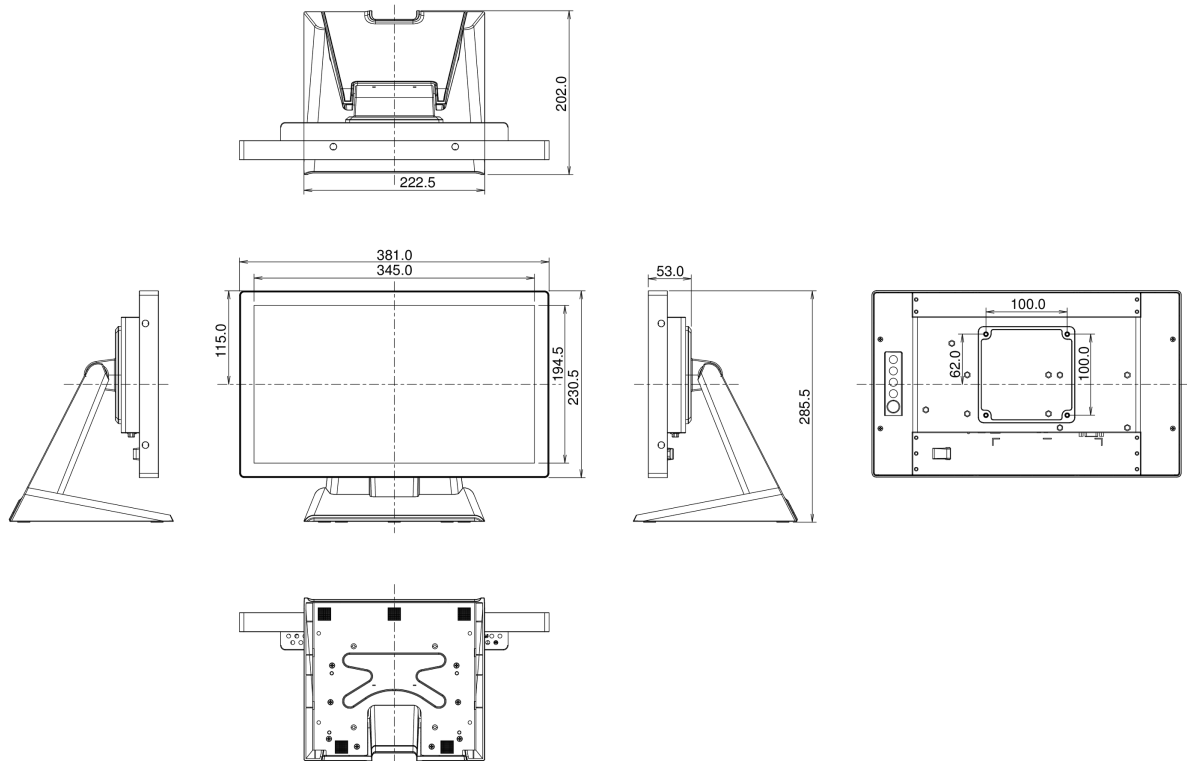
<b>Product dimensions W x H x D</b>	381 x 285.5 x 202mm
-------------------------------------	---------------------

<b>Box dimensions W x H x D</b>	455 x 365 x 290mm
---------------------------------	-------------------

<b>Weight (without box)</b>	3.6kg
-----------------------------	-------

<b>Weight (with box)</b>	6.6kg
--------------------------	-------

<b>EAN code</b>	4948570117611
-----------------	---------------



All trademarks and registered trademarks acknowledged. E & O E. Specification subject to change without notice. All LCD's comply with ISO-9241-307:2008 in connection with pixel defects.

© IYAMA CORPORATION. ALL RIGHTS RESERVED