



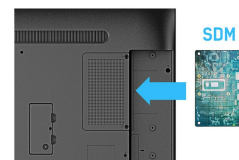
### 50" Landscape/Portrait Professional Digital Signage display, 18/7 operating time, 4K UHD resolution with Intel® SDM slot

Enjoy brighter signage with the ProLite 42 Series. Delivering a slim bezel, 500 cd/m<sup>2</sup> brightness display, which can be operated 18/7 in landscape and portrait orientation, for a choice on applications. Thanks to on-board Android 8.0, you can easily customize the display by installing applications directly to it, making it the perfect choice for Digital Signage and In-store communication.



Android OS

Thanks to Android OS, you can easily customize the display to your needs by installing applications directly to it.



Smart Display Module

A Smart Display Module (Small/Large) is a plug-in module which can easily be inserted into the most stylish and ultra-slim displays. This small sized module delivers great performance with minimum implementation and management. Available as optional.

## 01 DISPLAY CHARACTERISTICS

|                                  |   |
|----------------------------------|---|
| Design                           | Thin bezel  |
| Diagonal                         | 49.5", 125.7cm  |
| Panel                            | VA, matte finish, haze 2%   |
| Native resolution                | 3840 x 2160 @60Hz (8.3 MegaPixels 4K UHD)                             |
| Aspect ratio                     | 16:9  |
| Panel brightness                 | 500 cd/m <sup>2</sup>   |
| Static contrast                  | 4000:1  |
| Response time (GTG)              | 8ms   |
| Viewing zone                     | horizontal/vertical: 178°/178°, right/left: 89°/89°, up/down: 89°/89° |
| Colour support                   | 1.07B 10bit   |
| Horizontal Sync                  | 30 - 80kHz  |
| Viewable area W x H              | 1095.84 x 616.41mm, 43.1 x 24.3"                                      |
| Bezel width (sides, top, bottom) | 14.9mm, 14.9mm, 14.9mm  |
| Pixel pitch                      | 0.2854mm  |
| Bezel colour and finish          | black, matte  |

## 02 INTERFACES / CONNECTORS / CONTROLS

|                        |  |
|------------------------|--|
| Analog signal input    | VGA x1 (max. 1920x1080 @60Hz)  |
| Digital signal input   | DVI x1 (max. 1920x1080 @60Hz)<br>HDMI x2 (max. 3840x2160 @60Hz)                |
| Audio input            | Mini jack x1 (3.5mm)   |
| Monitor control input  | RS-232c x1 (2.5mm sub-mini jack)<br>RJ45 (LAN) x1<br>IR x1 (3.5mm stereo mini) |
| Audio output           | S/PDIF (Optical) x1<br>Speakers 2 x 10W  |
| Monitor control output | RS-232c x1<br>IR loop through x1 (3.5mm stereo mini)                           |
| HDCP                   | yes  |
| USB ports              | x2 (v.2.0 x1, v.3.0 x1)  |

## 03 FEATURES

|                              |   |
|------------------------------|---|
| Integrated software          | Android OS 8.0, EShare, iiSignage                                       |
| WiFi                         | optional  |
| Hardware                     | CPU: HiSilicon V810, CA73*2+A53*2, Memory: 2GB DDR4, Storage: 16GB eMMC |
| Extra                        | Intel® SDM-L, micro SD card slot  |
| Max. non-stop operating time | 18/7  |
| Anti image retention         | yes   |
| Media playback               | yes   |
| Housing (bezel)              | metal (front)   |

## 04 GENERAL

|                 |   |
|-----------------|---|
| OSD languages   | EN, DE, FR, ES, IT, CN, RU, JP, CZ, NL, PL      |
| Control buttons | Power, Mute, Input, Plus, Minus, Up, Down, Menu |

## User controls

picture (brightness, contrast, sharpness, black level, tint, color, noise reduction, gamma selection, color temperature, color control, smart power, over scan, picture reset), screen (H. position, V. position, clock, clock phase, zoom mode, custom zoom, auto adjust, screen reset), Audio (balance, treble, bass, volume, audio out, maximum volume, minimum volume, mute, audio source, audio reset, audio out sync), configuration 1 (switch on state, panel saving, RS232-routing, boot on source, configuration 1 reset, factory reset), Configuration 2 (OSD turn off, OSD H-Position, OSD V-position, rotation, information OSD, logo, monitor ID, monitor information, HDMI version, configuration 2 reset), Advanced option (IR control, Power LED light, keyboard control, off timer, date and time, schedule, language, OSD transparency, power save, SDM settings, advanced option reset), android settings (ethernet, signage display, system tools, apps, display, security, date & time, developer options, about)

## Plug&Play

DDC2B

## 05 MECHANICAL

**Orientation** landscape, portrait

**Fanless design** yes

**VESA mounting** 400 x 400mm

**Operation temperature range** 0°C - 40°C

**Storage temperature range** - 20°C - 60°C

**MTBF** 50.000 hours (excluding backlight)

## 06 ACCESSORIES INCLUDED

**Cables** power, HDMI, RS-232c

**Guides** quick start guide, safety guide

**Other** Stickers for screw holes

**Remote control** yes (batteries included)

## 07 POWER MANAGEMENT

**Power supply unit** internal

**Power supply** AC 100 - 240V, 50/60Hz

**Power usage** 147W typical, 0.5W stand by, 0.5W off mode

## 08 SUSTAINABILITY

**Regulations** CB, CE, TÜV-Bauart, EAC, RoHS support, ErP, WEEE, REACH

**Energy efficiency class (Regulation (EU) 2017/1369)** G

## 09 DIMENSIONS / WEIGHT

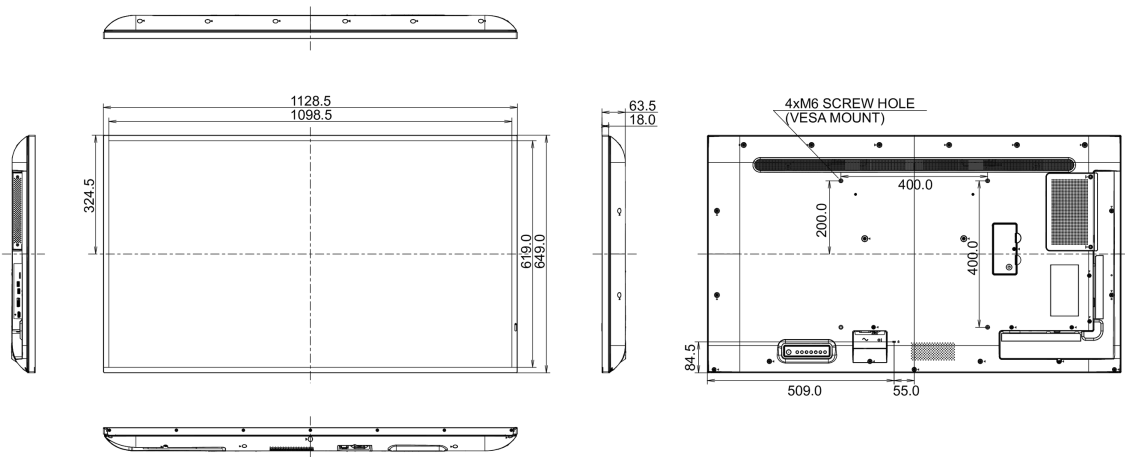
**Product dimensions W x H x D** 1128.5 x 649 x 63.5mm

**Box dimensions W x H x D** 1230 x 800 x 142mm

**Weight (without box)** 14.7kg

**Weight (with box)** 18.52kg

**EAN code** 4948570117444



© IIYAMA CORPORATION. ALL RIGHTS RESERVED