



**Full HD LED monitor with 1 ms response time and USB hub, perfect choice for home and office**

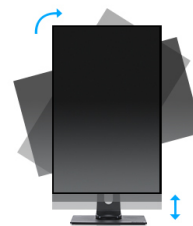
The ProLite B2483HSU is an excellent 24" Full HD LED-backlit monitor with 1920 x 1080p resolution. It features 1ms response time and 80 000 000 : 1 Advanced Contrast Ratio, assuring clear and vibrant picture quality and high contrast. Triple input support ensures compatibility with the latest installed graphics cards and embedded Notebook outputs. The ergonomic stand offers 13 cm height adjustment with pivot, swivel and tilt, making this screen suitable for a wide range of applications and environments where workplace flexibility and ergonomics are key factors. The monitor is TCO and Energy Star certified. A perfect solution for education, local government, business and finance markets.

Available also in black: [ProLite B2483HSU-B5](#)



**Flicker-free + Blue light**

The ultimate solution for the comfort and health of your eyes. Flicker-free monitors with the blue light reducer function substantially reduce the strain and fatigue caused by flickering and blue light emittance of regular monitors.



**HAS + Pivot**

With a height adjustable stand you will create an ergonomic work posture and position that meets all health and safety requirements. This will not only prevent any health issues but will also increase your productivity. The pivot function allows the screen to rotate from landscape to portrait orientation. This functionality can be useful if the application requires more height than width.

## 01 DISPLAY CHARACTERISTICS

Diagonal	24", 61cm
Panel	TN LED, matte finish
Native resolution	1920 x 1080 @75Hz (HDMI&DisplayPort, 2.1 megapixel Full HD)
Aspect ratio	16:9
Panel brightness	250 cd/m <sup>2</sup>
Static contrast	1000:1
Advanced contrast	80M:1
Response time (GTG)	1ms
Viewing zone	horizontal/vertical: 170°/160°, right/left: 85°/85°, up/down: 80°/80°
Colour support	16.7mIn (sRGB: 99%; NTSC: 72%)
Horizontal Sync	31 - 85kHz
Viewable area W x H	531.4 x 298.9mm, 20.9 x 11.8"
Pixel pitch	0.277mm
Colour	matte, white

## 02 INTERFACES / CONNECTORS / CONTROLS

Signal input	VGA x1 HDMI x1 DisplayPort x1
USB HUB	x2 (v. 2.0)
HDCP	yes
Headphone connector	yes

## 03 FEATURES

Blue light reducer	yes
Flicker free	yes
OSD languages	EN, DE, FR, ES, IT, RU, JP, CZ, NL, PL
Control buttons	Power, Menu/ Select, Scroll up/ Volume, Scroll down/ ECO, Exit, Input Select
User controls	Auto adjust, picture adjust (brightness, contrast, ECO, Blue Light Reducer, ACR, OD), geometry (H. position, V. position, pixel clock, phase), colour settings (colour temp., user preset, i-style colour), OSD (OSD H. position, OSD V. position, OSD rotate, OSD time), language, recall , miscellaneous (sharp and soft, video mode adjust, opening logo, display information), input select (input source), audio settings (volume, mute, audio input)
Speakers	2 x 1W
Convenience	Kensington-lock™ prepared, DDC2B, Mac OSX

## 04 MECHANICAL

Display position adjustments	height, pivot (rotation), swivel, tilt
Height adjustment	130mm
Rotation (PIVOT function)	90°
Swivel stand	90°; 45° left; 45° right
Tilt angle	22° up; 5° down
VESA mounting	100 x 100mm

## 05 ACCESSORIES INCLUDED

Cables	power, USB, HDMI
Other	quick start guide, safety guide

## 06 POWER MANAGEMENT

Power supply unit	internal
Power supply	AC 100 - 240V, 50/60Hz
Power usage	18W typical, 0.5W stand by, 0.5W off mode

## 07 SUSTAINABILITY

Regulations	TCO, CE, TÜV-GS, EAC, VCCI-B, PSE, RoHS support, ErP, ENERGY STAR®, WEEE, EPEAT, REACH
-------------	--

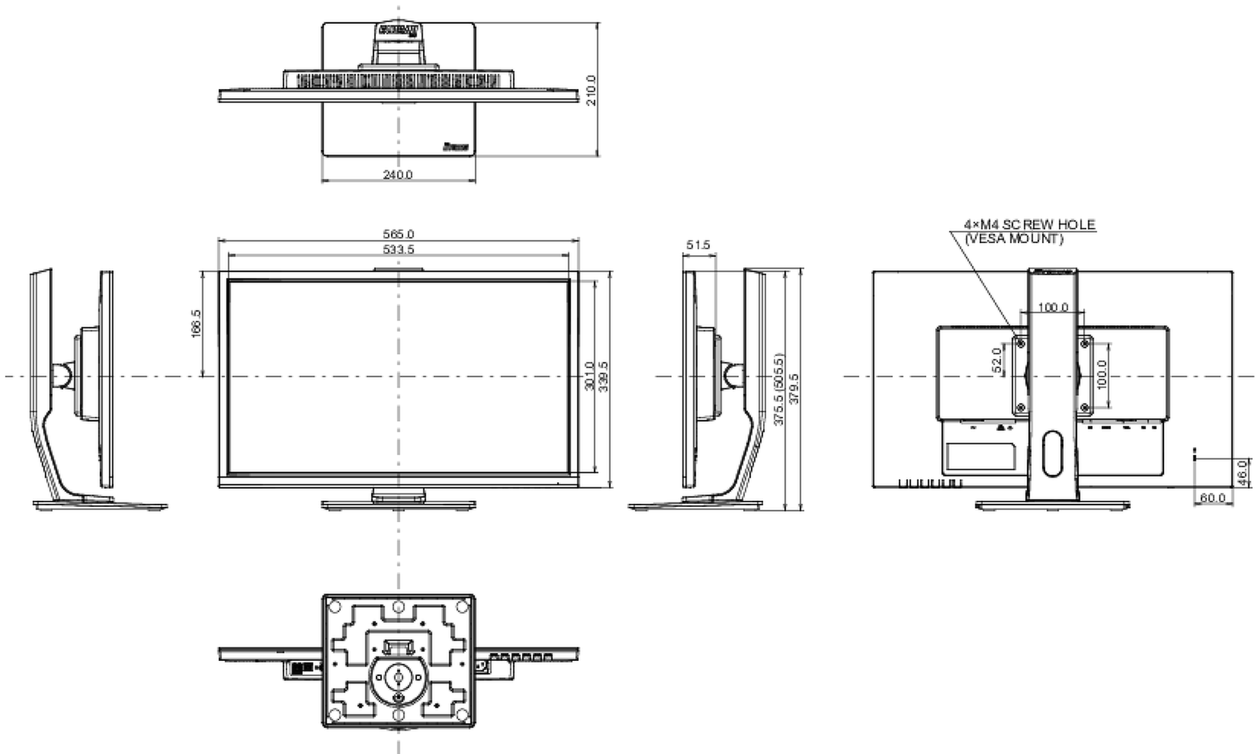
Energy efficiency class (Regulation (EU) 2017/1369)	E
---	---

EPEAT Bronze	EPEAT is a comprehensive environmental rating that helps identify greener computers and other electronic equipment. The Bronze certification means the monitor meets all required criteria. EPEAT Bronze is valid in countries where iiyama registers the product. Please visit <a href="http://www.epeat.net">www.epeat.net</a> for the registration status in your country.
--------------	---

REACH SVHC	above 0.1%: Lead
------------	------------------

## 08 DIMENSIONS / WEIGHT

Product dimensions W x H x D	565.5 x 375.5 (505.5) x 210mm
Weight (without box)	5.1kg
EAN code	4948570117420



*All trademarks and registered trademarks acknowledged. E & O E. Specification subject to change without notice. All LCD's comply with ISO-9241-307:2008 in connection with pixel defects.*

© IIYAMA CORPORATION. ALL RIGHTS RESERVED