



32" Full HD monitor featuring AH-IPS panel and Blue Light Reducer

The ProLite X3291HS is a 32" screen featuring IPS technology offering natural, highly accurate colours with wide viewing angles (178°/178°). Triple input signals HDMI, DVI and VGA. The X3291HS is equipped with speakers and the blue light reducer function to reduce eye fatigue. The screen is suitable for Digital Signage and office applications.



IPS

IPS displays are best known for wide viewing angles and natural, highly accurate colours. They are especially suited for colour-critical applications.



Blue light reducer

As we all know looking at a monitor screen for several hours per day, especially from a closer distance, causes eye fatigue. This effect is much stronger with computer screens than with TV equipment. One of the factors responsible for this phenomenon is the blue light emitted by the screen. Therefore reducing the amount of blue light ultimately allows our eyes to feel less tired while working long hours with a computer screen. We achieved it by adjusting the monitor's brightness and color temperature through a new feature called "Blue light reduction" easily accessible through the monitor's OSD menu.

01 DISPLAY CHARACTERISTICS

Diagonal	31.5", 80.1cm
Panel	AH-IPS LED, matte finish
Native resolution	1920 x 1080 @60Hz (2.1 megapixel Full HD)
Aspect ratio	16:9
Brightness	250 cd/m ² typical
Static contrast	1000:1 typical
Advanced contrast	12M:1
Response time (GTG)	5ms
Viewing zone	horizontal/vertical: 178°/178°, right/left: 89°/89°, up/down: 89°/89°
Colour support	16.7mIn 8bit (sRGB: 98%; NTSC: 73%)
Horizontal Sync	30 - 80kHz
Vertical Sync	56 - 75Hz
Viewable area W x H	698.4 x 392.9mm, 27.5 x 15.5"
Pixel pitch	0.363mm
Colour	matte, black

02 INTERFACES / CONNECTORS / CONTROLS

Signal input	VGA x1 DVI x1 HDMI x1
HDCP	yes
Headphone connector	yes

03 FEATURES

Blue light reducer	yes
OSD languages	EN, DE, FR, IT, CN, RU, JP, NL, PL
Control buttons	Power, Menu, +/- Volume / Blue Light Reducer, - / ECO, Auto
User controls	picture adjust (contrast, brightness, i-Style colour, OD, ACR, ECO), colour adjust (colour temp.), manual image adjust (clock, phase, H. position, V. position, black tuner, video mode adjust), OSD setup (H. position, V. position, OSD timeout, language), extra (reset, input select, opening logo, audio input, memorize setting, information, volume, auto adjust)
Speakers	2 x 3W
Convenience	Kensington-lock™ prepared, DDC2B, Mac OSX

04 MECHANICAL

Display position adjustments	tilt
Tilt angle	21° up; 3° down
VESA mounting	100 x 100mm

05 ACCESSORIES INCLUDED

Cables	power, DVI, Audio
Other	quick start guide, safety guide

06 POWER MANAGEMENT

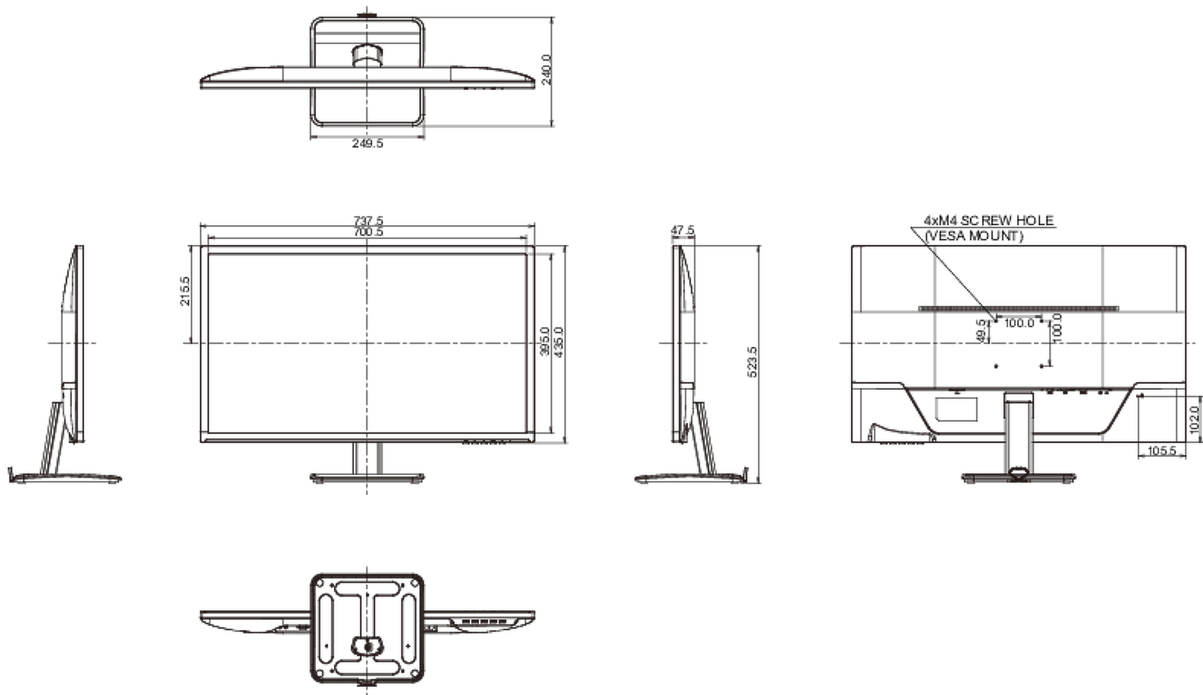
Power supply unit	internal
Power supply	AC 100 - 240V, 50/60Hz
Power usage	36W typical, 0.5W stand by, 0.5W off mode

07 SUSTAINABILITY

Regulations	CE, TÜV-Bauart, PSE, RoHS support, ErP, WEEE, VCCI, REACH
Energy efficiency class	A
Other	REACH SVHC above 0.1%: Lead

08 DIMENSIONS / WEIGHT

Product dimensions W x H x D	737.5 x 523.5 x 240mm
Weight (without box)	7kg
EAN code	4948570114573



09 EU ENERGY EFFICIENCY LABEL

Manufacturer	iiyama
Model	ProLite X3291HS-B1
Energy efficiency class	A
Visible screen diagonal	80.1cm; 31.5"; (32" segment)
ON mode power consumption	38W
Annual energy consumption	55kWh/annum*
Power in Standby	0.5W stand by
Power in OFF Mode	0.5W off mode
Resolution	1920 x 1080

*This is information under Regulation (EU) No 1062/2010.*Based on the power consumption of the television operating 4 hours per day for 365 days. The actual energy consumption will depend on how the television is used.*

All trademarks and registered trademarks acknowledged. E & O E. Specification subject to change without notice. All LCD's comply with ISO-9241-307:2008 in connection with pixel defects.

© IYAMA CORPORATION. ALL RIGHTS RESERVED