



22" Full HD monitor with VA panel and a height adjustable stand

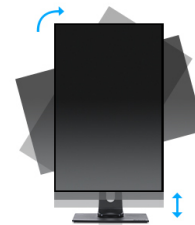
The ProLite XUB2294HSU featuring VA panel technology guarantees accurate and consistent colour reproduction with wide viewing angles. Triple input configuration (VGA, HDMI, DisplayPort) and a USB hub assure compatibility with many platforms. The height adjustable stand with PIVOT function allows you to easily adjust the monitor position to your preferences making it a solid solution for both home and the office.

Available also with fixed stand: [ProLite XU2294HSU-B1](#) and in white: [ProLite XUB2294HSU-W1](#)



VA matrix

VA panel technology offers higher contrast, darker blacks and much better viewing angles than standard TN technology. The screen will look good no matter what angle you look at it.



HAS + Pivot

With a height adjustable stand you will create an ergonomic work posture and position that meets all health and safety requirements. This will not only prevent any health issues but will also increase your productivity. The pivot function allows the screen to rotate from landscape to portrait orientation. This functionality can be useful if the application requires more height than width.

01 DISPLAY CHARACTERISTICS

Design	ultra slim
Diagonal	21.5", 54.6cm
Panel	VA, matte finish
Native resolution	1920 x 1080 @75Hz (HDMI&DisplayPort, 2.1 megapixel Full HD)
Aspect ratio	16:9
Brightness	250 cd/m ² typical
Static contrast	3000:1 typical
Advanced contrast	80M:1
Response time (GTG)	4ms
Viewing zone	horizontal/vertical: 178°/178°, right/left: 89°/89°, up/down: 89°/89°
Colour support	16.7mIn (sRGB: 99%; NTSC: 72%)
Horizontal Sync	30 - 83kHz
Vertical Sync	55 - 75Hz
Viewable area W x H	476 x 267.8mm, 18.7 x 10.5"
Pixel pitch	0.248mm
Colour	matte

02 INTERFACES / CONNECTORS / CONTROLS

Signal input	VGA x1 (1920 x 1080 @60Hz) HDMI x1 (1920 x 1080 @75Hz) DisplayPort x1 (1920 x 1080 @75Hz)
USB HUB	x2 (v.2.0)
HDCP	yes
Headphone connector	yes

03 FEATURES

Blue light reducer	yes
Flicker free	yes
OSD languages	EN, DE, FR, ES, IT, RU, JP, CZ, NL, PL
Control buttons	Power, Menu/ Select, Scroll up/ Volume, Scroll Down/ ECO, Exit, Input
User controls	auto adjust, picture adjust (brightness, contrast, ECO, Blue Light Reducer, ACR, OD), geometry (H. position, V. position, pixel clock, phase), colour settings (colour temp., user preset, i-Style colour), OSD (OSD H. position, OSD V. position, OSD rotate, OSD time), language, recall, miscellaneous (sharp and soft, video mode adjust, opening logo, display information), input select (input source), audio settings (volume, mute, audio input)
Speakers	2 x 1W
Convenience	Kensington-lock™ prepared, DDC2B, Mac OSX

04 MECHANICAL

Display position adjustments	height, swivel, tilt, pivot (rotation both sides)
Height adjustment	130mm
Rotation (PIVOT function)	90°
Swivel stand	90°; ° left; 45° right
Tilt angle	22° up; 5° down
VESA mounting	100 x 100mm

Operation temperature range	5°C - 35°C
Storage temperature range	- 20°C - %2°C

05 ACCESSORIES INCLUDED

Cables	power, USB, HDMI
Other	quick start guide, safety guide

06 POWER MANAGEMENT

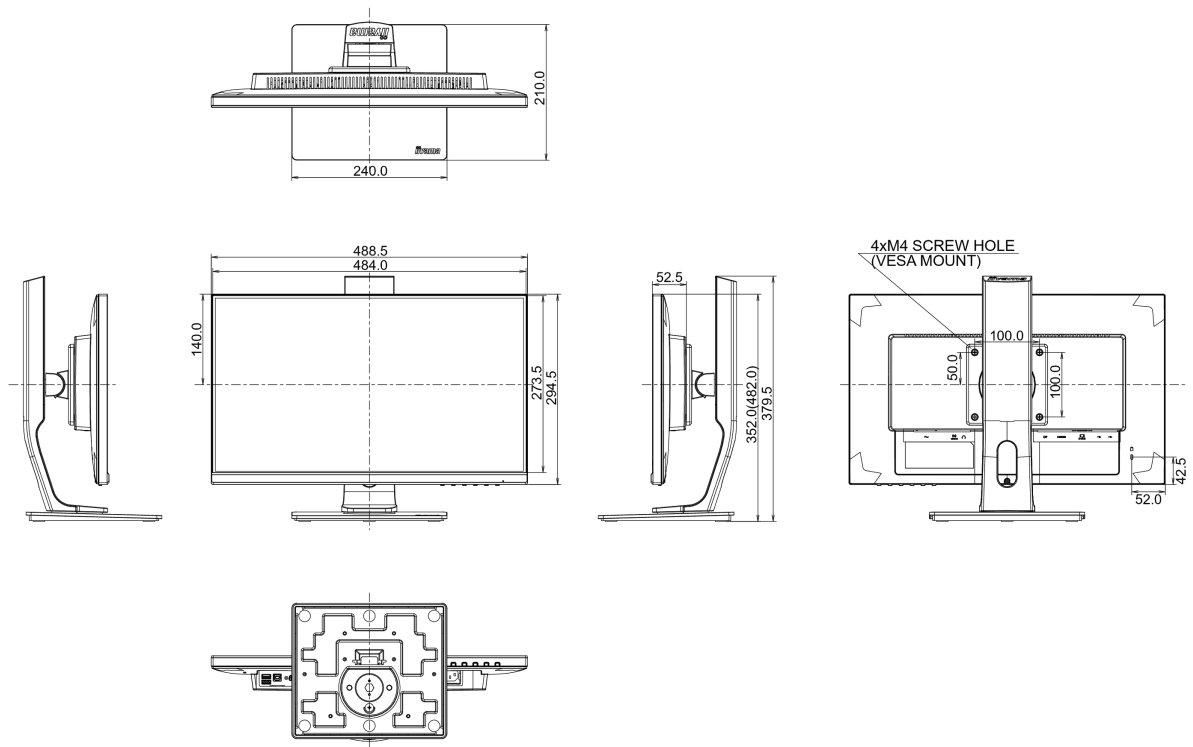
Power supply unit	internal
Power supply	AC 100 - 240V, 50/60Hz
Power usage	16W typical, 0.3W stand by, 0.26W off mode

07 SUSTAINABILITY

Regulations	TCO, CE, TÜV-GS, EAC, VCCI-B, PSE, RoHS support, ErP, WEEE, REACH
Energy efficiency class	A+
Other	REACH SVHC above 0.1%: Lead

08 DIMENSIONS / WEIGHT

Product dimensions W x H x D	488.5 x 352 (482) x 210mm
Weight (without box)	4.7kg
EAN code	4948570116928



09 EU ENERGY EFFICIENCY LABEL

Manufacturer	iiyama
Model	ProLite XUB2294HSU-B1
Energy efficiency class	A+
Visible screen diagonal	54.6cm; "; (21.5" segment)
ON mode power consumption	16W
Annual energy consumption	23kWh/annum*
Power in Standby	0.3W stand by
Power in OFF Mode	0.26W off mode
Resolution	1920 x 1080

*This is information under Regulation (EU) No 1062/2010.*Based on the power consumption of the television operating 4 hours per day for 365 days. The actual energy consumption will depend on how the television is used.*

All trademarks and registered trademarks acknowledged. E & O E. Specification subject to change without notice. All LCD's comply with ISO-9241-307:2008 in connection with pixel defects.

© IIYAMA CORPORATION. ALL RIGHTS RESERVED