



**19" 10pt touch monitor featuring IPS panel and AG coating**

The ProLite T1932MSC-B5AG 19" multi touch screen is based on projective capacitive technology which thanks to a glass overlay covering the screen guarantees high durability, scratch-resistance and perfect picture performance. The IPS matrix guarantees high performance with accurate and consistent colour reproduction, and wide viewing angles. Anti Glare coating helps to avoid issues with reflections and external light sources affecting colour reproduction, contrast and sharpness. Its touch function remains unaffected even if the glass is scratched. A solid and steady base supports the touch screen with an adjustable stand offering full 90 degree positioning angles. In addition, the edge-to-edge glass design creates an eye-catching finish with high light transmission guaranteeing perfect picture clarity and brilliant colours.

Available also in white : [ProLite T1932MSC-W1SAG](#)



IPS

IPS displays are best known for wide viewing angles and natural, highly accurate colours. They are especially suited for colour-critical applications.



Touch technology - Capacitive

This technology uses a sensor-grid of micro-fine wires integrated into the glass that covers the screen. Touch is detected because electrical characteristics of the sensor grid change when human finger is placed on the glass. Thanks to the glass overlay this technology is highly durable, and the touch function remains unaffected even if the glass is scratched. It offers perfect picture performance and will work with human finger (also latex gloved) and stylus-pen.

## 01 DISPLAY CHARACTERISTICS

<b>Design</b>	Edge to edge glass
<b>Diagonal</b>	19", 48cm
<b>Panel</b>	IPS LED
<b>Native resolution</b>	1280 x 1024 (1.3 megapixel)
<b>Aspect ratio</b>	5:4
<b>Panel brightness</b>	250 cd/m <sup>2</sup>
<b>Brightness</b>	215 cd/m <sup>2</sup> with touch
<b>Light transmittance</b>	85%
<b>Static contrast</b>	1000:1 with touch
<b>Response time (GTG)</b>	14ms
<b>Viewing zone</b>	horizontal/vertical: horizontal°/vertical horizontal°, right/left: 0°/0°, up/down: 0°/0°
<b>Colour support</b>	16.7mln
<b>Horizontal Sync</b>	31 - 80kHz
<b>Viewable area W x H</b>	374.8 x 300mm, 14.8 x 11.8"
<b>Pixel pitch</b>	0.2928mm
<b>Bezel colour and finish</b>	black, matte

## 02 TOUCH

<b>Touch technology</b>	projective capacitive
<b>Touch points</b>	10 (HID, only with supported OS)
<b>Touch method</b>	stylus, finger, glove
<b>Touch interface</b>	USB
<b>Supported operating systems</b>	All iiyama monitors are Plug & Play and compatible with Windows and Linux. For details regarding the supported OS for the touch models, please refer to the driver instruction file available in the downloads section.

## 03 INTERFACES / CONNECTORS / CONTROLS

<b>Analog signal input</b>	VGA x1
<b>Digital signal input</b>	HDMI x1 DisplayPort x1
<b>Audio output</b>	Speakers 2 x 1W
<b>HDCP</b>	yes

## 04 FEATURES

<b>Water and dust protection</b>	IP54 (front)
<b>OSD key lock</b>	yes

## 05 GENERAL

<b>OSD languages</b>	EN, DE, FR, ES, IT, CN, JP
<b>Control buttons</b>	Menu, Scroll up/ Brightness, Scroll down/ Mute, Select/ Auto, Power
<b>User controls</b>	contrast, brightness, auto adjust, H.position, V.position, H.size, fine, OSD H.position, OSD V.position, OSD timeout, reset, input select, OSD language, colour temperature, volume, mute
<b>Convenience</b>	Kensington-lock™ prepared
<b>Plug&amp;Play</b>	DDC2B

## 06 MECHANICAL

**Tilt angle** 90° up; 5° down

**VESA mounting** 100 x 100mm

**Cable management system** yes

## 07 ACCESSORIES INCLUDED

**Cables** power, USB, HDMI, Audio, DP

**Guides** quick start guide, safety guide

**Other** Touch Panel Driver Disk (CD-ROM)

**Cable cover** yes

## 08 POWER MANAGEMENT

**Power supply unit** internal

**Power usage** 25W typical, 2W stand by, 2W off mode

## 09 SUSTAINABILITY

**Regulations** CB, CE, RoHS support, ErP, WEEE, CU, cULus, VCCI, REACH

**Energy efficiency class (Regulation (EU) 2017/1369)** E

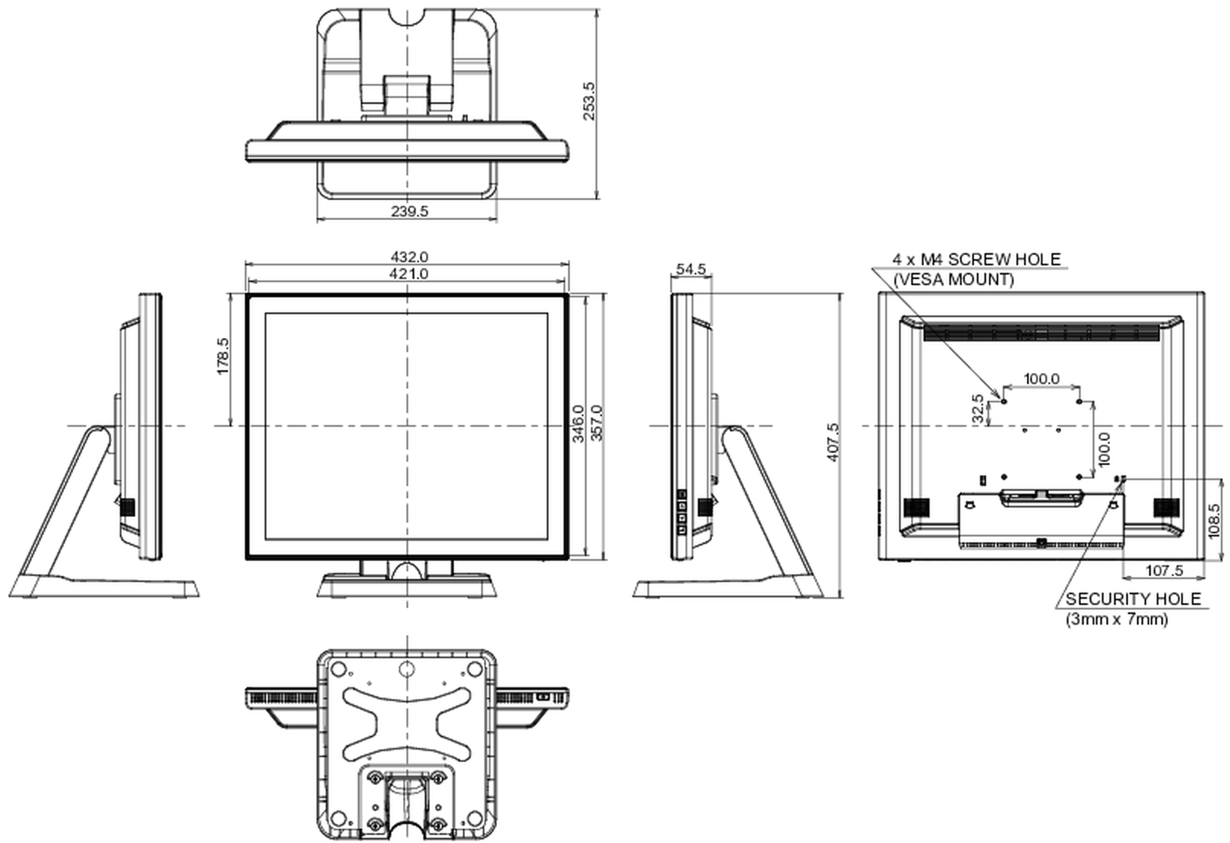
**REACH SVHC** above 0.1%: Lead

## 10 DIMENSIONS / WEIGHT

**Product dimensions W x H x D** 432 x 391 x 219mm

**Weight (without box)** 6.9kg

**EAN code** 4948570116133



© IYAMA CORPORATION. ALL RIGHTS RESERVED