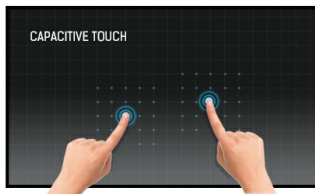




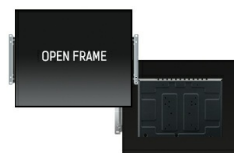
15" Open Frame PCAP 10pt touch monitor

The ProLite TF1534MC-B6X 15" multi touch screen is based on projective capacitive technology which thanks to a glass overlay covering the screen guarantees high durability, scratch-resistance and perfect picture performance. The touch function remains unaffected even if the glass is scratched. The screen is IP65 rated which means it is dust and water resistant from the front. For ease of integration, the TF1534MC-B6X can be equipped with optional external mounting brackets ([OMK1-1](#)) making it an ideal solution for kiosk integrators and Instore Retail.



Touch technology - Capacitive

This technology uses a sensor-grid of micro-fine wires integrated into the glass that covers the screen. Touch is detected because electrical characteristics of the sensor grid change when human finger is placed on the glass. Thanks to the glass overlay this technology is highly durable, and the touch function remains unaffected even if the glass is scratched. It offers perfect picture performance and will work with human finger (also latex gloved) and stylus-pen.



Open frame brackets

This open frame monitor can be equipped with optional external mounting brackets. It guarantees easy installation and makes it an ideal solution for kiosk integrators and In-store Retail.

01 DISPLAY CHARACTERISTICS

Design	Open Frame
Diagonal	15", 38cm
Panel	TN LED
Native resolution	1024 x 768 (0.8 megapixel)
Aspect ratio	4:3
Panel brightness	370 cd/m ²
Brightness	330 cd/m ² with touch
Light transmittance	90%
Static contrast	700:1 with touch
Response time (GTG)	8ms
Viewing zone	horizontal/vertical: 170°/160°, right/left: 85°/85°, up/down: 80°/80°
Colour support	16.7mln
Horizontal Sync	31.4 - 60kHz
Viewable area W x H	304 x 228mm, 12 x 9"
Pixel pitch	0.297mm
Bezel colour and finish	black, matte

02 TOUCH

Touch technology	projective capacitive
Touch points	10 (HID, only with supported OS)
Touch method	stylus, finger, glove (latex)
Touch interface	USB
Supported operating systems	All iiyama monitors are Plug & Play and compatible with Windows and Linux. For details regarding the supported OS for the touch models, please refer to the driver instruction file available in the downloads section.

03 INTERFACES / CONNECTORS / CONTROLS

Analog signal input	VGA x1
Digital signal input	HDMI x1 DisplayPort x1
HDCP	yes

04 FEATURES

Extra	anti-fingerprint coating
Water and dust protection	IP65 (front)
OSD key lock	yes

05 GENERAL

OSD languages	EN, DE, FR, ES, IT, CN, JP
Control buttons	Menu, Scroll up/ Brightness, Scroll down/ Contrast, Select, Power
User controls	picture (contrast, brightness, H.position, V.position, phase, clock, auto adjust), advanced (colour temp., sharpness), OSD (timeout, position, H.position, V.position), option (reset, language, source select, display mode)
Plug&Play	DDC2B

06 MECHANICAL

Orientation landscape, portrait, face-up

VESA mounting 100 x 100mm

07 ACCESSORIES INCLUDED

Cables power (1.8m), USB (1.8m), HDMI (1.8m), DP (1.8m)

Guides quick start guide, safety guide

Other AC adapter, Touch Panel Driver Disk (CD-ROM)

08 POWER MANAGEMENT

Power supply unit external

Power supply DC 12 V

Power usage 9W typical, 2W stand by, 2W off mode

09 SUSTAINABILITY

Regulations CB, CE, TÜV-Bauart, EAC, RoHS support, ErP, WEEE, cULus, REACH

Energy efficiency class (Regulation (EU) 2017/1369) E

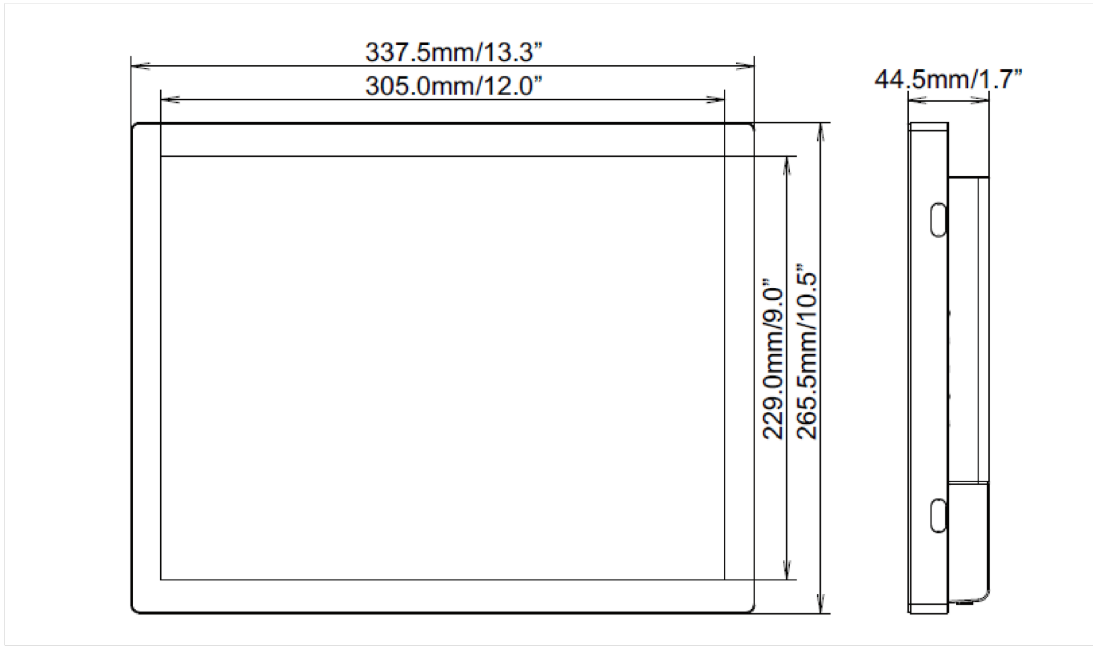
REACH SVHC above 0.1%: Lead

10 DIMENSIONS / WEIGHT

Product dimensions W x H x D 337.5 x 265.5 x 44.5mm

Weight (without box) 2.7kg

EAN code 4948570116812



© IYAMA CORPORATION. ALL RIGHTS RESERVED