



43" Android-powered professional digital signage display with daisy chain function

The 43" LH4346HS-B1 merges the versatility and freedom of an Android OS display with the flexibility of a landscape and portrait orientation to bring you a well-rounded digital signage display you can easily customize to your needs by installing applications directly to it.

It features an IPS panel, Full HD resolution, a continuous 24/7 operating time, a media player and a full range of connectors - VGA, DVI, HDMI and DisplayPort. Daisy Chain function makes the screen suitable for use in a wide variety of environments and set-ups including video walls.



Android OS

Thanks to Android OS, you can easily customize the display to your needs by installing applications directly to it.



Daisy Chain Support

Daisy chain is a connection scheme in which several devices are connected in sequence or in a ring. It enables a connection of a series of devices using a single connection between each two devices via a cable. The signal output is connected to the signal input of the next device. The connection with only one cable between two devices ensures a simple and tidy installation.

01 DISPLAY CHARACTERISTICS

| | |
|----------------------------------|---|
| Design | Thin bezel |
| Diagonal | 42.5", 108cm |
| Panel | IPS LED, antiglare surface treatment, haze 1% (the higher the value, the less reflection) |
| Native resolution | 1920 x 1080 (2.1 megapixel Full HD) |
| Aspect ratio | 16:9 |
| Brightness | 450 cd/m ² typical |
| Static contrast | 1100:1 typical |
| Response time | 12ms |
| Viewing zone | horizontal/vertical: 178°/178°, right/left: 89°/89°, up/down: 89°/89° |
| Colour support | 16.7mIn 8bit |
| Horizontal Sync | 30 - 83KHz |
| Vertical Sync | 50 - 76Hz |
| Viewable area W x H | 529.4 x 941.2mm, 20.8 x 37.1" |
| Bezel width (sides, top, bottom) | 9.5mm, 9.5mm, 15.6mm |
| Pixel pitch | 0.4902mm |
| Bezel colour and finish | black, matte |

02 INTERFACES / CONNECTORS / CONTROLS

| | |
|------------------------|--|
| Analog signal input | VGA x1 (via DVI) |
| Digital signal input | DVI x1 HDMI x2 (v.1.4) DisplayPort x1 |
| Audio input | RCA (L/R) x1 Mini jack x1 |
| Monitor control input | RS-232c x1 RJ45 (LAN) x1 IR x1 |
| Analog signal output | VGA x1 (via DVI) |
| Digital signal output | DVI x1 (daisy chain) DisplayPort x1 (daisy chain) |
| Audio output | RCA (L/R) x1 Speakers 2 x 10W |
| Monitor control output | RS-232c x1 IR loop through x1 |
| HDCP | yes |
| USB ports | x1 (v.2.0 media playback) |

03 FEATURES

| | |
|------------------------------|--|
| Integrated software | Android OS |
| Extra | micro USB slot, micro SD slot, USB charger (5V/2A) |
| PiP | yes |
| Max. non-stop operating time | 24/7 |
| Anti image retention | yes |
| Video wall / daisy chain | yes |
| Media playback | yes |
| Housing (bezel) | metal |

04 GENERAL

| | |
|-----------------|--|
| OSD languages | EN, DE, FR, ES, IT, CN, RU, JP, PL, |
| Control buttons | Power, Mute, Input, +, -, Up, Down, Menu |
| User controls | picture (brightness, contrast, sharpness, black level, tint, colour, noise reduction, gamma selection, colour temp., colour control, picture mode, overscan, reset), screen (H. position, V. position, clock, phase, zoom mode, custom zoom, auto adjust, screen reset), audio (balance, treble, bass, volume, audio out, max. volume, min. volume, mute, audio source, sync. volume, reset), PIP (sub mode, PIP size, PIP position, PIP change, PIP source, PIP audio, PIP reset), configuration1 (switch on state, panel saving, RS232 routing, boot on source, WOL, LED, reset, factory reset), configuration2 (OSD turn off, OSD H. position, OSD V. position, OSD transparency, information OSD, logo, monitor ID, heat status, monitor information, DP version, window selection, rotation, language, reset), advanced option (input resolution, IR control, keyboard control, tiling, off timer, date and time, schedule, HDMI with one wire, auto signal detection, power save, scalar FW update, USB cloning, reset), settings (ethernet, signage display, system tools, storage, apps, date and time, about) |
| Plug&Play | DDC2B, Mac OSX |

05 MECHANICAL

| | |
|-----------------------------|---------------------|
| Orientation | landscape, portrait |
| Fanless design | yes |
| VESA mounting | 400 x 400mm |
| Operation temperature range | 0°C - 40°C |
| Storage temperature range | - 20°C - 60°C |
| MTBF | 50 000 hours |

06 ACCESSORIES INCLUDED

| | |
|----------------|---|
| Cables | power, DVI, HDMI, mDP - DP, DP, RS-232c |
| Guides | quick start guide, safety guide |
| Remote control | yes (batteries included) |

07 POWER MANAGEMENT

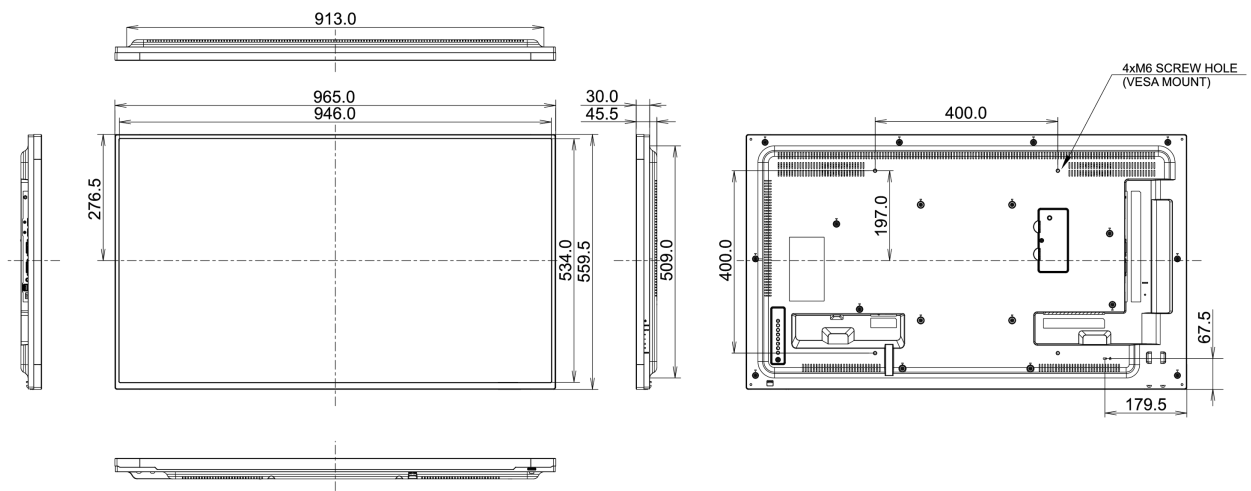
| | |
|-------------------|------------------------------|
| Power supply unit | internal |
| Power supply | AC 100 - 240V, 50/60Hz |
| Power usage | 57.8W typical, 0.5W stand by |

08 SUSTAINABILITY

| | |
|-------------------------|-----------------------------|
| Regulations | CB, CE, TÜV-Bauart, CU |
| Energy efficiency class | A |
| Other | REACH SVHC above 0.1%: Lead |

09 DIMENSIONS / WEIGHT

| | |
|------------------------------|----------------------|
| Product dimensions W x H x D | 965 x 559.5 x 45.5mm |
| Box dimensions W x H x D | 1141 x 779 x 203mm |
| Weight (without box) | 11.6kg |
| EAN code | 4948570116980 |



All trademarks and registered trademarks acknowledged. E & O E. Specification subject to change without notice. All LCD's comply with ISO-9241-307:2008 in connection with pixel defects.

© IIYAMA CORPORATION. ALL RIGHTS RESERVED