

32" Android-powered professional digital signage display with daisy chain function

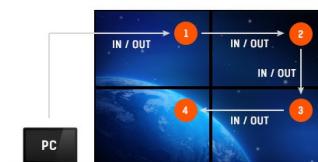
The 32" LH3246HS-B1 merges the versatility and freedom of an Android OS display with the flexibility of a landscape and portrait orientation to bring you a well-rounded digital signage display you can easily customize to your needs by installing applications directly to it.

It features an IPS panel, Full HD resolution, a continuous 24/7 operating time, a media player and a full range of connectors - VGA, DVI, HDMI and DisplayPort. Daisy Chain function makes the screen suitable for use in a wide variety of environments and set-ups including video walls.



Android OS

Thanks to Android OS, you can easily customize the display to your needs by installing applications directly to it.



Daisy Chain Support

Daisy chain is a connection scheme in which several devices are connected in sequence or in a ring. It enables a connection of a series of devices using a single connection between each two devices via a cable. The signal output is connected to the signal input of the next device. The connection with only one cable between two devices ensures a simple and tidy installation.

01 DISPLAY CHARACTERISTICS

Design	Thin bezel
Diagonal	31.5", 80.1cm
Panel	IPS LED, antiglare surface treatment, haze 1% (the higher the value, the less reflection)
Native resolution	1920 x 1080 (2.1 megapixel Full HD)
Aspect ratio	16:9
Brightness	400 cd/m ² typical
Static contrast	1100:1 typical
Response time	10ms
Viewing zone	horizontal/vertical: 178°/178°, right/left: 89°/89°, up/down: 89°/89°
Colour support	16.7mIn 8bit
Horizontal Sync	30 - 83KHz
Vertical Sync	50 - 76Hz
Viewable area W x H	392.9 x 698.4mm, 15.5 x 27.5"
Bezel width (sides, top, bottom)	10.8mm, 10.8mm, 15.8mm
Pixel pitch	0.36375mm
Bezel colour and finish	black, matte

02 INTERFACES / CONNECTORS / CONTROLS

Analog signal input	VGA x1
Digital signal input	DVI x1 HDMI x2 (v.1.4) DisplayPort x1
Audio input	RCA (L/R) x1 Mini jack x1
Monitor control input	RS-232c x1 RJ45 (LAN) x1 IR x1
Analog signal output	VGA x1 (via DVI)
Digital signal output	DVI x1 (daisy chain) DisplayPort x1 (daisy chain)
Audio output	RCA (L/R) x1 Speakers 2 x 10W
Monitor control output	RS-232c x1 IR loop through x1
HDCP	yes
USB ports	x1 (v.2.0 media playback)

03 FEATURES

Integrated software	Android OS
Extra	micro USB slot, micro SD slot, USB charger (5V/2A)
PiP	yes
Max. non-stop operating time	24/7
Anti image retention	yes
Video wall / daisy chain	yes
Media playback	yes
Housing (bezel)	metal

04 GENERAL

OSD languages	EN, DE, FR, ES, IT, CN, RU, JP, PL,
Control buttons	Power, Mute, Input, +, -, Up, Down, Menu
User controls	picture (brightness, contrast, sharpness, black level, tint, colour, noise reduction, gamma selection, colour temp., colour control, picture mode, overscan, reset), screen (H. position, V. position, clock, phase, zoom mode, custom zoom, auto adjust, screen reset), audio (balance, treble, bass, volume, audio out, max. volume, min. volume, mute, audio source, sync. volume, reset), PIP (sub mode, PIP size, PIP position, PIP change, PIP source, PIP audio, PIP reset), configuration1 (switch on state, panel saving, RS232 routing, boot on source, WOL, LED, reset, factory reset), configuration2 (OSD turn off, OSD H. position, OSD V. position, OSD transparency, information OSD, logo, monitor ID, heat status, monitor information, DP version, window selection, rotation, language, reset), advanced option (input resolution, IR control, keyboard control, tiling, off timer, date and time, schedule, HDMI, auto signal detection, power save, scalar FW update, USB cloning, reset), settings (ethernet, signage display, system tools, storage, apps, date and time, about)
Plug&Play	DDC2B, Mac OSX

05 MECHANICAL

Orientation	landscape, portrait
Fanless design	yes
VESA mounting	200 x 200mm
Operation temperature range	0°C - 40°C
Storage temperature range	- 20°C - 60°C
MTBF	50 000 hours

06 ACCESSORIES INCLUDED

Cables	power, DVI, HDMI, mDP - DP, DP, RS-232c
Guides	quick start guide, safety guide
Remote control	yes (batteries included)

07 POWER MANAGEMENT

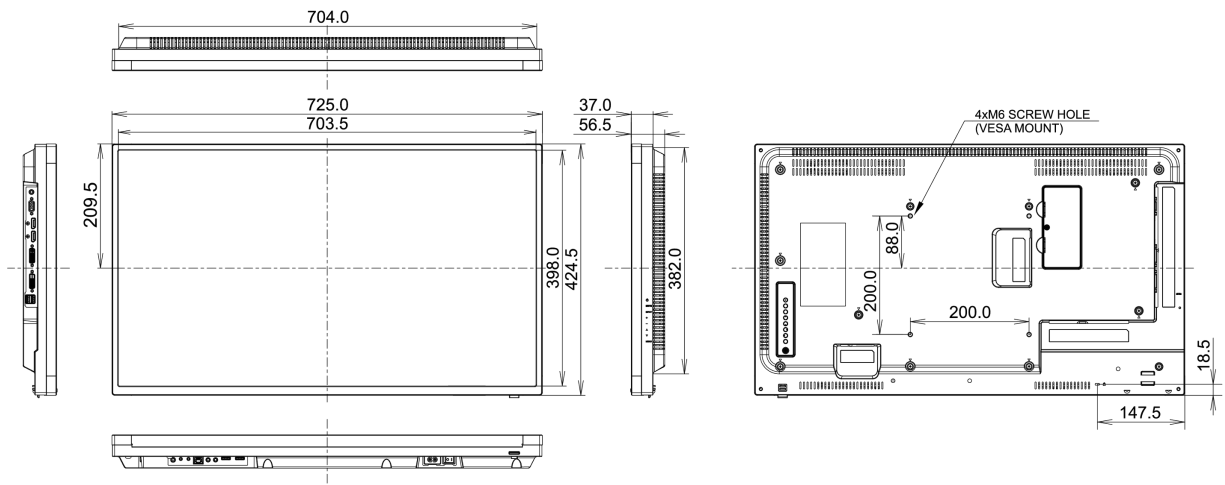
Power supply unit	internal
Power supply	AC 100 - 240V, 50/60Hz
Power usage	49.1W typical, 0.5W stand by

08 SUSTAINABILITY

Regulations	CB, CE, TÜV-Bauart, CU
Energy efficiency class	B
Other	REACH SVHC above 0.1%: Lead

09 DIMENSIONS / WEIGHT

Product dimensions W x H x D	725 x 424.5 x 56.5mm
Box dimensions W x H x D	859 x 603 x 182mm
Weight (without box)	6.9kg
EAN code	4948570116973



All trademarks and registered trademarks acknowledged. E & O E. Specification subject to change without notice. All LCD's comply with ISO-9241-307:2008 in connection with pixel defects.

© IIYAMA CORPORATION. ALL RIGHTS RESERVED