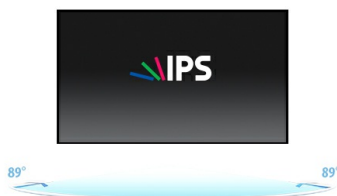




25" ultra-slim monitor featuring IPS Panel Technology with a 16:10 aspect ratio

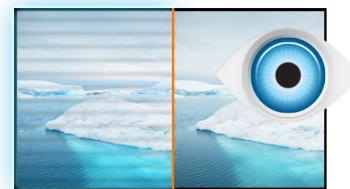
Providing excellent picture performance, the ProLite XU2595WSU is a great choice for office applications, graphics applications and CAD applications. The monitor features an IPS Technology LED panel offering 1920 x 1200 native resolution with accurate colour reproduction and wide viewing angles. The blue light reducer function and flicker-free LED's helps to significantly limit eye fatigue typically caused by working with a computer screen.

Available also with height adjustable stand: [ProLite XUB2595WSU-B1](#)



IPS

IPS displays are best known for wide viewing angles and natural, highly accurate colours. They are especially suited for colour-critical applications.



Flicker-free + Blue light

The ultimate solution for the comfort and health of your eyes. Flicker-free monitors with the blue light reducer function substantially reduce the strain and fatigue caused by flickering and blue light emittance of regular monitors.

01 DISPLAY CHARACTERISTICS

Design	ultra slim
Diagonal	25", 63.36cm
Panel	IPS LED, matte finish
Native resolution	1920 x 1200 (2.3 megapixel WUXGA)
Aspect ratio	16:10
Panel brightness	300 cd/m ²
Static contrast	1000:1
Advanced contrast	5M:1
Response time (GTG)	4ms
Viewing zone	horizontal/vertical: 178°/178°, right/left: 89°/89°, up/down: 89°/89°
Colour support	16.7mln
Horizontal Sync	30 - 89kHz
Viewable area W x H	535.4 x 338.7mm, 21.1 x 13.3"
Pixel pitch	0.279x0.282mm
Colour	matte

02 INTERFACES / CONNECTORS / CONTROLS

Signal input	VGA x1 (max. 1920 x 1200 @60Hz) HDMI x1 (max. 1920 x 1200 @60Hz) DisplayPort x1 (max. 1920 x 1200 @75Hz)
USB HUB	x2 (v.2.0)
HDCP	yes
Headphone connector	yes

03 FEATURES

Blue light reducer	yes
Flicker free	yes
FreeSync support	DisplayPort @48-75Hz
OSD languages	EN, DE, FR, RU, JP, NL, PL
Control buttons	Auto, -/ ECO, +/ Volume/Blue Light Reducer, Menu, Power
User controls	luminance (contrast, brightness, i-Style Colour, ACR, ECO), image settings (pixel clock, phase, H. position, V. position, aspect ratio), colour settings (gamma, 6-axis, colour temp.), OSD (H. position, V. position, OSD timeout, language), extra (reset, DDC/CI, signal select, OverDrive, audio source, opening logo, FreeSync, information)
Speakers	2 x 2W
Convenience	Kensington-lock™ prepared, DDC/CI, DDC2B, Mac OSX

04 MECHANICAL

Display position adjustments	tilt
Tilt angle	22° up; 5° down
VESA mounting	100 x 100mm
Operation temperature range	5°C - 35°C
Storage temperature range	- 20°C - 60°C

05 ACCESSORIES INCLUDED

Cables power (1.8m), USB (1.8m), DP (1.8m)

Other quick start guide, safety guide

06 POWER MANAGEMENT

Power supply unit internal

Power supply AC 100 - 240V, 50/60Hz

Power usage 27.8W typical, 0.49W stand by, 0.34W off mode

07 SUSTAINABILITY

Regulations TCO Certified, CE, TÜV-Bauart, RoHS support, ErP, WEEE, CU, REACH

Energy efficiency class (Regulation (EU) 2017/1369) F

REACH SVHC above 0.1%: Lead

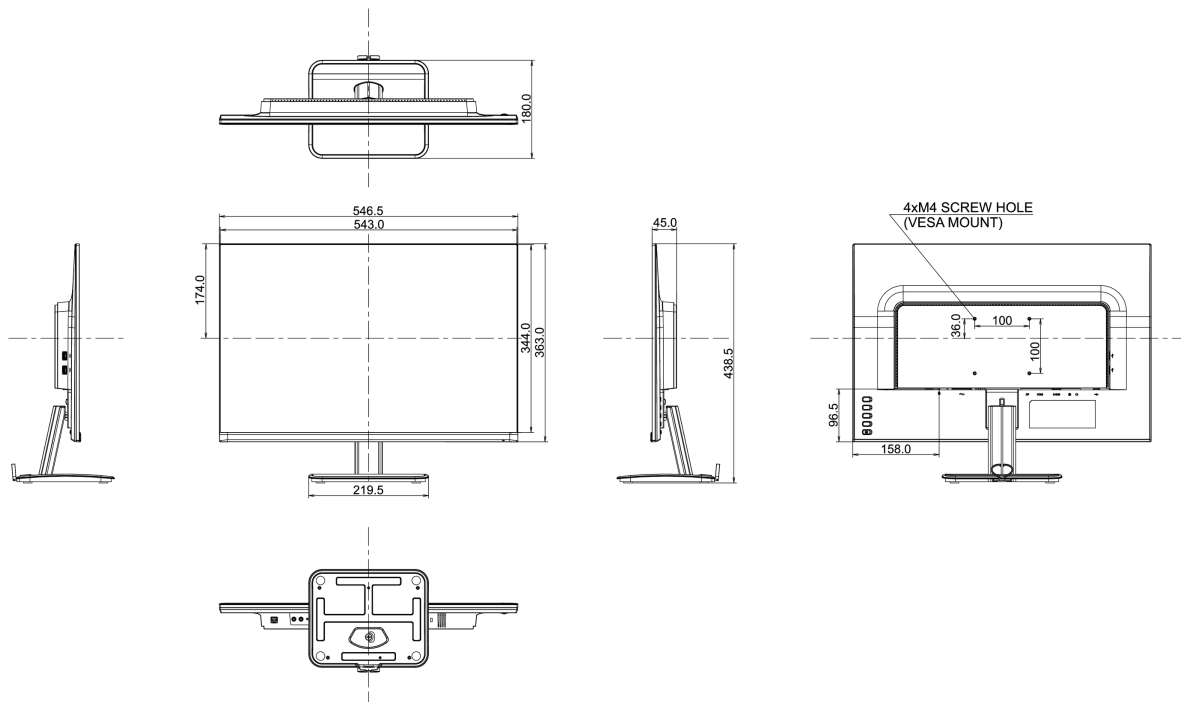
08 DIMENSIONS / WEIGHT

Product dimensions W x H x D 546.5 x 438.5 x 180mm

Weight (without box) 3.9kg

EAN code 4948570116720

XI/2595WSU



All trademarks and registered trademarks acknowledged. E & O E. Specification subject to change without notice. All LCD's comply with ISO-9241-307:2008 in connection with pixel defects.