



A Full HD LED monitor with 1 ms response

The ProLite E2482HS is an excellent 24" Full HD LED-backlit monitor with 1920 x 1080p resolution. It features 1ms response time and 80 000 000 : 1 Advanced Contrast Ratio, assuring clear and vibrant picture quality and high contrast. Triple Input support ensures compatibility with the latest installed graphics cards and embedded Notebook outputs. The E2482HS is also equipped with two high quality stereo speakers. TCO Certified, this monitor is a reliable solution for both home and office use.



Full HD

With true 1920 x 1080p resolution your monitor is ready to display high definition images. This means you can accommodate more information on your screen; e.g. 60% more in comparison to a 1280 x 1024 monitor.



Flicker-free + Blue light

The ultimate solution for the comfort and health of your eyes. Flicker-free monitors with the blue light reducer function substantially reduce the strain and fatigue caused by flickering and blue light emittance of regular monitors.

01 DISPLAY CHARACTERISTICS

Diagonal	24", 61cm
Panel	TN LED, matte finish
Native resolution	1920 x 1080 (2.1 megapixel Full HD)
Aspect ratio	16:9
Brightness	250 cd/m ² typical
Static contrast	1000:1 typical
Advanced contrast	80M:1
Response time (GTG)	1ms
Viewing zone	horizontal/vertical: 170°/160°, right/left: 85°/85°, up/down: 80°/80°
Colour support	16.7mIn (sRGB: 99%; NTSC: 72%)
Horizontal Sync	30 - 80kHz
Vertical Sync	55 - 75Hz
Viewable area W x H	531.4 x 298.9mm, 20.5 x 11.5"
Pixel pitch	0.277mm
Colour	matte

02 INTERFACES / CONNECTORS / CONTROLS

Signal input	VGA x1 DVI x1 HDMI x1
HDCP	yes
Headphone connector	yes

03 FEATURES

Blue light reducer	yes
Flicker free	yes
OSD languages	EN, DE, FR, ES, IT, CN, RU, JP, CZ, NL, PL
Speakers	2 x 1W
Convenience	Kensington-lock™ prepared, DDC/CI, DDC2B, Mac OSX

04 MECHANICAL

Display position adjustments	tilt
Tilt angle	22° up; 5° down
VESA mounting	100 x 100mm

05 ACCESSORIES INCLUDED

Cables	power (1.5m), DVI (1.5m), Audio (1.5m)
Other	quick start guide, safety guide

06 POWER MANAGEMENT

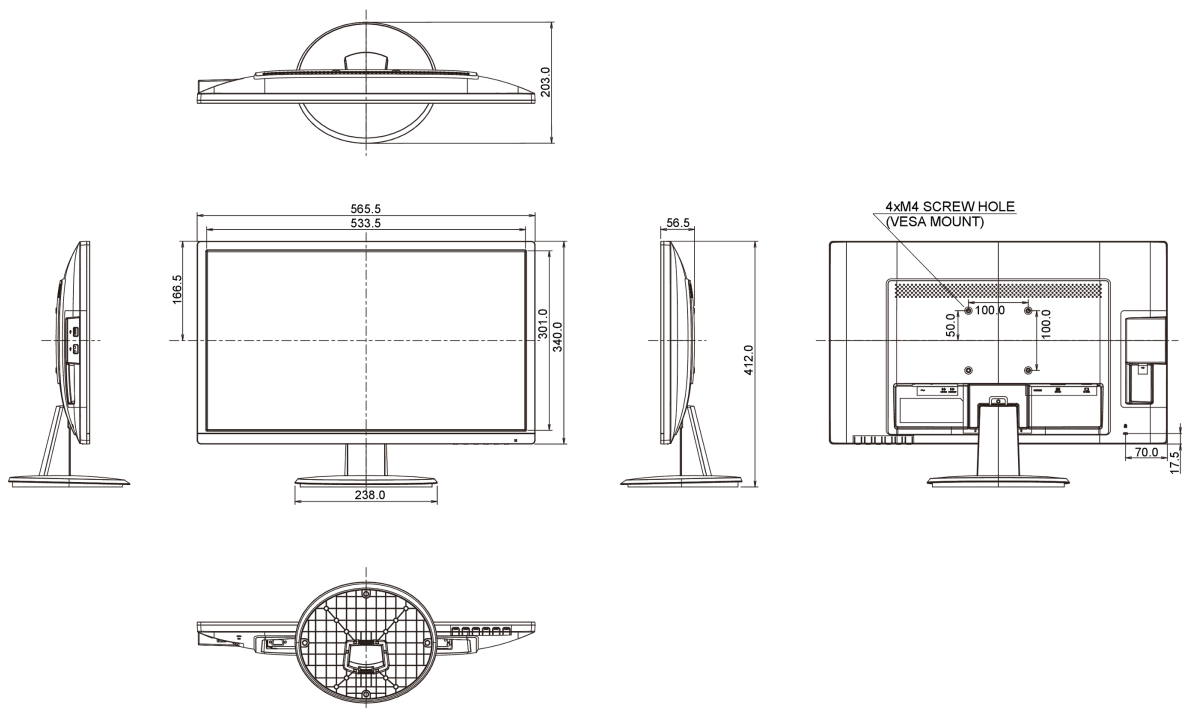
Power supply unit	internal
Power supply	AC 100 - 240V, 50/60Hz
Power usage	24.9W typical, 0.32W stand by, 0.27W off mode

07 SUSTAINABILITY

Regulations	TCO, CE, TÜV-GS, VCCI-B, PSE, RoHS support, ErP, WEEE, EPEAT, CU, REACH, ENERGY STAR® * (*This model meets old ENERGY STAR® criteria only.)
Energy efficiency class	A
Other	REACH SVHC above 0.1%: Lead

08 DIMENSIONS / WEIGHT

Product dimensions W x H x D	565.5 x 412 x 203mm
Weight (without box)	3.4kg
EAN code	4948570116553



09 EU ENERGY EFFICIENCY LABEL

Manufacturer	iiyama
Model	ProLite E2482HS-B1
Energy efficiency class	A
Visible screen diagonal	61cm; 24"; (24" segment)
ON mode power consumption	25W
Annual energy consumption	36kWh/annum*
Power in Standby	0.32W stand by
Power in OFF Mode	0.27W off mode
Resolution	1920 x 1080

All trademarks and registered trademarks acknowledged. E & O E. Specification subject to change without notice. All LCD's comply with ISO-9241-307:2008 in connection with pixel defects.

© IIYAMA CORPORATION. ALL RIGHTS RESERVED