



### 21.5" dual touchscreen, based on Optical touch technology

The ProLite T2253MTS-B1 is based on optical touch technology (2 touch points) with a pure-glass scratch resistive front, offering superior image clarity and screen durability. The screen can be touched with a soft stylus, finger or gloved hand making it suitable for several applications. A solid and steady base supports the touchscreen with an adjustable stand. Multiple inputs (VGA, HDMI, DVI) are available for flexible connectivity along with USB for the touch interface.



#### Touch technology - Optical

This technology uses cameras. A touch event is registered with great accuracy when light is blocked by a finger or stylus. It's the only touch technology that does not rely on an overlay or substrate to register a touch, so it's impossible to physically "wear out" the touchscreen. In fact you don't really have to physically touch the screen.



#### OverDrive ON / OFF

When very fast graphics are displayed your monitor can sometimes get blurry. Turning on the OverDrive feature will eliminate that.

## 01 DISPLAY CHARACTERISTICS

Diagonal	21.5", 54.7cm
Panel	TN LED-backlit
Native resolution	1920 x 1080 (2.1 megapixel Full HD)
Aspect ratio	16:9
Panel brightness	250 cd/m <sup>2</sup>
Brightness	220 cd/m <sup>2</sup> with touch
Light transmittance	88%
Static contrast	1000:1
Advanced contrast	12M:1
Response time (GTG)	2ms
Viewing zone	horizontal/vertical: 170°/160°, right/left: 85°/85°, up/down: 80°/80°
Colour support	16.7mln
Horizontal Sync	30 - 80kHz
Viewable area W x H	476.64 x 268.11mm, 18.8 x 10.6"
Pixel pitch	0.248mm
Bezel colour and finish	black, matte

## 02 TOUCH

Touch technology	optical
Touch points	2 (HID, only with supported OS)
Touch method	stylus, finger, glove
Touch interface	USB
Supported operating systems	All iiyama monitors are Plug & Play and compatible with Windows and Linux. For details regarding the supported OS for the touch models, please refer to the driver instruction file available in the downloads section.

## 03 INTERFACES / CONNECTORS / CONTROLS

Analog signal input	VGA x1
Digital signal input	DVI x1 HDMI x1
Audio output	Speakers 2 x 2W
HDCP	yes
USB HUB	x2 (2.0)

## 04 FEATURES

Glass thickness	1.85mm
Glass hardness	8H
OSD key lock	yes

## 05 GENERAL

OSD languages	EN, DE, FR, ES, IT, RU, JP, CZ, NL, PL
Control buttons	Power, Menu/ Enter, Scroll up/ Audio, Scroll down/ ECO, Input/ Exit

## User controls

auto adjust, picture adjust (brightness, contrast, ECO, Blue Light Reducer, ACR, OD, gamma, X-res technology), geometry (H. position, V. position, pixel clock, phase), colour settings (colour temperature, user preset, hue, saturation, i-Style colour), OSD (OSD H. position, OSD V. position, OSD time, after AC cut), language, recall, miscellaneous (sharp and soft, video mode adjust, opening logo, DDC/CI, display information), input source, audio settings (volume, mute audio, audio input)

### Convenience

Kensington-lock™ prepared

### Blue light reducer

yes

### Plug&Play

DDC/CI, DDC2B

## 06 MECHANICAL

### Tilt angle

73° up; 3° down

### VESA mounting

100 x 100mm

## 07 ACCESSORIES INCLUDED

### Cables

power (1.8m), USB (1.8m), HDMI (1.8m)

### Guides

quick start guide, safety guide

## 08 POWER MANAGEMENT

### Power supply unit

internal

### Power supply

AC 100 - 240V, 50/60Hz

### Power usage

18.4W typical, 0.26W stand by, 0.23W off mode

## 09 SUSTAINABILITY

### Regulations

CE, TÜV-Bauart, EAC, RoHS support, ErP, WEEE, CU, REACH

### REACH SVHC

above 0.1%: Lead

## 10 DIMENSIONS / WEIGHT

### Product dimensions W x H x D

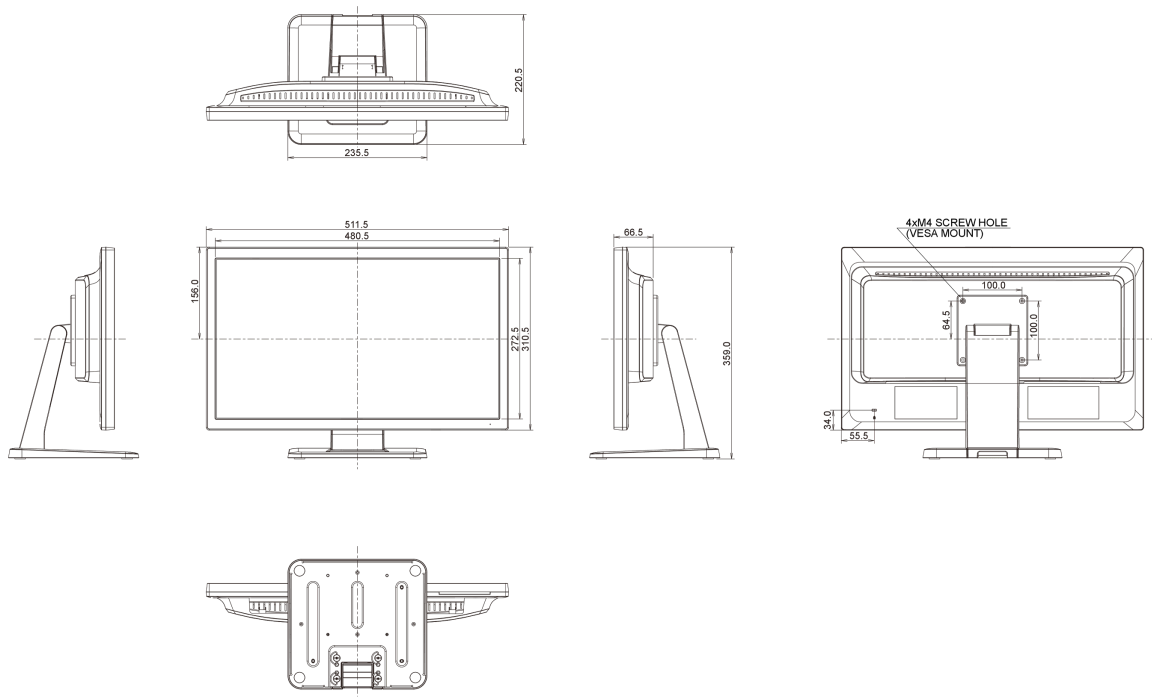
511.5 x 539 x 220.5mm

### Weight (without box)

5.6kg

### EAN code

4948570116492



© IIYAMA CORPORATION. ALL RIGHTS RESERVED