



24" IPS technology panel with ultra flat front and height adjustable stand

Stylish edge-to-edge design makes the ProLite XUB2492HSU perfect for multi-monitor set-ups. The IPS panel technology offers accurate and consistent colour reproduction with wide viewing angles. High contrast and brightness values mean the monitor will provide excellent performance for photographic and web design, and the height adjustable stand ensures you can easily adjust the screen position to your preferences. It is a great choice for both multi-monitor Digital Signage and office applications.



IPS Technology



Ultra Slim Line

IPS technology offers higher contrast, darker blacks and much better viewing angles than standard TN technology. The screen will look good no matter what angle you look at it.

01 DISPLAY CHARACTERISTICS

| | |
|---------------------|---|
| Design | ultra slim |
| Diagonal | 23.8", 60.5cm |
| Panel | IPS Panel Technology LED, matte finish |
| Native resolution | 1920 x 1080 (2.1 megapixel Full HD) |
| Aspect ratio | 16:9 |
| Brightness | 250 cd/m ² typical |
| Static contrast | 1000:1 typical |
| Advanced contrast | 5M:1 |
| Response time | 4ms |
| Viewing zone | horizontal/vertical: 178°/178°, right/left: 89°/89°, up/down: 89°/89° |
| Colour support | 16.7mIn 8bit (6bit + Hi-FRC) (sRGB: 99%; NTSC: 72%) |
| Horizontal Sync | 30 - 80KHz |
| Vertical Sync | 55 - 75Hz |
| Viewable area W x H | 527 x 296.5mm, 20.7 x 11.7" |
| Pixel pitch | 0.275mm |
| Colour | matte, white |

02 INTERFACES / CONNECTORS / CONTROLS

| | |
|---------------------|-------------------------------------|
| Signal input | VGA x1 HDMI x1 DisplayPort x1 |
| USB HUB | x2 (v.2.0) |
| HDCP | yes |
| Headphone connector | yes |

03 FEATURES

| | |
|--------------------|--|
| Blue light reducer | yes |
| Flicker free | yes |
| OSD languages | EN, DE, FR, ES, IT, CN, RU, JP, CZ, NL, PL |
| Control buttons | Power, Menu/ Select, +/ Volume, -/ ECO, Exit, Input |
| User controls | picture adjust (contrast, brightness, OD, ACR, ECO, blue light reducer), input select, audio adjust (volume, mute, digital audio), colour adjust, image adjust (auto adjust, H. position, V. position, clock, phase, sharpness, video mode adjust), language, setup (OSD position, OSD time out, opening logo, auto power off), display information, reset |
| Speakers | 2 x 2W |
| Convenience | Kensington-lock™ prepared, DDC2B, Mac OSX |

04 MECHANICAL

| | |
|------------------------------|--|
| Display position adjustments | height, pivot (rotation), swivel, tilt |
| Height adjustment | 130mm |
| Rotation (PIVOT function) | 90° |
| Swivel stand | 90°; 45° left; 45° right |
| Tilt angle | 22° up; 5° down |
| VESA mounting | 100 x 100mm |

05 ACCESSORIES INCLUDED

| | |
|--------|---------------------------------|
| Cables | power, USB, HDMI, DP |
| Other | quick start guide, safety guide |

06 POWER MANAGEMENT

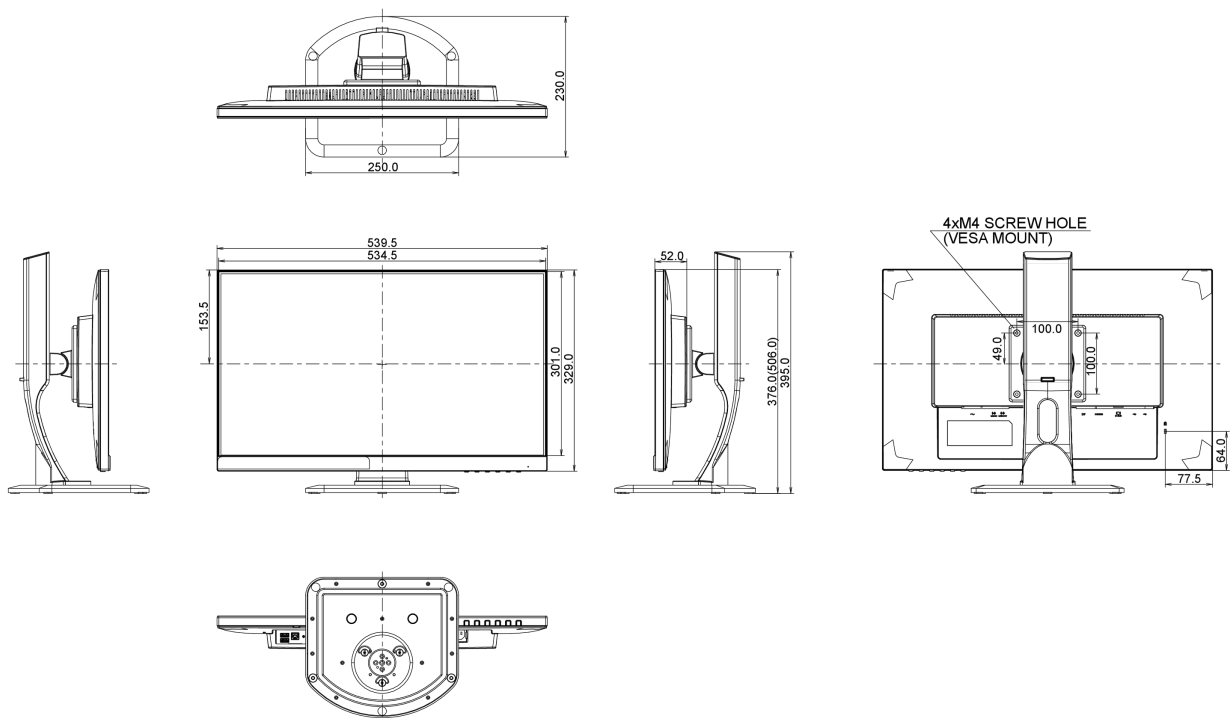
| | |
|-------------------|---|
| Power supply unit | internal |
| Power supply | AC 100 - 240V, 50/60Hz |
| Power usage | 16W typical, 0.5W stand by, 0.5W off mode |

07 SUSTAINABILITY

| | |
|-------------------------|--|
| Regulations | TCO, CE, TÜV-GS, VCCI-B, PSE, Energy Star , EPEAT, CU |
| Energy efficiency class | A |
| EPEAT Silver | EPEAT is a comprehensive environmental rating that helps identify greener computers and other electronic equipment. The Silver certification means the monitor meets all required criteria plus at least 50% of the optional requirements. EPEAT Silver is valid in countries where iiyama registers the product. Please visit www.epeat.net for the registration status in your country. |
| Other | REACH SVHC above 0.1%: Lead |

08 DIMENSIONS / WEIGHT

| | |
|------------------------------|---------------------------|
| Product dimensions W x H x D | 539.5 x 376 (506) x 230mm |
| Weight (without box) | 5.4kg |
| EAN code | 4948570115549 |



10 EU ENERGY EFFICIENCY LABEL

| | |
|---------------------------|----------------------------|
| Manufacturer | iiyama |
| Model | ProLite XUB2492HSU-W1 |
| Energy efficiency class | A |
| Visible screen diagonal | 60cm; 23.8"; (24" segment) |
| ON mode power consumption | 21.1W |
| Annual energy consumption | 31kWh/annum* |
| Power in Standby | 0.5W stand by |
| Power in OFF Mode | 0.5W off mode |
| Resolution | 1920 x 1080 |

*This is information under Regulation (EU) No 1062/2010.*Based on the power consumption of the television operating 4 hours per day for 365 days. The actual energy consumption will depend on how the television is used.*

All trademarks and registered trademarks acknowledged. E & O E. Specification subject to change without notice. All LCD's comply with ISO-9241-307:2008 in connection with pixel defects.

© IIYAMA CORPORATION. ALL RIGHTS RESERVED