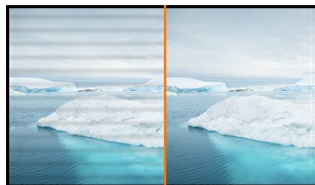




A Full HD LED monitor with VA panel

The ProLite X2283HS is an excellent 22" Full HD LED-backlit monitor with 1920 x 1080p resolution and VA panel technology guaranteeing accurate and consistent colour reproduction with wide viewing angles. Triple Input support ensures compatibility with the latest installed graphics cards and embedded Notebook outputs. The X2283HS is also equipped with two high quality stereo speakers. TCO Certified, this monitor is a reliable solution for both home and office use.



Flicker free

Controlling the monitor's brightness through electric current has allowed us to eliminate the screen flicker. You can easily test it yourself – just look at the screen via you smartphone's camera. Your eyes will love it.



OverDrive ON / OFF

When very fast graphics are displayed your monitor can sometimes get blurry. Turning on the OverDrive feature will eliminate that.

01 DISPLAY CHARACTERISTICS

Diagonal	21.5", 54.7cm
Panel	VA LED, matte finish
Native resolution	1920 x 1080 @75Hz (HDMI&DisplayPort, 2.1 megapixel Full HD)
Aspect ratio	16:9
Brightness	250 cd/m ² typical
Static contrast	3000:1 typical
Advanced contrast	80M:1
Response time	4ms
Viewing zone	horizontal/vertical: 178°/178°, right/left: 89°/89°, up/down: 89°/89°
Colour support	16.7mIn 8bit (6bit + Hi-FRC) (sRGB: 99%; NTSC: 72%)
Horizontal Sync	30 - 80KHz
Vertical Sync	55 - 75Hz
Viewable area W x H	478.6 x 269.5mm, 18.8 x 10.6"
Pixel pitch	0.248mm
Colour	matte, black

02 INTERFACES / CONNECTORS / CONTROLS

Signal input	VGA x1 HDMI x1 DisplayPort x1
HDCP	yes
Headphone connector	yes

03 FEATURES

Blue light reducer	yes
Flicker free	yes
OSD languages	EN, DE, FR, ES, IT, CN, RU, JP, CZ, NL, PL
Control buttons	Power, Menu/ Select, Scroll up/ Volume, Scroll down/ ECO, Exit, Input Select
User controls	picture adjust (contrast, brightness, OD, ACR, ECO, Blue Light Reducer), input select, audio adjust (volume, mute, digital audio), colour adjust, image adjust (auto adjust, H. position, V. position, clock, phase, sharpness, video mode adjust), language, setup (OSD position, OSD timeout, opening logo, auto power off), display information, reset
Speakers	2 x 1W
Convenience	Kensington-lock™ prepared, DDC2B, Mac OSX

04 MECHANICAL

Display position adjustments	tilt
Tilt angle	22° up; 5° down
VESA mounting	100 x 100mm

05 ACCESSORIES INCLUDED

Cables	power, HDMI
Other	quick start guide, safety guide

06 POWER MANAGEMENT

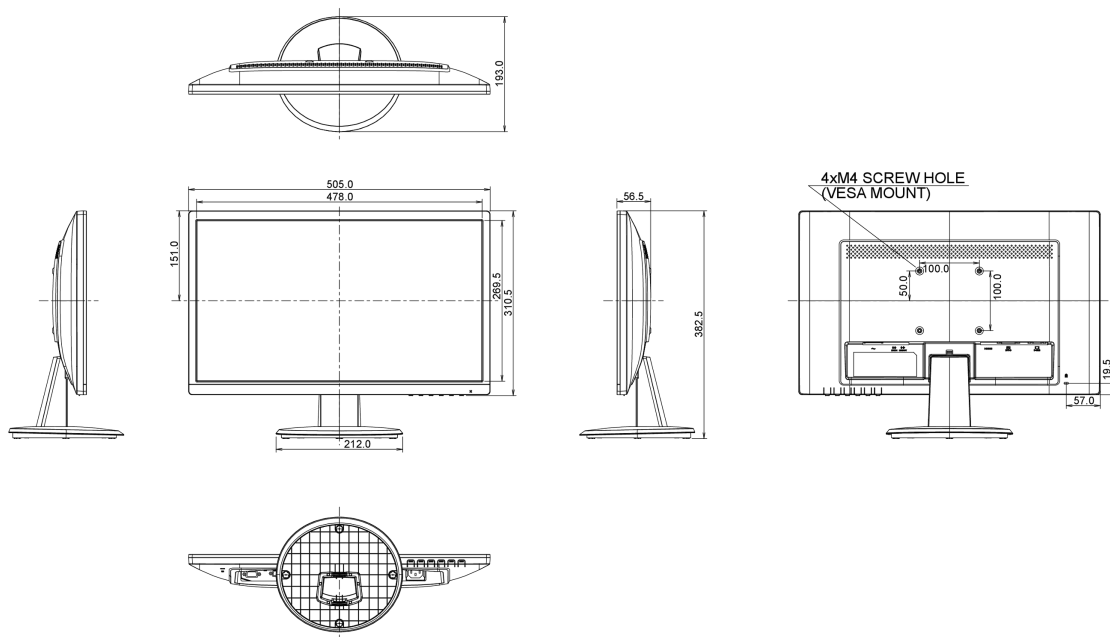
Power supply unit	internal
Power supply	AC 100 - 240V, 50/60Hz
Power usage	21W typical, 0.5W stand by

07 SUSTAINABILITY

Regulations	TCO, CE, TÜV-GS, VCCI-B, PSE, Energy Star , CU
Energy efficiency class	A
Other	REACH SVHC above 0.1%: Lead

08 DIMENSIONS / WEIGHT

Product dimensions W x H x D	505 x 382.5 x 193mm
Weight (without box)	3.0kg
EAN code	4948570115938



09 EU ENERGY EFFICIENCY LABEL

Manufacturer	iiyama
Model	ProLite X2283HS-B3
Energy efficiency class	A
Visible screen diagonal	55cm; 21.5"; (22" segment)
ON mode power consumption	19W
Annual energy consumption	28kWh/annum*
Power in Standby	0.5W stand by

Resolution

1920 x 1080

*This is information under Regulation (EU) No 1062/2010.*Based on the power consumption of the television operating 4 hours per day for 365 days. The actual energy consumption will depend on how the television is used.*

All trademarks and registered trademarks acknowledged. E & O E. Specification subject to change without notice. All LCD's comply with ISO-9241-307:2008 in connection with pixel defects.

© IYAMA CORPORATION. ALL RIGHTS RESERVED