



Floor lift on wheels for large format (touch) displays up to 120 kg with lockable lid for protection

A motorized trolley for touch screens up to VESA 600-400. What makes this product so unique is its screen flexibility and installation ease, within just three steps the product is installed and ready for use. This wheeled stand with electrical height adjustment has continuous and silent height adjustment and an integrated screen bracket containing most VESA patterns, making it suitable for almost every display. The embedded VESA bracket has another special feature, it can be used as support for a Desktop PC at the back. Please note: If your screen is too big (VESA 600-500/600, VESA 800-500/600 or VESA 800-400), please use the MD 052B7288 adapter.

01 TECHNICAL SPECIFICATION

Number of screens	1
Screen size	32" - 86"
Max weight capacity	120kg / monitor
VESA minimum	200 x 200mm
VESA maximum	600 x 400mm



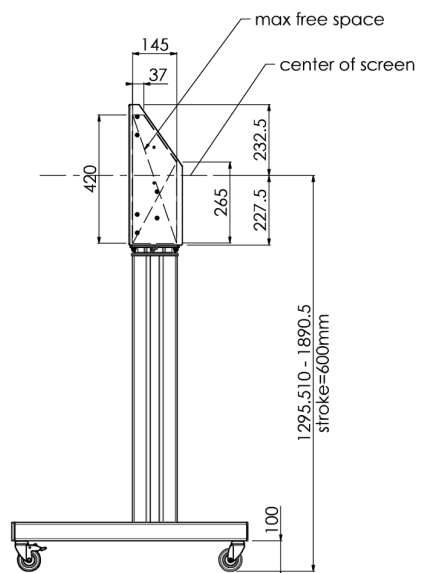
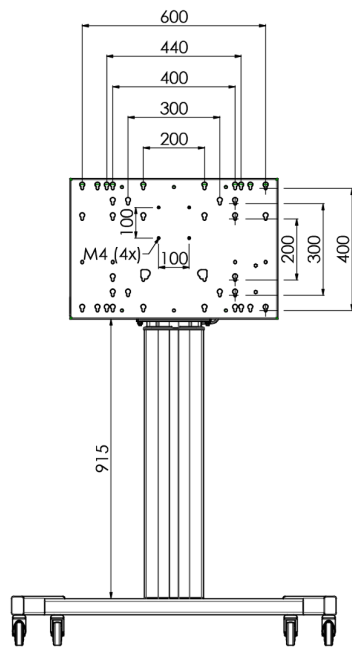
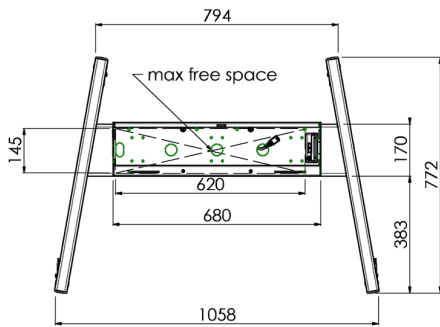
02 DIMENSIONS / WEIGHT

Product dimensions W x H x D

1058 x 1890.5 x 772mm

Weight (without box)

52kg



03 RELATED INFORMATION

Related products

[MD 063B7240](#), [MD 052B7288](#)

All trademarks and registered trademarks acknowledged. E & O E. Specification subject to change without notice. All LCD's comply with ISO-9241-307:2008 in connection with pixel defects.

© IYAMA CORPORATION. ALL RIGHTS RESERVED