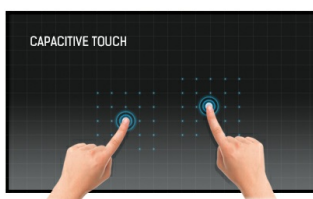




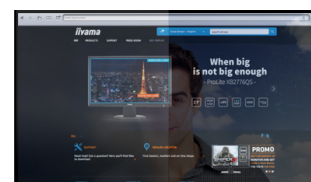
## 15" Projective Capacitive 10pt touch screen with AG-coating

The ProLite T1532MSC 15" multi-touch screen is based on projected capacitive technology which thanks to a glass overlay covering the screen guarantees high durability, scratch-resistance and perfect picture performance. The Anti Glare coating helps to avoid issues with reflections and external light sources affecting colour reproduction, contrast and sharpness. The touch function remains unaffected even if the glass is scratched. A solid and steady base supports the TouchScreen with an adjustable stand offering full 90 degree positioning angles. Menu Buttons are located on the side of the screen which can be locked to prevent tampering and includes a handy function to deactivate the TouchScreen for cleaning. In addition the edge-to-edge glass design creates an eye-catching finish with high light transmission guaranteeing perfect picture clarity and brilliant colours.



### Touch technology - Capacitive

This technology uses a sensor-grid of micro-fine wires integrated into the glass that covers the screen. Touch is detected because electrical characteristics of the sensor grid change when human finger is placed on the glass. Thanks to the glass overlay this technology is highly durable, and the touch function remains unaffected even if the glass is scratched. It offers perfect picture performance and will work with human finger (also latex gloved) and stylus-pen.



### AG Coating

The anti-glare coating is used in professional-grade displays to help avoid issues with reflections and external light sources affecting colour reproduction, contrast and sharpness. It also makes the screen less susceptible to dust, grease and dirt marks.

## 01 DISPLAY CHARACTERISTICS

|                                |   |
|--------------------------------|---|
| <b>Design</b>                  | Edge to edge glass  |
| <b>Diagonal</b>                | 15", 38cm   |
| <b>Panel</b>                   | TN LED, AG coated glass   |
| <b>Native resolution</b>       | 1024 x 768 (0.8 megapixel)  |
| <b>Aspect ratio</b>            | 4:3   |
| <b>Panel brightness</b>        | 370 cd/m <sup>2</sup>   |
| <b>Brightness</b>              | 315 cd/m <sup>2</sup> with touch                                      |
| <b>Light transmittance</b>     | 85%   |
| <b>Static contrast</b>         | 700:1 with touch  |
| <b>Response time (GTG)</b>     | 8ms   |
| <b>Viewing zone</b>            | horizontal/vertical: 170°/160°, right/left: 85°/85°, up/down: 80°/80° |
| <b>Colour support</b>          | 16.7mln   |
| <b>Horizontal Sync</b>         | 31,4 - 60kHz  |
| <b>Viewable area W x H</b>     | 304 x 228mm, 12 x 9"  |
| <b>Pixel pitch</b>             | 0.297mm   |
| <b>Bezel colour and finish</b> | black, matte  |

## 02 TOUCH

|                                    |   |
|------------------------------------|---|
| <b>Touch technology</b>            | projective capacitive   |
| <b>Touch points</b>                | 10 (HID, only with supported OS)  |
| <b>Touch method</b>                | stylus, finger, glove (latex)   |
| <b>Touch interface</b>             | USB   |
| <b>Supported operating systems</b> | All iiyama monitors are Plug & Play and compatible with Windows and Linux. For details regarding the supported OS for the touch models, please refer to the driver instruction file available in the downloads section. |

## 03 INTERFACES / CONNECTORS / CONTROLS

|                             |                 |
|-----------------------------|-----------------|
| <b>Analog signal input</b>  | VGA x1          |
| <b>Digital signal input</b> | DVI x1          |
| <b>Audio output</b>         | Speakers 2 x 1W |

## 04 FEATURES

|                                  |              |
|----------------------------------|--------------|
| <b>Water and dust protection</b> | IP54 (front) |
| <b>OSD key lock</b>              | yes          |

## 05 GENERAL

|                        |  |
|------------------------|--|
| <b>OSD languages</b>   | EN, DE, FR, ES, IT, CN, JP   |
| <b>Control buttons</b> | Menu, Scroll up/ Brightness, Scroll down/ Mute, Select/ Auto, Power  |
| <b>User controls</b>   | contrast, brightness, auto adjust, H.position, V.position, H.size, phase, OSD H.position, OSD V.position, OSD timeout, reset, input select, OSD language, colour temperature, volume, mute |
| <b>Convenience</b>     | Kensington-lock™ prepared  |
| <b>Plug&amp;Play</b>   | DDC2B  |

## 06 MECHANICAL

**Tilt angle** 90° up; 5° down

**VESA mounting** 100 x 100mm

**Cable management system** yes

## 07 ACCESSORIES INCLUDED

**Cables** power, VGA, DVI, USB, Audio

**Guides** quick start guide, safety guide

**Other** Touch Panel Driver Disk (CD-ROM)

**Cable cover** yes

## 08 POWER MANAGEMENT

**Power supply unit** internal

**Power supply** AC 100 - 240V, 50/60Hz

**Power usage** 16W typical, 2W stand by, 2W off mode

## 09 SUSTAINABILITY

**Regulations** CB, CE, TÜV-Bauart, RoHS support, ErP, WEEE, CU, cULus, VCCI, REACH

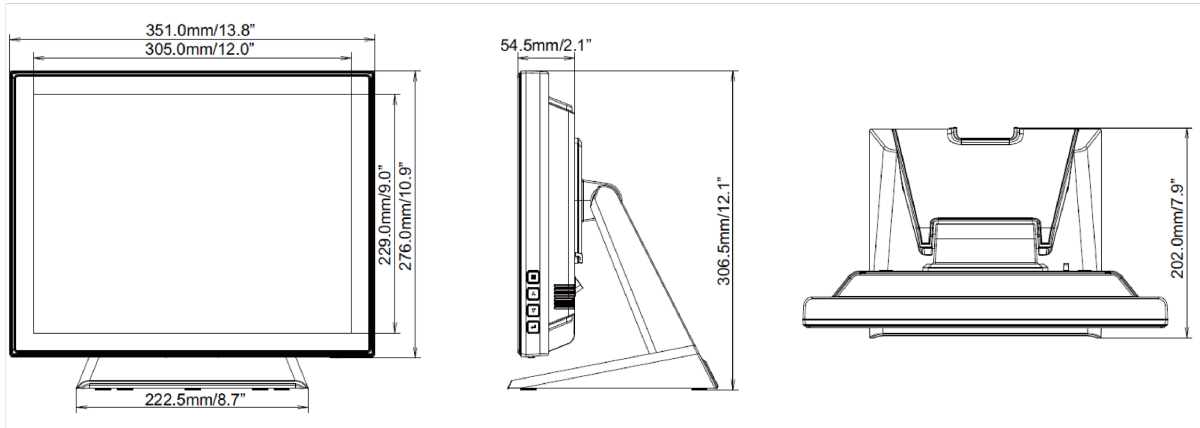
**REACH SVHC** above 0.1%: Lead

## 10 DIMENSIONS / WEIGHT

**Product dimensions W x H x D** 351 x 306.5 x 202mm

**Weight (without box)** 4.5kg

**EAN code** 4948570114597



*All trademarks and registered trademarks acknowledged. E & O E. Specification subject to change without notice. All LCD's comply with ISO-9241-307:2008 in connection with pixel defects.*

© IIYAMA CORPORATION. ALL RIGHTS RESERVED