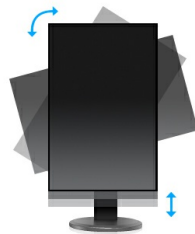




**High-end 24" AMVA monitor featuring height adjustable stand**

ProLite XB2483HSU-B2 - a 24" LED backlit LCD Screen featuring AMVA panel technology, guarantees accurate and consistent colour reproduction with wide viewing angles. Offering 24 bit 'True Colour' and great performance for displaying Black and White with the 3000:1 Native Contrast Ratio, means that the ProLite XB2483HSU-B2 will provide excellent performance for Photographic, Design and Web-design. The monitor features a height adjustable stand with PIVOT function making it also an excellent choice for Universities, Corporate and Financial Markets.



**HAS + Pivot**

With a height adjustable stand you will create an ergonomic work posture and position that meets all health and safety requirements. This will not only prevent any health issues but will also increase your productivity. The pivot function allows the screen to rotate from landscape to portrait orientation. This functionality can be useful if the application requires more height than width.



**AMVA**

AMVA technology offers higher contrast, darker blacks and much better viewing angles than standard TN technology. The screen will look good no matter what angle you look at it.

## 01 DISPLAY CHARACTERISTICS

Diagonal	23.8", 60.5cm
Panel	AMVA LED, matte finish
Native resolution	1920 x 1080 (Full HD 1080p, 2.1 megapixel)
Aspect ratio	16:9
Brightness	250 cd/m <sup>2</sup> typical
Static contrast	3 000:1 typical
Advanced contrast	12M:1
Response time	4ms
Viewing zone	horizontal/vertical: 178°/178°, right/left: 89°/89°, up/down: 89°/89°
Colour support	16.7mIn 8bit (6bit + Hi-FRC)
Horizontal Sync	30 - 80KHz
Vertical Sync	55 - 75Hz
Viewable area W x H	527 x 296.5mm, 20.7 x 11.7"
Pixel pitch	0.275mm

## 02 INTERFACES / CONNECTORS / CONTROLS

Signal input	VGA x1 DVI x1 HDMI x1
USB HUB	x0

## 03 FEATURES

OSD languages	EN, DE, FR, ES, IT, PT, CN, RU, JP, CZ, NL, PL
Control buttons	Power, Menu/ Select, Scroll up/ Volume, Scroll down/ ECO, Exit, Auto
User controls	auto adjust, luminance (brightness, contrast), geometry (H. position, V. position, clock, phase), colour, OSD (H. position, V. position, timeout), language, recall, miscellaneous (sharpness, DDC/CI, display information, ACR, display mode, OD, opening logo), input select, audio adjust (volume, mute, HDMI audio)
Speakers	2 x 2W

## 04 MECHANICAL

Tilt angle	22° up; 5° down
VESA mounting	100 x 100mm

## 05 ACCESSORIES INCLUDED

Cables	power, USB
Other	quick start guide, safety guide

## 06 POWER MANAGEMENT

Power usage	26W typical, 0.5W stand by, 0.5W off mode
-------------	---

## 07 SUSTAINABILITY

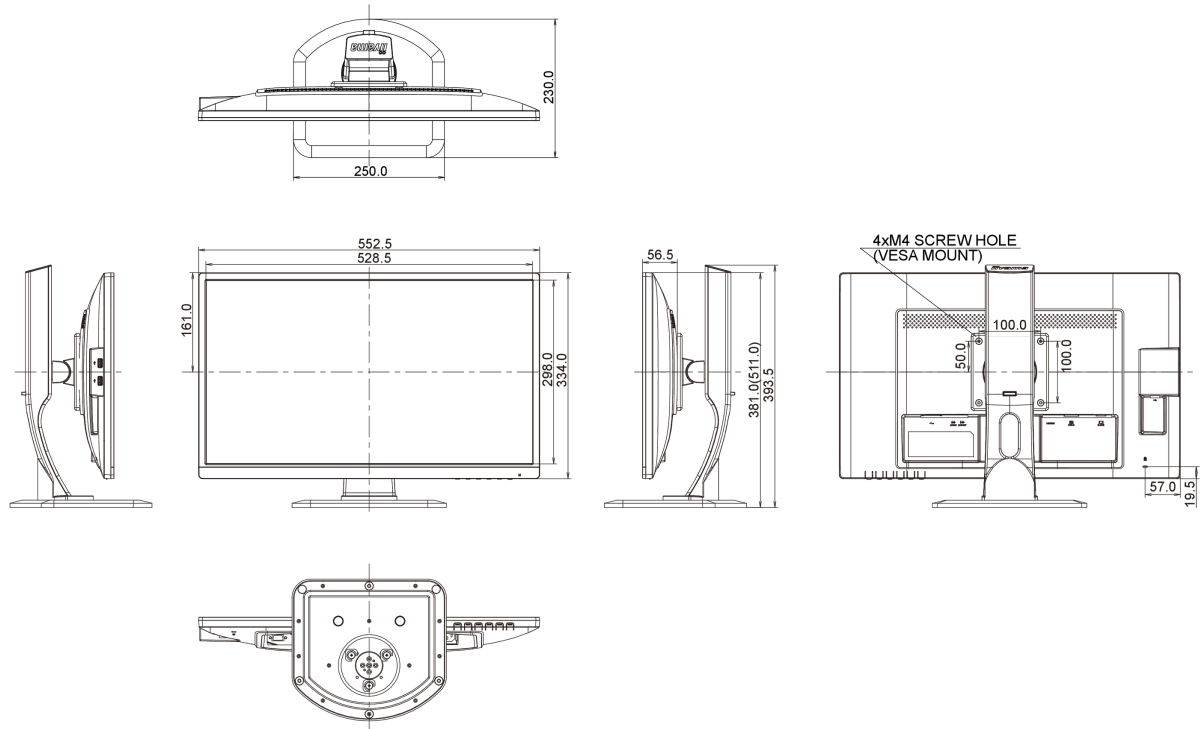
Regulations	TCO, CE, TÜV-GS, VCCI-B, PSE, CU
Energy efficiency class	B

## 08 DIMENSIONS / WEIGHT

Product dimensions W x H x D 552.5 x 381 (511) x 230mm

Weight (without box) 5.6kg

EAN code 4948570114689



## 10 EU ENERGY EFFICIENCY LABEL

Manufacturer	iiyama
Model	ProLite XB2483HSU-B2
Energy efficiency class	B
Power in Standby	0.5W stand by
Power in OFF Mode	0.5W off mode
Resolution	1920 x 1080

All trademarks and registered trademarks acknowledged. E & O E. Specification subject to change without notice. All LCD's comply with ISO-9241-307:2008 in connection with pixel defects.