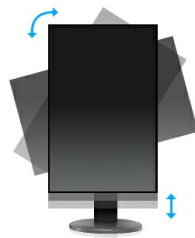




### ProLite B2282HD meets the needs of every user

The ProLite B2282HD is an excellent 22" Full HD LED-backlit monitor with 1920 x 1080p resolution. It features 5ms response time and >12 000 000 : 1 Advanced Contrast Ratio, assuring clear and vibrant picture quality and high contrast. The B2282HD is also Energy Star Certified. Height adjustable stand with PIVOT function makes this monitor an excellent choice for Universities, Corporate and Financial markets.



HAS + Pivot

With a height adjustable stand you will create an ergonomic work posture and position that meets all health and safety requirements. This will not only prevent any health issues but will also increase your productivity. The pivot function allows the screen to rotate from landscape to portrait orientation. This functionality can be useful if the application requires more height than width.



Full HD

With true 1920 x 1080p resolution your monitor is ready to display high definition images. This means you can accommodate more information on your screen; e.g. 60% more in comparison to a 1280 x 1024 monitor.

## 01 DISPLAY CHARACTERISTICS

|                     |   |
|---------------------|---|
| Diagonal            | 21.5", 54.7cm   |
| Panel               | TN LED, matte finish  |
| Native resolution   | 1920 x 1080 (Full HD 1080p, 2.1 megapixel)                            |
| Aspect ratio        | 16:9  |
| Panel brightness    | 250 cd/m <sup>2</sup>   |
| Static contrast     | 1000:1  |
| Advanced contrast   | 12M:1   |
| Response time (GTG) | 5ms   |
| Viewing zone        | horizontal/vertical: 170°/160°, right/left: 85°/85°, up/down: 80°/80° |
| Colour support      | 16.7mln   |
| Horizontal Sync     | 30 - 80kHz  |
| Viewable area W x H | 476.6 x 268.1mm, 18.8 x 10.6"   |
| Pixel pitch         | 0.248mm   |

## 02 INTERFACES / CONNECTORS / CONTROLS

|              |                  |
|--------------|------------------|
| Signal input | VGA x1<br>DVI x1 |
| USB HUB      | x0               |

## 03 FEATURES

|                 |  |
|-----------------|--|
| OSD languages   | EN, DE, FR, ES, IT, PT, CN, RU, JP, CZ, NL, PL   |
| Control buttons | Power, Menu/ Select, Scroll up, Scroll down/ ECO, Exit, Auto   |
| User controls   | auto adjust, luminance (brightness, contrast), geometry (H. position, V. position, pixel clock, phase), colour, OSD (H.position, V. position, OSD time), language, recall, miscellaneous (sharpness, DDC/CI, display information, ACR, display mode, opening logo), input select |

## 04 MECHANICAL

|               |                 |
|---------------|-----------------|
| Tilt angle    | 22° up; 5° down |
| VESA mounting | 100 x 100mm     |

## 05 ACCESSORIES INCLUDED

|        |                                 |
|--------|---------------------------------|
| Cables | power                           |
| Other  | quick start guide, safety guide |

## 06 POWER MANAGEMENT

|                   |   |
|-------------------|---|
| Power supply unit | internal                                |
| Power supply      | AC 100 - 240V, 50/60Hz                  |
| Power usage       | 21W typical, 05W stand by, 05W off mode |

## 07 SUSTAINABILITY

|             |  |
|-------------|--|
| Regulations | CE, VCCI-B, RoHS support, ErP, WEEE, CU, REACH |
| REACH SVHC  | above 0.1%: Lead                               |

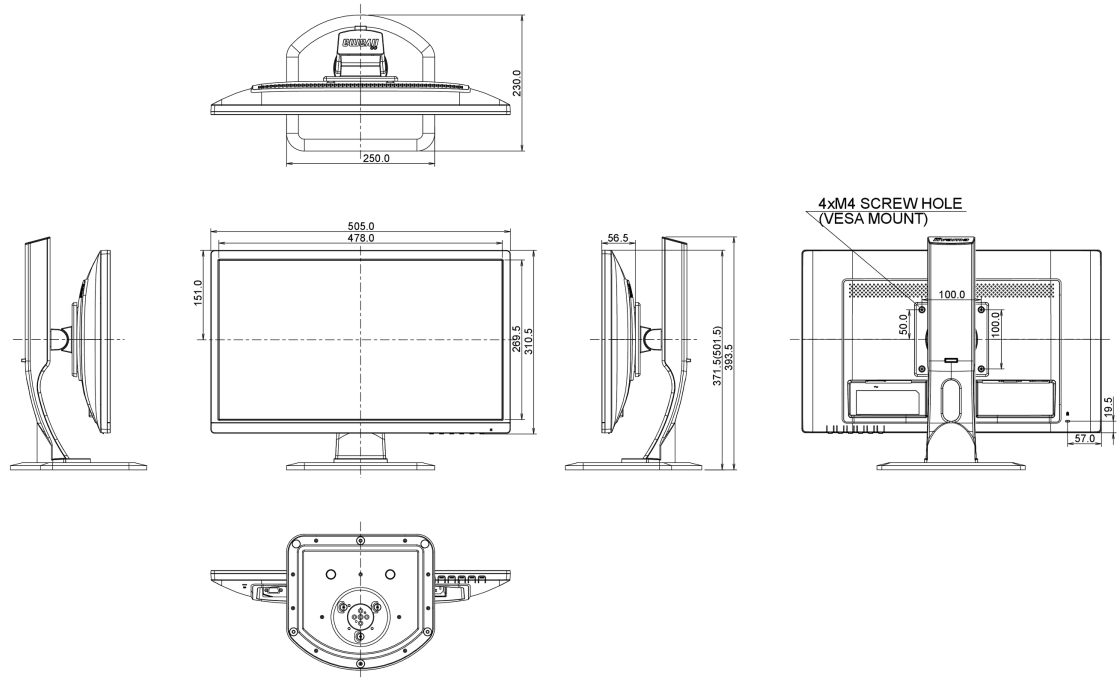
08 DIMENSIONS / WEIGHT

Product dimensions W x H x D

505.5 x 371.5 (501.5) x 230mm

Weight (without box)

4.7kg



All trademarks and registered trademarks acknowledged. E & O E. Specification subject to change without notice. All LCD's comply with ISO-9241-307:2008 in connection with pixel defects.

© IIYAMA CORPORATION. ALL RIGHTS RESERVED