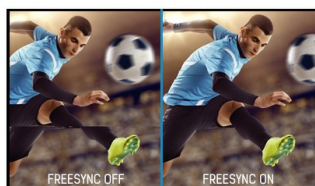




### High-end 27" WQHD monitor supporting FreeSync™ technology and 1ms response time

The ProLite B2783QSU is an excellent 27" WQHD LED-backlit monitor bringing the world of Business and Gaming together. The monitor offers accurate and consistent colour reproduction with wide viewing angles and a sharp high resolution 2560x1440 panel. Its ergonomic stand offers 13cm height adjustment with pivot and swivel, making this screen suitable for a wide range of applications and environments where workplace flexibility and ergonomics are key factors. This monitor supports FreeSync™ technology, offering gamers the chance to experience fluid and fracture free gaming. Triple input (DVI/HDMI/DisplayPort) and a USB HUB ensure compatibility with your desktop PC or Notebook.



#### FreeSync™ Technology

AMD FreeSync™ technology puts an end to choppy gameplay and broken frames with fluid, artifact-free performance at virtually any framerate.



#### Blue light reducer

As we all know looking at a monitor screen for several hours per day, especially from a closer distance, causes eye fatigue. This effect is much stronger with computer screens than with TV equipment. One of the factors responsible for this phenomenon is the blue light emitted by the screen. Therefore reducing the amount of blue light ultimately allows our eyes to feel less tired while working long hours with a computer screen. We achieved it by adjusting the monitor's brightness and color temperature through a new feature called "Blue light reduction" easily accessible through the monitor's OSD menu.

## 01 DISPLAY CHARACTERISTICS

Diagonal	27", 68.5cm
Panel	TN LED, matte finish
Native resolution	2560 x 1440 (3.7 megapixel)
Aspect ratio	16:9
Brightness	350 cd/m <sup>2</sup> typical
Static contrast	1000:1 typical
Advanced contrast	12M:1
Response time	1ms
Viewing zone	horizontal/vertical: 170°/160°, right/left: 85°/85°, up/down: 80°/80°
Viewing zone CR>5	horizontal/vertical: 176°/170°, right/left: 88°/88°, up/down: 85°/85°
Colour support	16.7mln 8bit (6bit + Hi-FRC) (sRGB: 99%; NTSC: 72%)
Horizontal Sync	30 - 90KHz
Vertical Sync	50 - 70Hz
Viewable area W x H	596.7 x 335.7mm, 23.5 x 13.2"
Pixel pitch	0.233mm
Colour	matte, black

## 02 INTERFACES / CONNECTORS / CONTROLS

Signal input	DVI x1 HDMI x1 DisplayPort x1
USB HUB	x2 (v.3.0)
HDCP	yes
Headphone connector	yes

## 03 FEATURES

Blue light reducer	yes
Flicker free	yes
FreeSync support	DisplayPort: 2560x1440 @48~70Hz
OSD languages	EN, DE, FR, ES, IT, CN, RU, JP, CZ, NL, PL
Control buttons	Power, Menu/ Select, Scroll up/ Volume, Scroll down/ ECO, Exit, Input
User controls	luminance (brightness, contrast), colour, OSD (H. position, V. position, timeout), language, recall, miscellaneous (sharpness, DDC/CI, display information, ACR, display mode, OD, opening logo, DP format), input select, audio adjust (volume, mute, digital audio), ECO mode, i-Style Colour, blue light reducer
Speakers	2 x 2W
Convenience	Kensington-lock™ prepared, DDC/CI, DDC2B, Mac OSX

## 04 MECHANICAL

Display position adjustments	height, pivot (rotation), swivel, tilt
Height adjustment	130mm
Rotation (PIVOT function)	90°
Swivel stand	90°; 45° left; 45° right
Tilt angle	22° up; 5° down
VESA mounting	100 x 100mm

## 05 ACCESSORIES INCLUDED

Cables	power, DVI, USB, Audio, DP
Other	quick start guide, safety guide

## 06 POWER MANAGEMENT

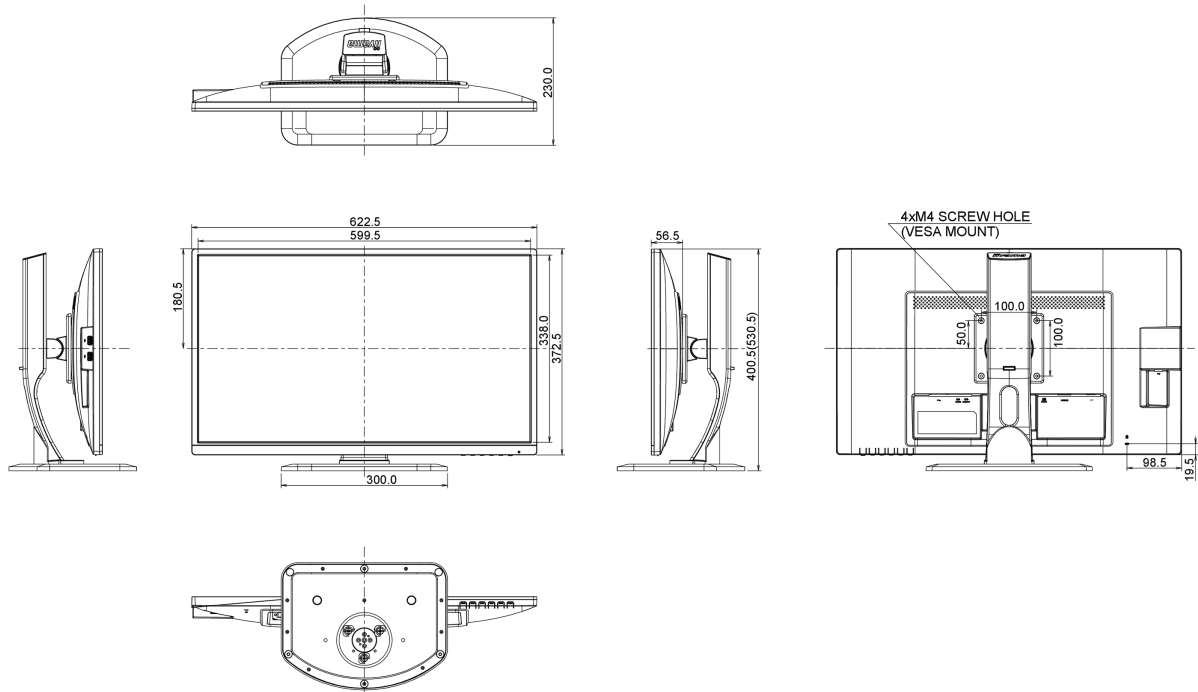
Power supply unit	internal
Power supply	AC 100 - 240V, 50/60Hz
Power usage	44W typical, 0.5W stand by, 0.5W off mode

## 07 SUSTAINABILITY

Regulations	CE, TÜV-GS, VCCI-B, PSE, CU
Energy efficiency class	B
Other	REACH SVHC above 0.1%: Lead

## 08 DIMENSIONS / WEIGHT

Product dimensions W x H x D	622.5 x 400.5 (530.5) x 230mm
Weight (without box)	6.1kg
EAN code	4948570114290



## 10 EU ENERGY EFFICIENCY LABEL

Manufacturer	iiyama
Model	ProLite B2783QSU-B1

Energy efficiency class	B
Visible screen diagonal	69cm; 27"; (27" segment)
ON mode power consumption	43W
Annual energy consumption	62kWh/annum*
Power in Standby	0.5W stand by
Power in OFF Mode	0.5W off mode
Resolution	2560 x 1440

*This is information under Regulation (EU) No 1062/2010.\*Based on the power consumption of the television operating 4 hours per day for 365 days. The actual energy consumption will depend on how the television is used.*

*All trademarks and registered trademarks acknowledged. E & O E. Specification subject to change without notice. All LCD's comply with ISO-9241-307:2008 in connection with pixel defects.*

© IYAMA CORPORATION. ALL RIGHTS RESERVED