



40" 4K monitor with high contrast, MVA panel and robust metal bezel

The ProLite LE4041UHS is an excellent 4K (3840 x 2160) monitor, offering a gigantic viewable area with 4 times more information and work space than a Full HD screen. Due to the high DPI (dots per inch) the monitor displays an incredibly sharp and crisp image. The VA panel technology offers exceptional colour performance, high contrast (5000:1) and wide viewing angles. The display supports PIP function, which allows users to watch images coming from different sources. The OSD can be controlled with both control buttons and an included remote control. The ProLite LE4041UHS suits a massive range of applications including public signage, retail, photographic and web design, and gaming.



4K

UHD resolution (3840x2160), better known as 4K, offers a gigantic viewable area with 4 times more information and work space than a Full HD screen. Due to the high DPI (dots per inch), it displays an incredibly sharp and crisp image.



MVA

MVA technology offers higher contrast, darker blacks and much better viewing angles than standard TN technology. The screen will look good no matter what angle you look at it.

01 DISPLAY CHARACTERISTICS

Diagonal	39.5", 100.3cm
Panel	MVA LED, matte finish
Native resolution	3840 x 2160 (8.3 megapixel 4K)
Aspect ratio	16:9
Brightness	350 cd/m ² typical
Static contrast	5000:1 typical
Advanced contrast	12M:1
Response time	4ms
Viewing zone	horizontal/vertical: 178°/178°, right/left: 89°/89°, up/down: 89°/89°
Colour support	1.07B 10bit
Horizontal Sync	30 - 135KHz
Vertical Sync	24 - 75Hz
Viewable area W x H	878.11 x 485.35mm, 34.6 x 19.1"
Pixel pitch	0.229mm
Bezel colour and finish	black, matte

02 INTERFACES / CONNECTORS / CONTROLS

Analog signal input	VGA x1
Digital signal input	DVI x1 HDMI x2 DisplayPort x1
Audio input	Mini jack x1
Digital signal output	DisplayPort x1
Audio output	Mini jack x1 Speakers 2 x 6W

03 FEATURES

PiP	yes
PbP	yes
Max. non-stop operating time	12/7

04 GENERAL

OSD languages	EN, DE, FR, IT, CN, RU, JP, CZ, NL, PL
User controls	input select, picture (picture format, contrast, brightness, sharpness, OD, ACR, ECO mode), PiP/PbP (PiP/PbP mode, sub win inputs, PiP size, PiP position, swap), audio (volume, mute, audio input), colour, language, OSD setting (OSD H. position, OSD V. position, OSD background, OSD time out, opening logo, OSD rotate, monitor ID), setup menu (auto image adjust, H. position, V. position, phase, clock, DisplayPort, blue light reducer, scheduling, memory recall, information)
Blue light reducer	yes
Plug&Play	DDC2B, Mac OSX

05 MECHANICAL

Orientation	landscape
Fanless design	yes
VESA mounting	400 x 200mm

06 ACCESSORIES INCLUDED

Cables	power, VGA, DVI, HDMI, mDP - DP
Guides	quick start guide, safety guide
Remote control	yes

07 POWER MANAGEMENT

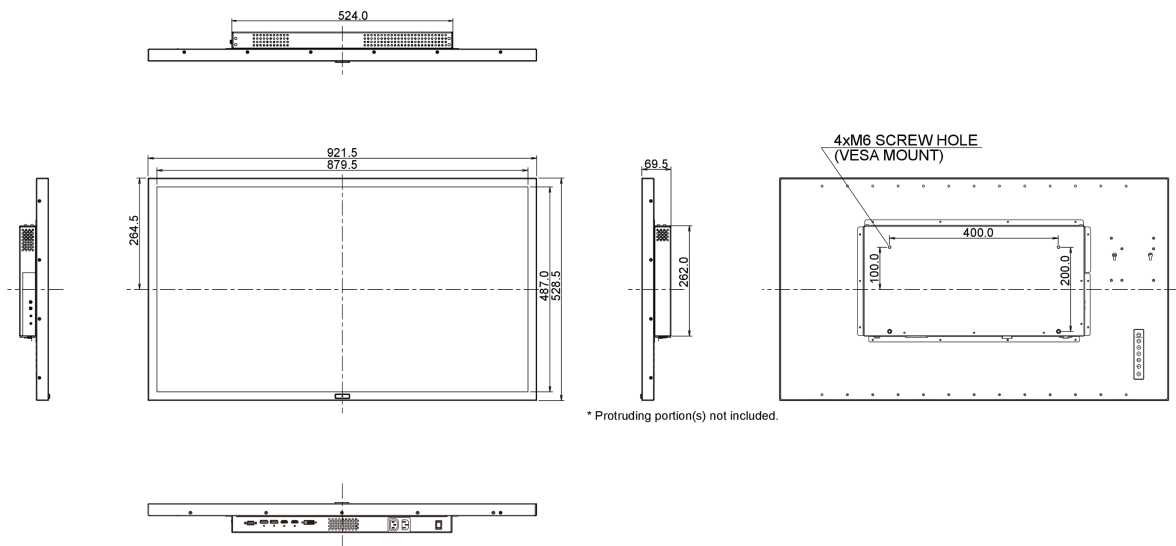
Power supply unit	internal
Power supply	AC 100 - 240V, 50/60Hz
Power usage	61W typical

08 SUSTAINABILITY

Regulations	CE, TÜV-Bauart, VCCI-B, PSE, CU
Energy efficiency class	B
Other	REACH SVHC above 0.1%: Lead

09 DIMENSIONS / WEIGHT

Product dimensions W x H x D	921.5 x 528.5 x 69.5mm
Weight (without box)	15.6kg
EAN code	4948570114252



10 EU ENERGY EFFICIENCY LABEL

Manufacturer

iiyama

Model	ProLite LE4041UHS-B1
Energy efficiency class	B
Visible screen diagonal	100cm; 39.5"; (40" segment)
ON mode power consumption	64.4W
Annual energy consumption	94kWh/annum*
Resolution	3840 x 2160

*This is information under Regulation (EU) No 1062/2010.*Based on the power consumption of the television operating 4 hours per day for 365 days. The actual energy consumption will depend on how the television is used.*

All trademarks and registered trademarks acknowledged. E & O E. Specification subject to change without notice. All LCD's comply with ISO-9241-307:2008 in connection with pixel defects.

© IIYAMA CORPORATION. ALL RIGHTS RESERVED