



**High-end 24" VA monitor featuring height adjustable stand**

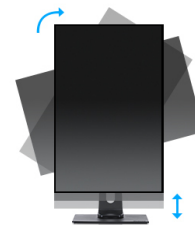
ProLite XB2481HS - a 24" LED backlit LCD Screen featuring VA panel technology, guarantees accurate and consistent colour reproduction with wide viewing angles. Offering 3000:1 Native Contrast Ratio, the Prolite XB2481HS provides excellent performance for Photographic, Design and Web-design. The monitor features a height adjustable stand with PIVOT function making it also an excellent choice for Universities, Corporate and Financial Markets.

Available also with fixed stand: [ProLite X2481HS-B1](#)



VA matrix

VA panel technology offers higher contrast, darker blacks and much better viewing angles than standard TN technology. The screen will look good no matter what angle you look at it.



HAS + Pivot

With a height adjustable stand you will create an ergonomic work posture and position that meets all health and safety requirements. This will not only prevent any health issues but will also increase your productivity. The pivot function allows the screen to rotate from landscape to portrait orientation. This functionality can be useful if the application requires more height than width.

## 01 DISPLAY CHARACTERISTICS

Diagonal	23.6", 60cm
Panel	VA LED, matte finish
Native resolution	1920 x 1080 (2.1 megapixel Full HD)
Aspect ratio	16:9
Brightness	250 cd/m <sup>2</sup> typical
Static contrast	3000:1 typical
Advanced contrast	12M:1
Response time (GTG)	6ms
Viewing zone	horizontal/vertical: 178°/178°, right/left: 89°/89°, up/down: 89°/89°
Colour support	16.7mIn (sRGB: 99%; NTSC: 72%)
Horizontal Sync	24 - 80kHz
Vertical Sync	56 - 75Hz
Viewable area W x H	521.28 x 293.22mm, 20.5 x 11.5"
Pixel pitch	0.2715mm
Colour	matte

## 02 INTERFACES / CONNECTORS / CONTROLS

Signal input	VGA x1 DVI x1 HDMI x1
HDCP	yes

## 03 FEATURES

Blue light reducer	yes
OSD languages	EN, DE, FR, ES, IT, PT, CN, RU, JP
Control buttons	Power, Menu, +/-Volume/Blue Light Reducer, -, Auto
User controls	luminance (contrast, brightness, ECO, i-style Colour, ACR), image steep (clock, phase, H. position, V. position, aspect), colour (gamma, colour temperature, sRGB), OSD setup (H. position, V. position, OSD time out, language), extra (reset, signal select, HDMI audio, OD, information), volume, auto adjust
Speakers	2 x 2W
Convenience	Kensington-lock™ prepared, DDC2B, Mac OSX

## 04 MECHANICAL

Display position adjustments	height, pivot (rotation), swivel, tilt
Height adjustment	130mm
Rotation (PIVOT function)	90°
Swivel stand	90°; 45° left; 45° right
Tilt angle	22° up; 5° down
VESA mounting	100 x 100mm

## 05 ACCESSORIES INCLUDED

Cables	power, DVI, Audio
Other	quick start guide, safety guide

## 06 POWER MANAGEMENT

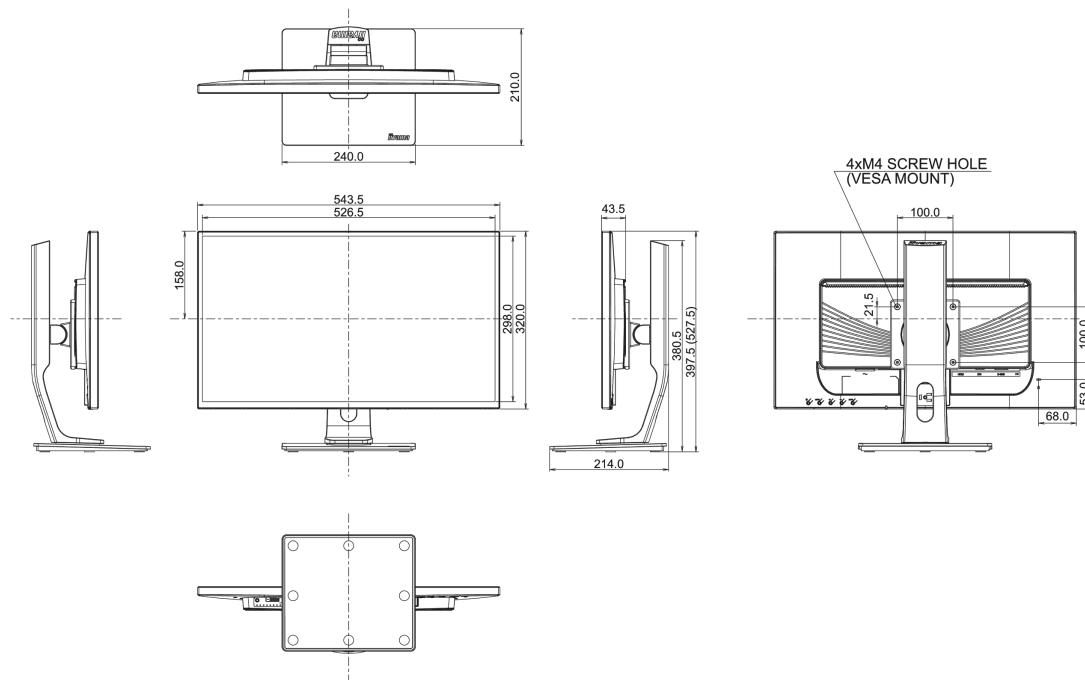
Power supply unit	internal
Power supply	AC 100 - 240V, 50/60Hz
Power usage	25W typical, 0.3W stand by, 0.25W off mode

## 07 SUSTAINABILITY

Regulations	CE, TÜV-GS, RoHS support, ErP, WEEE, CU, REACH
Energy efficiency class	B
Other	REACH SVHC above 0.1%: Lead

## 08 DIMENSIONS / WEIGHT

Product dimensions W x H x D	543.5 x 397.5 (527.5) x 210mm
Weight (without box)	5.4kg
EAN code	4948570113583



## 10 EU ENERGY EFFICIENCY LABEL

Manufacturer	iiyama
Model	ProLite XB2481HS-B1
Energy efficiency class	B
Visible screen diagonal	60cm; 23.6"; (24" segment)
ON mode power consumption	28W
Annual energy consumption	41kWh/annum*
Power in Standby	0.3W stand by

Power in OFF Mode	0.25W off mode
Resolution	1920 x 1080

*All trademarks and registered trademarks acknowledged. E & O E. Specification subject to change without notice. All LCD's comply with ISO-9241-307:2008 in connection with pixel defects.*

© IIYAMA CORPORATION. ALL RIGHTS RESERVED