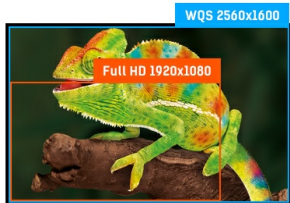




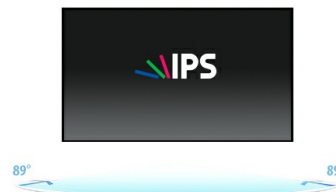
**30" AH-IPS LED-backlit screen capable of displaying 109% AdobeRGB, 146% sRGB and 104% NTSC colours**

The high colour gamut iiyama XB3070WQS is the perfect choice for graphic and web-design. It features WQS (2560 x 1600) resolution offering huge workspace allowing users to display and manipulate multiple applications at the same time. The AH-IPS matrix guarantees high performance with accurate and consistent colour reproduction, wide viewing angles and a fast response time. Optimal viewing comfort is guaranteed by the height adjustable stand.



WQS

16: 10; 2560 x 1600 ( 4.1 megapixel)



AH-IPS

The AH-IPS panel technology guarantees consistent colour reproduction with wide viewing angles and high contrast and therefore it is especially recommended for graphics design and other applications which require colours to be displayed accurately. The response time of the panel allows for smooth playback while watching films and playing games, making the IPS the best all-round technology suitable for both business and home use.

## 01 DISPLAY CHARACTERISTICS

|                     |   |
|---------------------|---|
| Diagonal            | 30", 75.6cm   |
| Panel               | AH-IPS LED, matte finish  |
| Native resolution   | 2560 x 1600 (4.1 megapixel WQS)                                       |
| Aspect ratio        | 16:10   |
| Panel brightness    | 350 cd/m <sup>2</sup>   |
| Static contrast     | 1 000:1   |
| Advanced contrast   | 5M:1  |
| Response time (GTG) | 5ms   |
| Viewing zone        | horizontal/vertical: 178°/178°, right/left: 89°/89°, up/down: 89°/89° |
| Colour support      | 16.7mIn (AdobeRGB: 109%, sRGB: 146%, 104% (NTSC))                     |
| Horizontal Sync     | 24 - 80kHz  |
| Viewable area W x H | 641.3 x 400.8mm, 25.2 x 15.8"   |
| Pixel pitch         | 0.251mm   |
| Colour              | matte   |

## 02 INTERFACES / CONNECTORS / CONTROLS

|                     |   |
|---------------------|---|
| Signal input        | VGA x1<br>DVI x1<br>HDMI x1<br>DisplayPort x1 |
| HDCP                | yes   |
| Headphone connector | yes   |

## 03 FEATURES

|                    |  |
|--------------------|--|
| Blue light reducer | yes  |
| Flicker free       | yes  |
| OSD languages      | EN, DE, FR, CN, RU, JP, NL, PL   |
| Control buttons    | Power, Volume +, Volume -, Input/ Select/ Blue Light Reducer, Scroll up/ Colour Adjust, Scroll down/ i-Style Colour, Menu  |
| User controls      | picture (brightness, contrast, ACR, ECO mode, OD), input select, audio (volume, mute, audio input), colour adjust, information, manual image adjust (H./V. position, clock, phase, sharpness, video mode adjust, blue light reducer), setup menu (OSD setup menu, language, opening logo, LED, auto image adjust, memory recall) |
| Speakers           | 2 x 3W   |
| Convenience        | Kensington-lock™ prepared, DDC2B, Mac OSX  |

## 04 MECHANICAL

|                              |                          |
|------------------------------|--------------------------|
| Display position adjustments | height, swivel, tilt     |
| Height adjustment            | 107mm                    |
| Swivel stand                 | 90°; 45° left; 45° right |
| Tilt angle                   | 17° up; 0° down          |
| VESA mounting                | 100 x 100mm              |

## 05 ACCESSORIES INCLUDED

|        |                                 |
|--------|---------------------------------|
| Cables | power, DVI, Audio, mDP - DP, DP |
| Other  | quick start guide, safety guide |

## 06 POWER MANAGEMENT

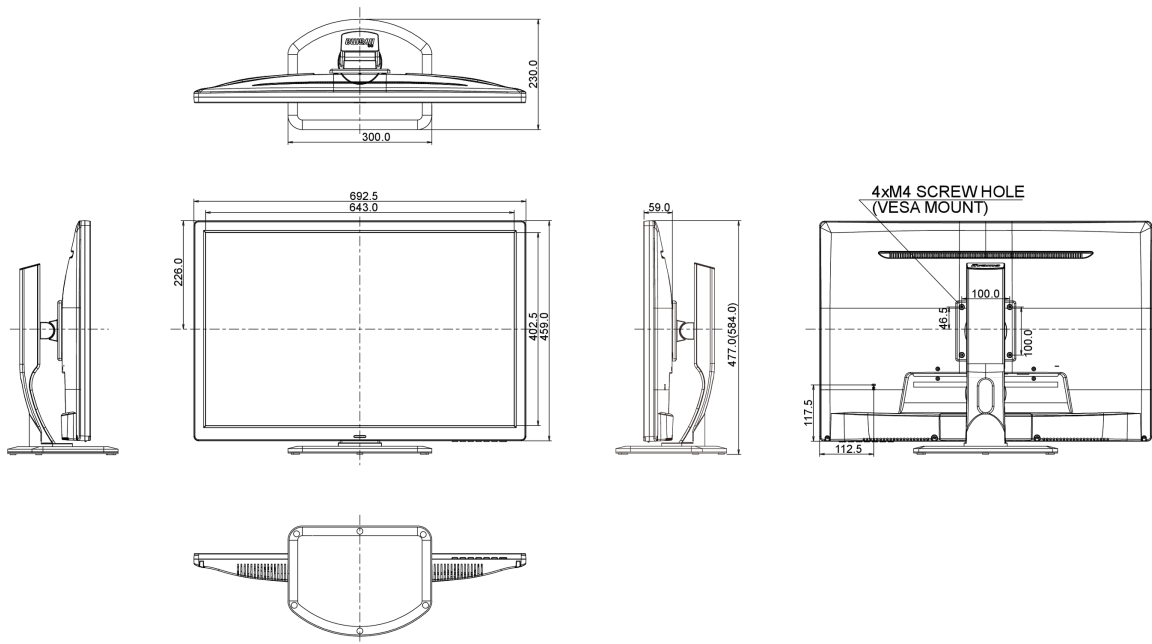
|                   |   |
|-------------------|---|
| Power supply unit | internal                                  |
| Power supply      | AC 100 - 240V, 50/60Hz                    |
| Power usage       | 73W typical, 0.5W stand by, 0.5W off mode |

## 07 SUSTAINABILITY

|             |   |
|-------------|---|
| Regulations | CE, TÜV-GS, VCCI-B, PSE, RoHS support, ErP, WEEE, CU, REACH |
| REACH SVHC  | above 0.1%: Lead  |

## 08 DIMENSIONS / WEIGHT

|                              |                           |
|------------------------------|---------------------------|
| Product dimensions W x H x D | 692.5 x 477 (584) x 230mm |
| Weight (without box)         | 7.4kg                     |
| EAN code                     | 4948570113286             |



All trademarks and registered trademarks acknowledged. E & O E. Specification subject to change without notice. All LCD's comply with ISO-9241-307:2008 in connection with pixel defects.

© IIYAMA CORPORATION. ALL RIGHTS RESERVED