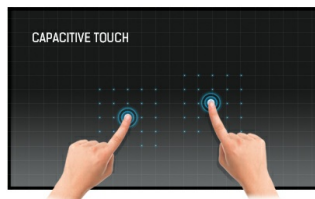




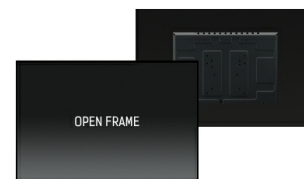
### 32" 30 point multi-touch monitor built into an eye catching bezel with Edge to Edge glass

With 1920x1080 Full HD resolution and Projective Capacitive 30 point touch technology, the ProLite T3234MSC-B3X delivers seamless and accurate touch response. Featuring an AMVA3 PID grade LED LCD screen technology, it offers exceptional colour performance and wide viewing angles, making it a perfect interactive display for Interactive Digital Signage. In addition to the superb image quality, the screen comes with a rugged bezel making it suitable for demanding environments. The screen features a vast array of inputs including DVI as well as USB for the Touch sensor itself. The ProLite T3234MSC-B3X is the ideal solution for Interactive Digital Signage, Instore Retail, Kiosks, Gaming and Interactive Presentations.



#### Touch technology - Capacitive

This technology uses a sensor-grid of micro-fine wires integrated into the glass that covers the screen. Touch is detected because electrical characteristics of the sensor grid change when human finger is placed on the glass. Thanks to the glass overlay this technology is highly durable, and the touch function remains unaffected even if the glass is scratched. It offers perfect picture performance and will work with human finger (also latex gloved) and stylus-pen.



#### Open frame

Open frame monitors feature special mounting screw holes on all sides of the monitor that can be used for installing the monitor. Open Frame monitors are an ideal solution for kiosk integrators and Instore Retail.

## 01 DISPLAY CHARACTERISTICS

<b>Design</b>	Edge to edge glass
<b>Diagonal</b>	31.5", 80cm
<b>Panel</b>	AMVA3 Edge LED
<b>Native resolution</b>	1920 x 1080 (2.1 megapixel Full HD)
<b>Aspect ratio</b>	16:9
<b>Panel brightness</b>	500 cd/m <sup>2</sup>
<b>Brightness</b>	450 cd/m <sup>2</sup> with touch
<b>Light transmittance</b>	90%
<b>Static contrast</b>	3 000:1 with touch
<b>Response time (GTG)</b>	8ms
<b>Viewing zone</b>	horizontal/vertical: 178°/178°, right/left: 89°/89°, up/down: 89°/89°
<b>Colour support</b>	16.7mln
<b>Horizontal Sync</b>	31,47 - 67.5kHz
<b>Viewable area W x H</b>	698.4 x 392.8mm, 27.5 x 15.5"
<b>Pixel pitch</b>	0.364mm
<b>Bezel colour and finish</b>	black, matte

## 02 TOUCH

<b>Touch technology</b>	projective capacitive
<b>Touch points</b>	30 (HID, only with supported OS)
<b>Touch method</b>	stylus, finger, glove (latex)
<b>Touch interface</b>	USB
<b>Supported operating systems</b>	All iiyama monitors are Plug & Play and compatible with Windows and Linux. For details regarding the supported OS for the touch models, please refer to the driver instruction file available in the downloads section.

## 03 INTERFACES / CONNECTORS / CONTROLS

<b>Analog signal input</b>	VGA x1
<b>Digital signal input</b>	DVI x1
<b>Audio output</b>	Speakers 2 x 8W
<b>Monitor control output</b>	RS-232c x1

## 04 FEATURES

<b>Water and dust protection</b>	IP1 (front)
<b>OSD key lock</b>	yes

## 05 GENERAL

<b>OSD languages</b>	EN, DE, FR, ES, IT, CN, JP
<b>Control buttons</b>	Menu, Scroll up/ Brightness, Scroll down/ Mute, Select/ Auto, Power
<b>User controls</b>	contrast, brightness, auto adjust, H.position, V.position, H.size, phase, OSD H.position, OSD V.position, OSD timeout, reset, input select, OSD language, colour temperature, volume, mute
<b>Plug&amp;Play</b>	DDC2B

## 06 MECHANICAL

**Orientation** landscape, portrait

## 07 ACCESSORIES INCLUDED

**Cables** power, VGA, DVI, USB, Audio

**Guides** quick start guide, safety guide

**Other** Touch Panel Driver Disk (CD-ROM)

## 08 POWER MANAGEMENT

**Power supply unit** internal

**Power supply** AC 100 - 240V, 50/60Hz

**Power usage** 65W typical, 2W stand by, 2W off mode

## 09 SUSTAINABILITY

**Regulations** CE, TÜV-Bauart, RoHS support, ErP, WEEE, CU, REACH

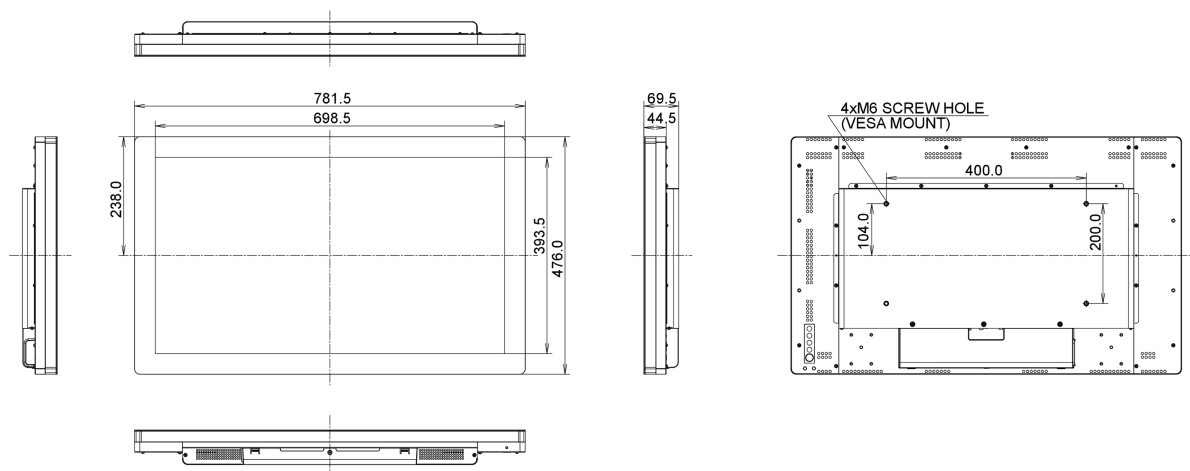
**REACH SVHC** above 0.1%: Lead

## 10 DIMENSIONS / WEIGHT

**Product dimensions W x H x D** 781.5 x 476 x 69,5mm

**Weight (without box)** 16.2kg

**EAN code** 4948570113200



*All trademarks and registered trademarks acknowledged. E & O E. Specification subject to change without notice. All LCD's comply with ISO-9241-307:2008 in connection with pixel defects.*

© IYAMA CORPORATION. ALL RIGHTS RESERVED