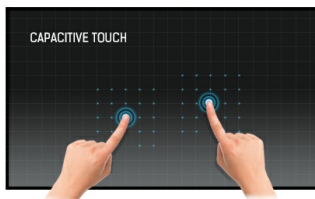




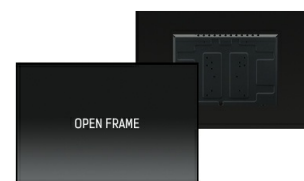
32" 30 point multi-touch monitor built into an eye catching bezel with Edge to Edge glass

With 1920x1080 Full HD resolution and Projective Capacitive 30 point touch technology, the ProLite T3234MSC-B3X delivers seamless and accurate touch response. Featuring an AMVA3 PID grade LED LCD screen technology, it offers exceptional colour performance and wide viewing angles, making it a perfect interactive display for Interactive Digital Signage. In addition to the superb image quality, the screen comes with a rugged bezel making it suitable for demanding environments. The screen features a vast array of inputs including DVI as well as USB for the Touch sensor itself. The ProLite T3234MSC-B3X is the ideal solution for Interactive Digital Signage, Instore Retail, Kiosks, Gaming and Interactive Presentations.



Touch technology - Capacitive

This technology uses a sensor-grid of micro-fine wires integrated into the glass that covers the screen. Touch is detected because electrical characteristics of the sensor grid change when human finger is placed on the glass. Thanks to the glass overlay this technology is highly durable, and the touch function remains unaffected even if the glass is scratched. It offers perfect picture performance and will work with human finger (also latex gloved) and stylus-pen.



Open frame LFD

Open frame monitors feature special mounting screw holes on all sides of the monitor that can be used for installing the monitor. Open Frame monitors are an ideal solution for kiosk integrators and Instore Retail.

01 DISPLAY CHARACTERISTICS

Design	Edge to edge glass
Diagonal	31.5", 80cm
Panel	AMVA3 Edge LED
Native resolution	1920 x 1080 (2.1 megapixel Full HD)
Aspect ratio	16:9
Panel brightness	500 cd/m ²
Brightness	450 cd/m ² with touch
Light transmittance	90%
Static contrast	3 000:1 with touch
Response time (GTG)	8ms
Viewing zone	horizontal/vertical: 178°/178°, right/left: 89°/89°, up/down: 89°/89°
Colour support	16.7mln
Horizontal Sync	31,47 - 67.5kHz
Viewable area W x H	698.4 x 392.8mm, 27.5 x 15.5"
Pixel pitch	0.364mm
Bezel colour and finish	black, matte

02 TOUCH

Touch technology	projective capacitive
Touch points	30 (HID, only with supported OS)
Touch method	stylus, finger, glove (latex)
Touch interface	USB
Supported operating systems	All iiyama monitors are Plug & Play and compatible with Windows and Linux. For details regarding the supported OS for the touch models, please refer to the driver instruction file available in the downloads section.

03 INTERFACES / CONNECTORS / CONTROLS

Analog signal input	VGA x1
Digital signal input	DVI x1
Audio output	Speakers 2 x 8W
Monitor control output	RS-232c x1

04 FEATURES

Water and dust protection	IP1 (front)
OSD key lock	yes

05 GENERAL

OSD languages	EN, DE, FR, ES, IT, CN, JP
Control buttons	Menu, Scroll up/ Brightness, Scroll down/ Mute, Select/ Auto, Power
User controls	contrast, brightness, auto adjust, H.position, V.position, H.size, phase, OSD H.position, OSD V.position, OSD timeout, reset, input select, OSD language, colour temperature, volume, mute
Plug&Play	DDC2B

06 MECHANICAL

Orientation landscape, portrait

07 ACCESSORIES INCLUDED

Cables power, VGA, DVI, USB, Audio

Guides quick start guide, safety guide

Other Touch Panel Driver Disk (CD-ROM)

08 POWER MANAGEMENT

Power supply unit internal

Power supply AC 100 - 240V, 50/60Hz

Power usage 65W typical, 2W stand by, 2W off mode

09 SUSTAINABILITY

Regulations CE, TÜV-Bauart, RoHS support, ErP, WEEE, CU, REACH

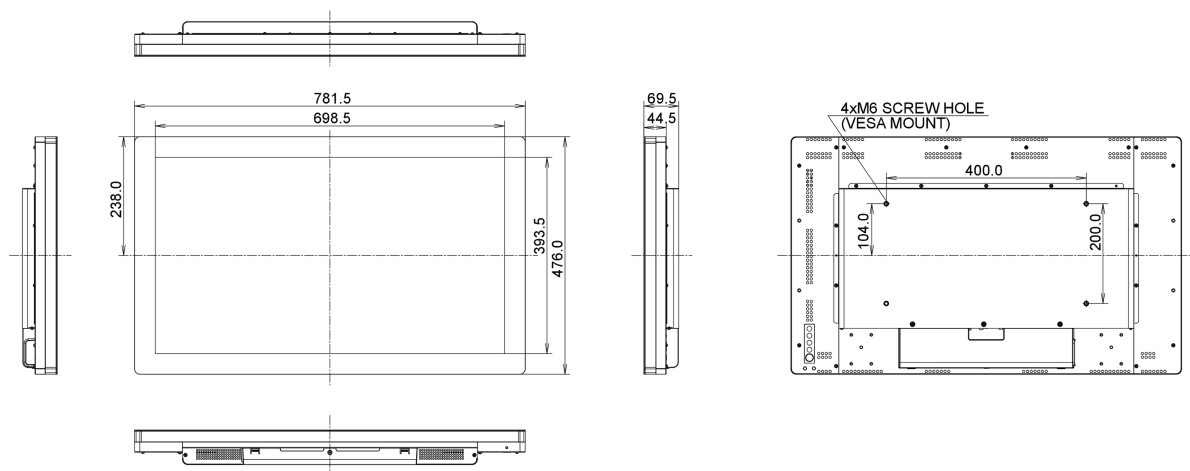
REACH SVHC above 0.1%: Lead

10 DIMENSIONS / WEIGHT

Product dimensions W x H x D 781.5 x 476 x 69,5mm

Weight (without box) 16.2kg

EAN code 4948570113200



All trademarks and registered trademarks acknowledged. E & O E. Specification subject to change without notice. All LCD's comply with ISO-9241-307:2008 in connection with pixel defects.

© IIYAMA CORPORATION. ALL RIGHTS RESERVED