

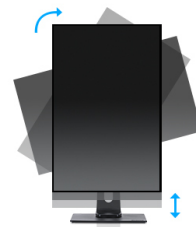


The ProLite B2280HS is a high specification 22" Full HD 1920 x 1080p LED-backlit monitor with Height Adjustability and Screen Rotation allowing you to set the perfect position of the screen ensuring ergonomic posture and optimal viewing comfort. 5msec black-to-black response time and 12 000 000 : 1 Advanced Contrast Ratio make the B2280HS ideal for Video Conferencing, DTP and CAD as well as the usual text based applications. Triple Input support of Analogue, DVI and HDMI ensures compatibility with the latest installed graphics cards and embedded Notebook outputs. Available in black and white.



LED-backlit

A typical CCFL LCD uses four backlight lamps. Using LED diodes considerably lowers the power consumption and reduces the CO<sub>2</sub> emission into the environment making this LCD a true ECO-Friendly product.



HAS + Pivot

With a height adjustable stand you will create an ergonomic work posture and position that meets all health and safety requirements. This will not only prevent any health issues but will also increase your productivity. The pivot function allows the screen to rotate from landscape to portrait orientation. This functionality can be useful if the application requires more height than width.

## 01 DISPLAY CHARACTERISTICS

Diagonal	21.5", 54.7cm
Panel	TN LED, matte finishhigh specification
Native resolution	1920 x 1080 (2.1 megapixel Full HD)
Aspect ratio	16:9
Panel brightness	250 cd/m <sup>2</sup>
Static contrast	1000:1
Advanced contrast	12M:1
Response time (GTG)	5ms
Viewing zone	horizontal/vertical: 160°/160°, right/left: 80°/80°, up/down: 80°/80°
Viewing zone CR>5	horizontal/vertical: 178°/170°, right/left: 89°/89°, up/down: 85°/85°
Colour support	16.7mIn (sRGB: 99%; NTSC: 72%)
Horizontal Sync	24 - 83kHz
Viewable area W x H	476.64 x 268.11mm, 18.8 x 10.6"
Pixel pitch	0.2482mm
Colour	matte, white

## 02 INTERFACES / CONNECTORS / CONTROLS

Signal input	VGA x1 DVI x1 HDMI x1
HDCP	yes

## 03 FEATURES

Blue light reducer	yes
OSD languages	EN, DE, FR, ES, IT, PT, CN, RU, JP
Control buttons	Power, Menu, + /Volume, - /ECO, Auto
User controls	luminance (contrast, brightness, ECO, i-style Colour, ACR), image setup (clock, phase, H. position, V. position, aspect), colour (gamma, colour temperature, sRGB), OSD setup (H. position, V. position, OSD time out, language), others (reset, signal select, audio input, OD, information), volume, auto adjust
Speakers	2 x 1W
Convenience	Kensington-lock™ prepared, DDC2B, Mac OSX

## 04 MECHANICAL

Display position adjustments	height, pivot (rotation), swivel, tilt
Height adjustment	130mm
Rotation (PIVOT function)	90°
Swivel stand	320°; 160° left; 160° right
Tilt angle	22° up; 5° down
VESA mounting	100 x 100mm

## 05 ACCESSORIES INCLUDED

Cables	power, DVI, Audio
Other	quick start guide, safety guide

## 06 POWER MANAGEMENT

Power supply unit	internal
Power supply	AC 100 - 240V, 50/60Hz
Power usage	21W typical, 0.5W stand by, 0.5W off mode

## 07 SUSTAINABILITY

**Regulations** CE, TÜV-GS, RoHS support, ErP, ENERGY STAR®, WEEE, EPEAT, REACH

### EPEAT Silver

EPEAT is a comprehensive environmental rating that helps identify greener computers and other electronic equipment. The Silver certification means the monitor meets all required criteria plus at least 50% of the optional requirements. EPEAT Silver is valid in countries where iiyama registers the product. Please visit [www.epeat.net](http://www.epeat.net) for the registration status in your country.

### REACH SVHC

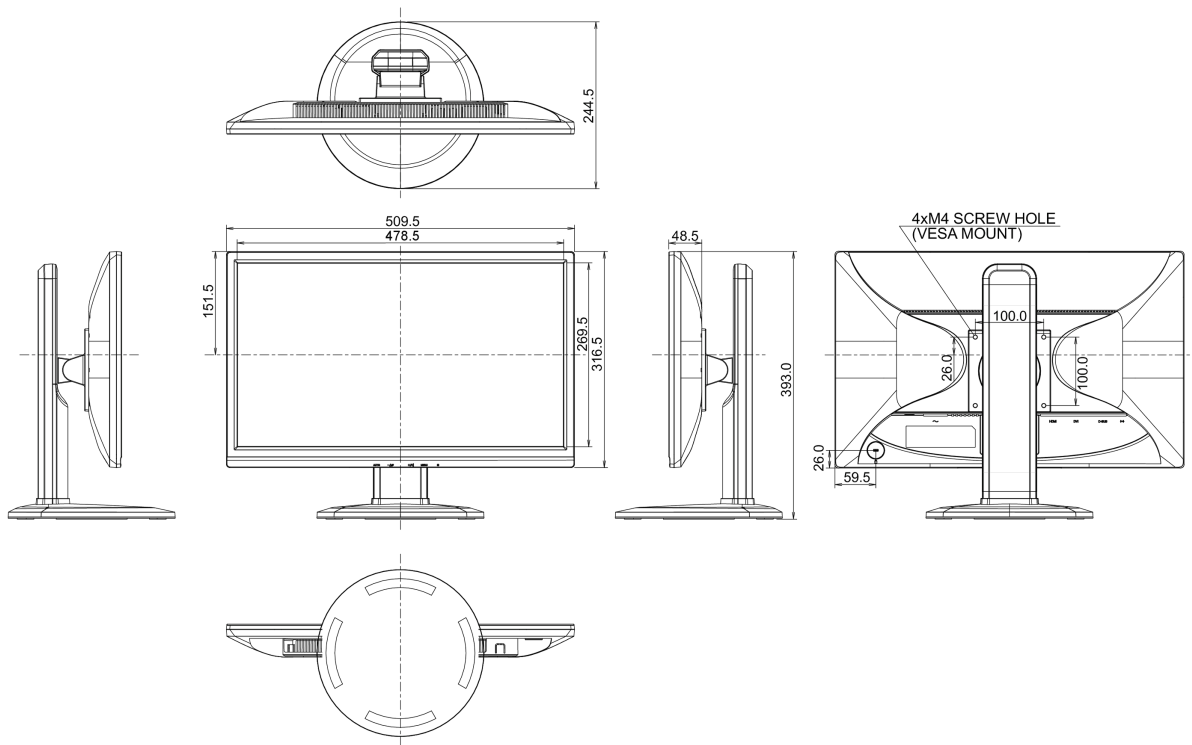
above 0.1%: Lead

## 08 DIMENSIONS / WEIGHT

**Product dimensions W x H x D** 509.5 x 393 (523) x 244.5mm

**Weight (without box)** 5.2kg

**EAN code** 4948570111718



All trademarks and registered trademarks acknowledged. E & O E. Specification subject to change without notice. All LCD's comply with ISO-9241-307:2008 in connection with pixel defects.