



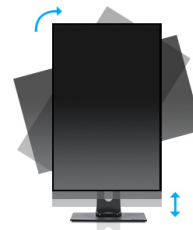
Perfect choice for office

The 17" ProLite B1780SD designed for business usage is a LED-backlit monitor with Height Adjustability and Screen Rotation allowing you to set the perfect position of the screen ensuring ergonomic posture and optimal viewing comfort. The 5ms response time and high contrast make the B1780SD ideal for a wide range of business applications. sRGB and gamma correction functions permit even the finest nuances of colour to be set accurately. The ProLite B1780SD includes DVI and VGA connectivity and is available in black and white.



LED-backlit

A typical CCFL LCD uses four backlight lamps. Using LED diodes considerably lowers the power consumption and reduces the CO₂ emission into the environment making this LCD a true ECO-Friendly product.



HAS + Pivot

With a height adjustable stand you will create an ergonomic work posture and position that meets all health and safety requirements. This will not only prevent any health issues but will also increase your productivity. The pivot function allows the screen to rotate from landscape to portrait orientation. This functionality can be useful if the application requires more height than width.

01 DISPLAY CHARACTERISTICS

Diagonal	17", 43cm
Panel	TN LED, matte finish
Native resolution	1280 x 1024 (1.3 megapixel)
Aspect ratio	5:4
Panel brightness	250 cd/m ²
Static contrast	1000:1
Advanced contrast	12M:1
Response time (GTG)	5ms
Viewing zone	horizontal/vertical: 170°/160°, right/left: 85°/85°, up/down: 80°/80°
Colour support	16.7mIn (sRGB: 99%; NTSC: 72%)
Horizontal Sync	24 - 80kHz
Viewable area W x H	337.9 x 270.3mm, 13.3 x 10.6"
Pixel pitch	0.264mm
Colour	matte, white

02 INTERFACES / CONNECTORS / CONTROLS

Signal input	VGA x1 DVI x1
HDCP	yes

03 FEATURES

OSD languages	EN, DE, FR, ES, IT, PT, CN, RU, JP
Control buttons	Power, Select/ Input, Scroll up/ Audio, Scroll down/ i-Style Colour, Menu
Speakers	2 x 1W
Convenience	Kensington-lock™ prepared, DDC2B, Mac OSX

04 MECHANICAL

Display position adjustments	height, pivot (rotation), swivel, tilt
Height adjustment	130mm
Rotation (PIVOT function)	90°
Swivel stand	90°; 45° left; 45° right
Tilt angle	22° up; 3° down
VESA mounting	100 x 100mm

05 ACCESSORIES INCLUDED

Cables	power, DVI, Audio
Other	quick start guide, safety guide

06 POWER MANAGEMENT

Power supply unit	internal
Power supply	AC 100 - 240V, 50/60Hz
Power usage	14W typical, 0.5W stand by, 0.5W off mode

07 SUSTAINABILITY

Regulations

CE, TÜV-Bauart, RoHS support, ErP, WEEE, REACH

Energy efficiency class (Regulation (EU) 2017/1369)

E

REACH SVHC

above 0.1%: Lead

08 DIMENSIONS / WEIGHT

Product dimensions W x H x D

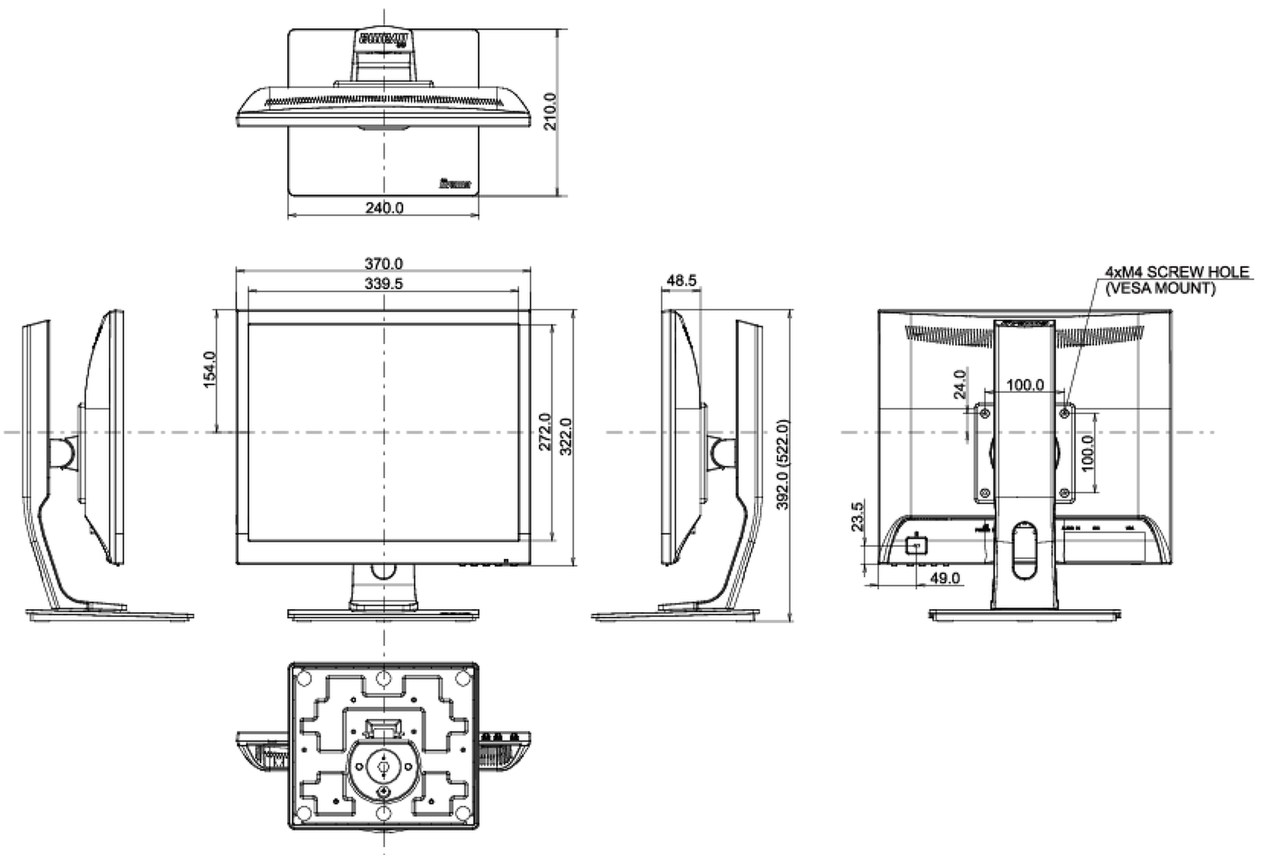
370 x 392 (522) x 210mm

Weight (without box)

4.4kg

EAN code

4948570113019



All trademarks and registered trademarks acknowledged. E & O E. Specification subject to change without notice. All LCD's comply with ISO-9241-307:2008 in connection with pixel defects.

© IIYAMA CORPORATION. ALL RIGHTS RESERVED