

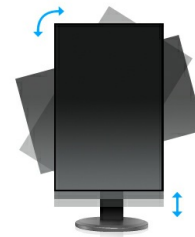
High-end 24" AMVA+ monitor featuring height adjustable stand

ProLite XB2483HSU - a 24" LED backlit LCD Screen featuring AMVA+ panel technology, guarantees accurate and consistent colour reproduction with wide viewing angles. Offering 24 bit 'True Colour' and great performance for displaying Black and White with the 3000:1 Native Contrast Ratio, means that the ProLite XB2483HSU will provide excellent performance for Photographic, Design and Web-design. The monitor features a height adjustable stand with PIVOT function making it also an excellent choice for Universities, Corporate and Financial Markets.



AMVA+

AMVA+ Panel technology offers 24 bit 'True Colour' performance and amazing viewing angles.



HAS + Pivot

With a height adjustable stand you will create an ergonomic work posture and position that meets all health and safety requirements. This will not only prevent any health issues but will also increase your productivity. The pivot function allows the screen to rotate from landscape to portrait orientation. This functionality can be useful if the application requires more height than width.

01 DISPLAY CHARACTERISTICS

Diagonal	24", 61cm
Panel	AMVA+ LED
Native resolution	1920 x 1080 (Full HD 1080p, 2.1 megapixel)
Aspect ratio	16:9
Panel brightness	250 cd/m ²
Static contrast	3 000:1
Advanced contrast	12M:1
Response time (GTG)	4ms
Viewing zone	horizontal/vertical: 178°/178°, right/left: 89°/89°, up/down: 89°/89°
Colour support	16.7mln
Horizontal Sync	30 - 80kHz
Viewable area W x H	531.4 x 298.9mm, 20.5 x 11.5"
Pixel pitch	0.277mm

02 INTERFACES / CONNECTORS / CONTROLS

Signal input	VGA x1 DVI x1 HDMI x1
USB HUB	x0

03 FEATURES

OSD languages	EN, DE, FR, ES, IT, PT, CN, RU, JP, CZ, NL, PL
Control buttons	Power, Menu/ Select, Scroll up/ Volume, Scroll down/ ECO, Exit, Auto
User controls	auto adjust, luminance (brightness, contrast), geometry (H. position, V. position, clock, phase), colour, OSD (H. position, V. position, timeout), language, recall, miscellaneous (sharpness, DDC/CI, display information, ACR, display mode, OD, opening logo), input select, audio adjust (volume, mute, HDMI audio)
Speakers	2 x 2W

04 MECHANICAL

Tilt angle	22° up; 5° down
VESA mounting	100 x 100mm

05 ACCESSORIES INCLUDED

Cables	power, USB
Other	quick start guide, safety guide

06 POWER MANAGEMENT

Power usage	25W typical, 0.5W stand by, 0.5W off mode
-------------	---

07 SUSTAINABILITY

Regulations	TCO Certified, CE, TÜV-GS, VCCI-B, PSE, RoHS support, ErP, WEEE, CU, REACH
REACH SVHC	above 0.1%: Lead

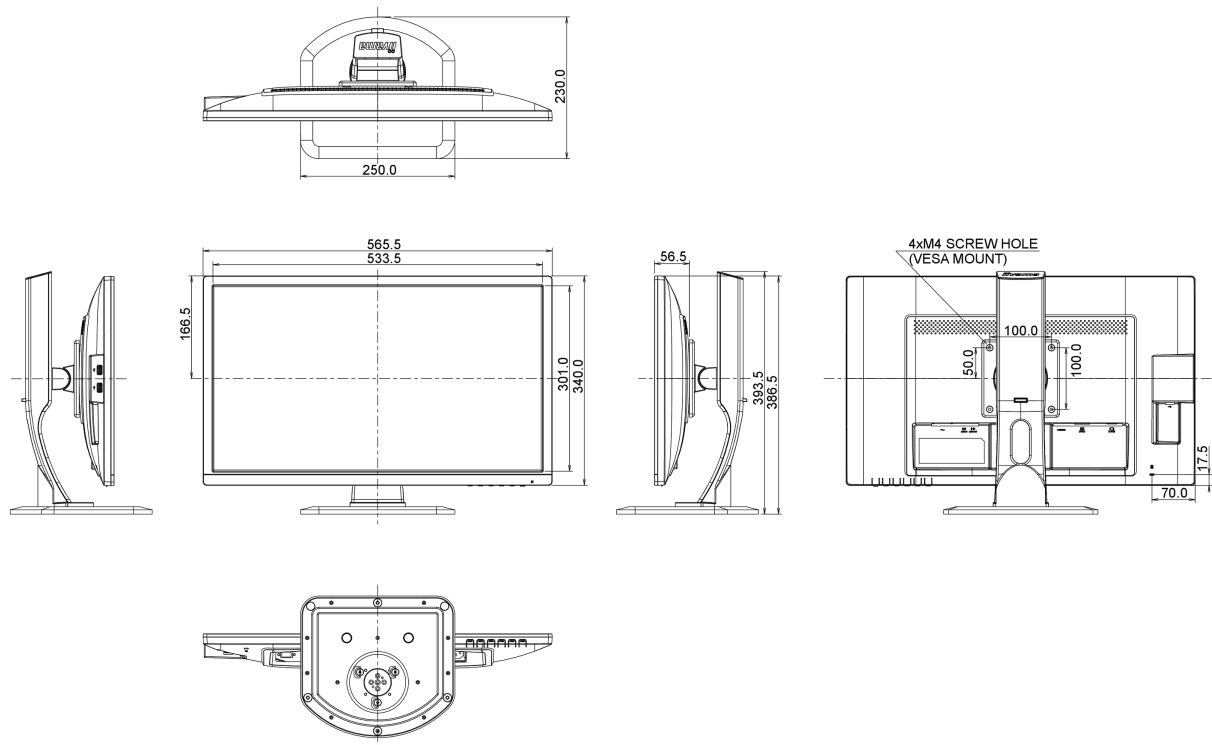
08 DIMENSIONS / WEIGHT

Product dimensions W x H x D

565.5 x 386.5 (516.5) x 230mm

Weight (without box)

5kg



All trademarks and registered trademarks acknowledged. E & O E. Specification subject to change without notice. All LCD's comply with ISO-9241-307:2008 in connection with pixel defects.

© IIYAMA CORPORATION. ALL RIGHTS RESERVED