



A reliable solution for both home and office use

The ProLite E2083HSD is a 19,5" LED-backlit monitor with 1600x900 resolution. It features 5msec response time and >5M: 1 Advanced Contrast Ratio assuring vibrant images and blur free Video. Analogue VGA and Digital DVI inputs ensure compatibility with the latest systems and associated graphics cards. The monitor is Energy Star qualified and VESA mount compatible.



Flicker-free + Blue light

The ultimate solution for the comfort and health of your eyes. Flicker-free monitors with the blue light reducer function substantially reduce the strain and fatigue caused by flickering and blue light emittance of regular monitors.



Speakers and headphones

Playing with friends? Use the integrated high-quality speakers. Don't want to disturb anybody? Plug your headset into the headphone socket and turn the volume up.

01 DISPLAY CHARACTERISTICS

| | |
|---------------------|---|
| Diagonal | 19.5", 49.4cm |
| Panel | TN LED, matte finish |
| Native resolution | 1600 x 900 (1.4 megapixel) |
| Aspect ratio | 16:9 |
| Brightness | 250 cd/m ² typical |
| Static contrast | 1000:1 typical |
| Advanced contrast | 12M:1 |
| Response time | 5ms |
| Viewing zone | horizontal/vertical: 170°/160°, right/left: 85°/85°, up/down: 80°/80° |
| Colour support | 16.7mIn 8bit (6bit + Hi-FRC) (sRGB: 99%; NTSC: 72%) |
| Horizontal Sync | 30 - 80KHz |
| Vertical Sync | 55 - 75Hz |
| Viewable area W x H | 433.9 x 236.3mm, 17.1 x 9.3" |
| Pixel pitch | 0.27mm |
| Colour | matte, black |

02 INTERFACES / CONNECTORS / CONTROLS

| | |
|---------------------|------------------|
| Signal input | VGA x1 DVI x1 |
| HDCP | yes |
| Headphone connector | yes |

03 FEATURES

| | |
|--------------------|---|
| Blue light reducer | yes |
| Flicker free | yes |
| OSD languages | EN, DE, FR, ES, IT, CN, RU, JP, NL, PL |
| Control buttons | Power, Menu/ Select, Scroll up/Volume, Scroll down/ECO, Exit, Auto |
| User controls | auto adjust, luminance (brightness, contrast), geometry (H. position, V. position, clock, phase), colour, OSD (H. position, V. position, timeout), language, recall, miscellaneous (sharpness, DDC/CI, display information, ACR, display mode, opening logo), input select, audio adjust (volume, mute) |
| Speakers | 2 x 1W |
| Convenience | Kensington-lock™ prepared, DDC2B, Mac OSX |

04 MECHANICAL

| | |
|------------------------------|-----------------|
| Display position adjustments | tilt |
| Tilt angle | 22° up; 5° down |
| VESA mounting | 100 x 100mm |

05 ACCESSORIES INCLUDED

| | |
|--------|---------------------------------|
| Cables | power, DVI, Audio |
| Other | quick start guide, safety guide |

06 POWER MANAGEMENT

| | |
|-------------------|---|
| Power supply unit | internal |
| Power supply | AC 100 - 240V, 50/60Hz |
| Power usage | 15W typical, 0.5W stand by, 0.5W off mode |

07 SUSTAINABILITY

Regulations TCO, CE, TÜV-GS, GOST, VCCI-B, Energy Star

EPEAT Silver

EPEAT is a comprehensive environmental rating that helps identify greener computers and other electronic equipment. The Silver certification means the monitor meets all required criteria plus at least 50% of the optional requirements. EPEAT Silver is valid in countries where iiyama registers the product. Please visit www.epeat.net for the registration status in your country.

Other

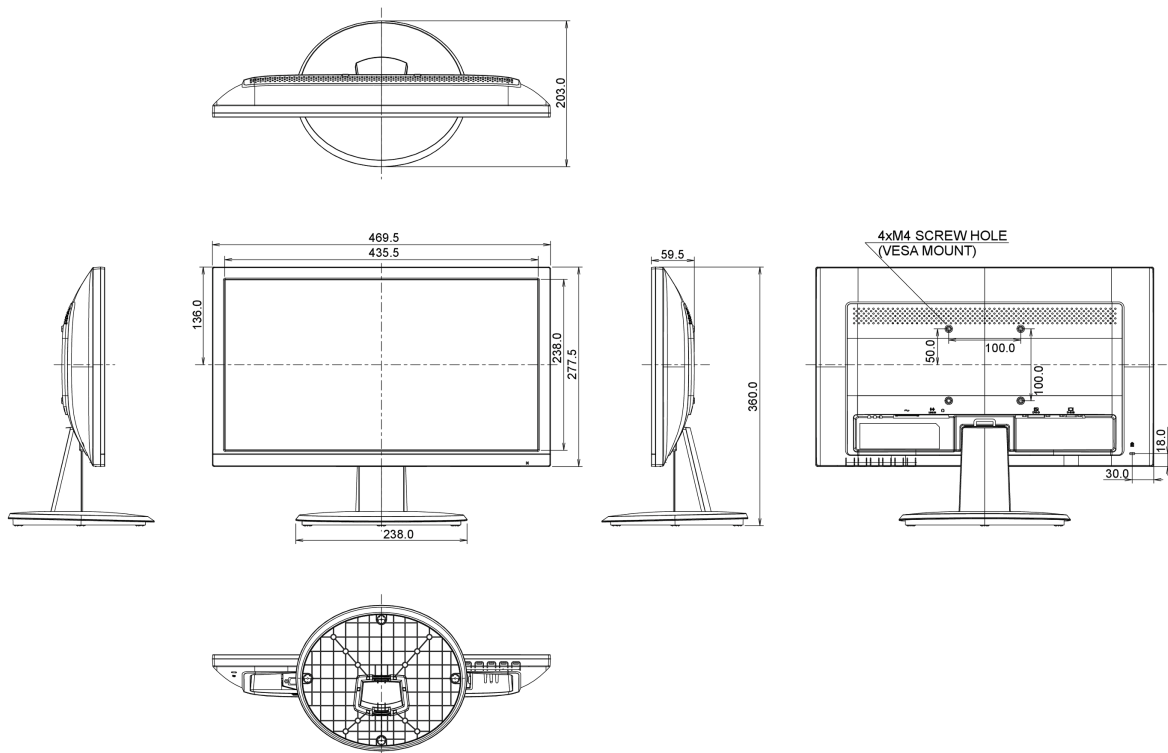
REACH SVHC above 0.1%: Lead

08 DIMENSIONS / WEIGHT

Product dimensions W x H x D 469.5 x 360 x 203mm

Weight (without box) 2.7kg

EAN code 4948570112760



09 EU ENERGY EFFICIENCY LABEL

Power in OFF Mode

0.5W off mode

All trademarks and registered trademarks acknowledged. E & O E. Specification subject to change without notice. All LCD's comply with ISO-9241-307:2008 in connection with pixel defects.

