



A reliable solution for both home and office use

The ProLite E2083HSD is a 19,5" LED-backlit monitor with 1600x900 resolution. It features 5msec response time and >5M: 1 Advanced Contrast Ratio assuring vibrant images and blur free Video. Analogue VGA and Digital DVI inputs ensure compatibility with the latest systems and associated graphics cards. The monitor is Energy Star qualified and VESA mount compatible.

Available also with height adjustable stand: [ProLite B2083HSD-B1](#)



Flicker-free + Blue light

The ultimate solution for the comfort and health of your eyes. Flicker-free monitors with the blue light reducer function substantially reduce the strain and fatigue caused by flickering and blue light emittance of regular monitors.



Speakers and headphones

Playing with friends? Use the integrated high-quality speakers. Don't want to disturb anybody? Plug your headset into the headphone socket and turn the volume up.

01 DISPLAY CHARACTERISTICS

Diagonal	19.5", 49.4cm
Panel	TN LED, matte finish
Native resolution	1600 x 900 (1.4 megapixel)
Aspect ratio	16:9
Brightness	250 cd/m ² typical
Static contrast	1000:1 typical
Advanced contrast	12M:1
Response time (GTG)	5ms
Viewing zone	horizontal/vertical: 170°/160°, right/left: 85°/85°, up/down: 80°/80°
Colour support	16.7mIn (sRGB: 99%; NTSC: 72%)
Horizontal Sync	30 - 80kHz
Vertical Sync	55 - 75Hz
Viewable area W x H	433.9 x 236.3mm, 17.1 x 9.3"
Pixel pitch	0.27mm
Colour	matte

02 INTERFACES / CONNECTORS / CONTROLS

Signal input	VGA x1 DVI x1
HDCP	yes
Headphone connector	yes

03 FEATURES

Blue light reducer	yes
Flicker free	yes
OSD languages	EN, DE, FR, ES, IT, CN, RU, JP, NL, PL
Control buttons	Power, Menu/ Select, Scroll up/Volume, Scroll down/ECO, Exit, Auto
User controls	auto adjust, luminance (brightness, contrast), geometry (H. position, V. position, clock, phase), colour, OSD (H. position, V. position, timeout), language, recall, miscellaneous (sharpness, DDC/CI, display information, ACR, display mode, opening logo), input select, audio adjust (volume, mute)
Speakers	2 x 1W
Convenience	Kensington-lock™ prepared, DDC2B, Mac OSX

04 MECHANICAL

Display position adjustments	tilt
Tilt angle	22° up; 5° down
VESA mounting	100 x 100mm

05 ACCESSORIES INCLUDED

Cables	power, DVI, Audio
Other	quick start guide, safety guide

06 POWER MANAGEMENT

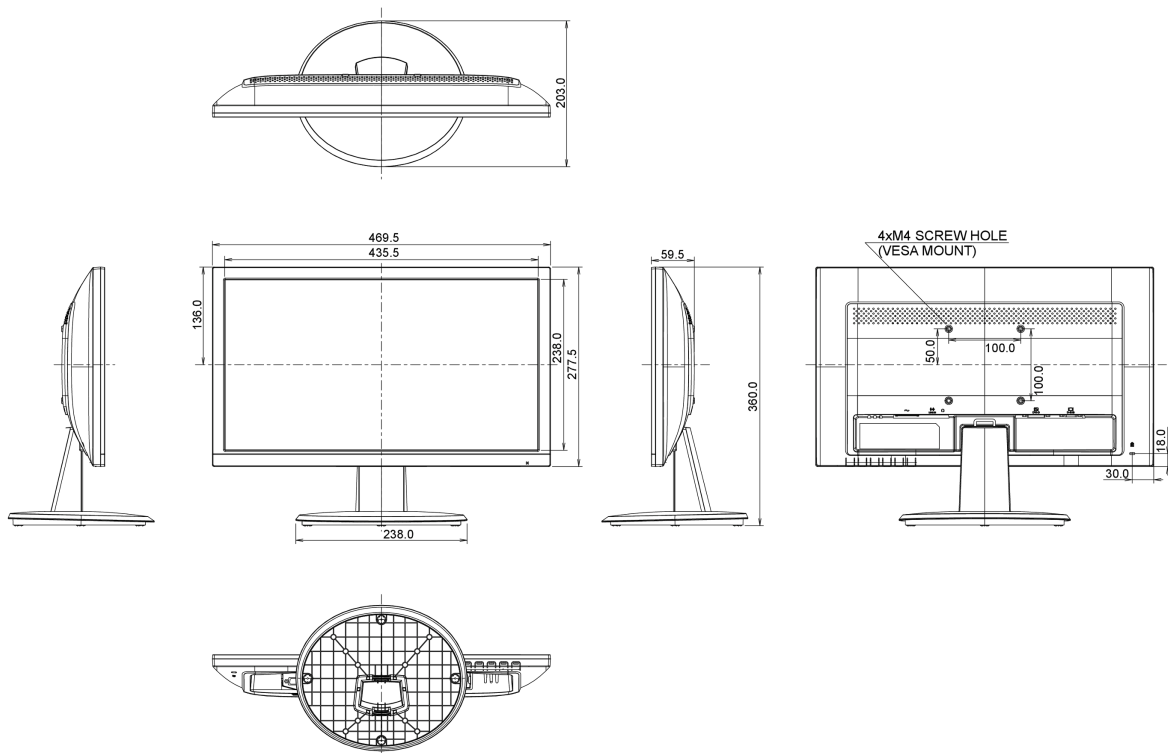
Power supply unit	internal
Power supply	AC 100 - 240V, 50/60Hz
Power usage	15W typical, 0.5W stand by, 0.5W off mode

07 SUSTAINABILITY

Regulations	TCO, CE, TÜV-GS, EAC, VCCI-B
EPEAT Silver	EPEAT is a comprehensive environmental rating that helps identify greener computers and other electronic equipment. The Silver certification means the monitor meets all required criteria plus at least 50% of the optional requirements. EPEAT Silver is valid in countries where iiyama registers the product. Please visit www.epeat.net for the registration status in your country.
Other	REACH SVHC above 0.1%: Lead

08 DIMENSIONS / WEIGHT

Product dimensions W x H x D	469.5 x 360 x 203mm
Weight (without box)	2.7kg
EAN code	4948570112760



09 EU ENERGY EFFICIENCY LABEL

Power in OFF Mode	0.5W off mode
-------------------	---------------

All trademarks and registered trademarks acknowledged. E & O E. Specification subject to change without notice. All LCD's comply with ISO-9241-307:2008 in connection with pixel defects.

