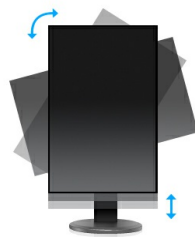




The 19" ProLite B1980SD designed for business usage is a LED-backlit monitor with Height Adjustability and Screen Rotation allowing you to set the perfect position of the screen ensuring ergonomic posture and optimal viewing comfort. The 5ms response time and high contrast make the B1980SD ideal for a wide range of business applications. sRGB and gamma correction functions permit even the finest nuances of colour to be set accurately. The ProLite B1980SD includes DVI and VGA connectivity and is available in black and white.



HAS + Pivot

With a height adjustable stand you will create an ergonomic work posture and position that meets all health and safety requirements. This will not only prevent any health issues but will also increase your productivity. The pivot function allows the screen to rotate from landscape to portrait orientation. This functionality can be useful if the application requires more height than width.



LED-backlit

A typical CCFL LCD uses four backlight lamps. Using LED diodes considerably lowers the power consumption and reduces the CO₂ emission into the environment making this LCD a true ECO-Friendly product.

01 DISPLAY CHARACTERISTICS

Diagonal	19", 48cm
Panel	TN LED, matte finish
Native resolution	1280 x 1024 (1.3 megapixel)
Aspect ratio	5:4
Brightness	250 cd/m ² typical
Static contrast	1000:1 typical
Advanced contrast	12M:1
Response time	5ms
Viewing zone	horizontal/vertical: 170°/170°, right/left: 85°/85°, up/down: 85°/85°
Colour support	16.7mIn 8bit (6bit + Hi-FRC) (sRGB: 99%; NTSC: 72%)
Horizontal Sync	24 - 80KHz
Vertical Sync	56 - 75Hz
Viewable area W x H	376.32 x 301.05mm, 14.8 x 11.9"
Pixel pitch	0.294mm
Colour	matte, black

02 INTERFACES / CONNECTORS / CONTROLS

Signal input	VGA x1 DVI x1
USB HUB	x0

03 FEATURES

OSD languages	EN, DE, FR, ES, IT, PT, CN, RU, JP, CZ, NL, PL
Control buttons	Power, Menu, +/- Volume Button, -/ ECO Button, AUTO
User controls	luminance (contrast, brightness, ECO, picture mode, ACR), image setup (clock, phase, H. position, V. position), colour adjust (gamma, colour temperature, sRGB), OSD setup (H. position, V. position, timeout, language), others (reset, signal select, information), volume, auto adjust
Speakers	2 x 1W

04 MECHANICAL

Display position adjustments	height, pivot (rotation), swivel, tilt
Height adjustment	130mm
Rotation (PIVOT function)	90°
Swivel stand	320°; 160° left; 160° right
Tilt angle	22° up; 5° down
VESA mounting	100 x 100mm

05 ACCESSORIES INCLUDED

Cables	power, DVI, Audio
Other	quick start guide, safety guide

06 POWER MANAGEMENT

Power supply unit	internal
-------------------	----------

Power supply	AC 100 - 240V, 50/60Hz
Power usage	16W typical, 0.5W stand by, 0.5W off mode

07 SUSTAINABILITY

Regulations CE, TÜV-GS, VCCI-B, Energy Star , CU

EPEAT Silver EPEAT is a comprehensive environmental rating that helps identify greener computers and other electronic equipment. The Silver certification means the monitor meets all required criteria plus at least 50% of the optional requirements. EPEAT Silver is valid in countries where iiyama registers the product. Please visit www.epeat.net for the registration status in your country.

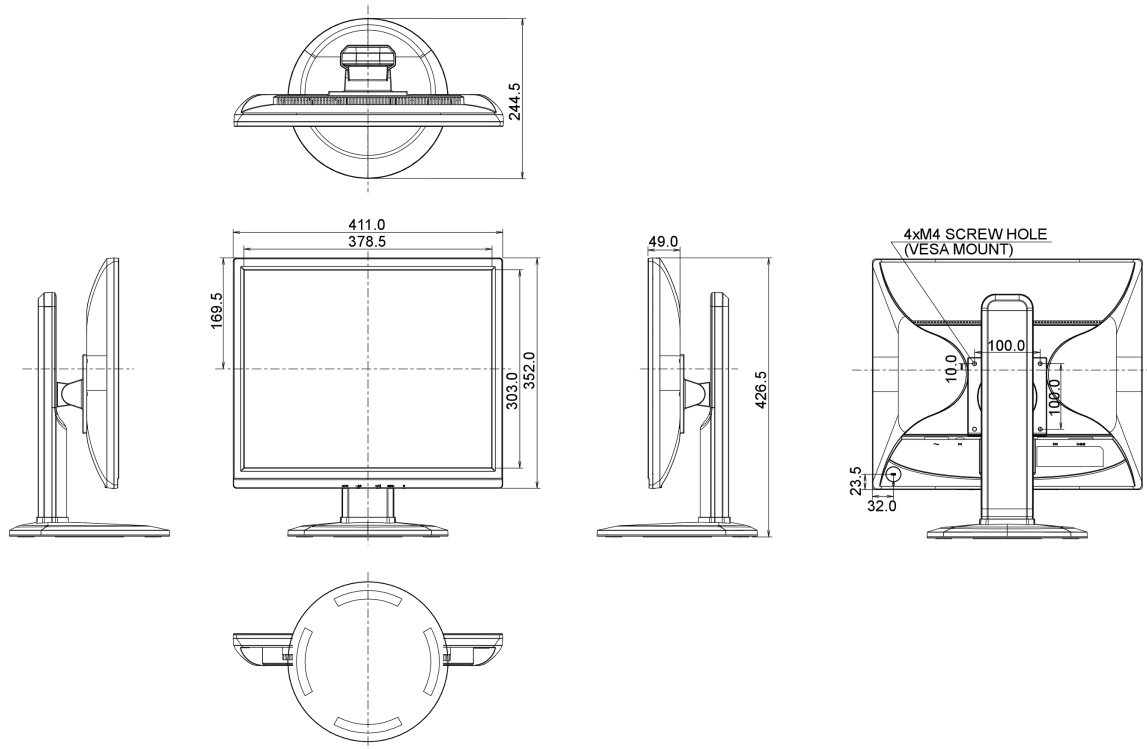
Other REACH SVHC above 0.1%: Lead

08 DIMENSIONS / WEIGHT

Product dimensions W x H x D 411 x 426.5 (556.5) x 244.5mm

Weight (without box) 5.1kg

EAN code 4948570111688



10 EU ENERGY EFFICIENCY LABEL

Power in OFF Mode 0.5W off mode

All trademarks and registered trademarks acknowledged. E & O E. Specification subject to change without notice. All LCD's comply with ISO-9241-307:2008 in connection with pixel defects.