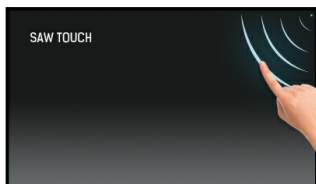




The ProLite T1931SAW uses highly accurate Surface Acoustic Wave Touch Technology (SAW) with a pure-glass scratch resistive front, offering superior image clarity and screen durability. The screen can be touched with a soft stylus, finger or gloved hand making it suitable for a number of applications, and the robust design and solid but flexible stand ensures resilience in the most demanding environment. Menu Buttons are located on the side of the screen which can be locked to prevent tampering, and include a handy function to deactivate the Touch Screen for cleaning. The Iiyama ProLite T1931SAW Touch Screen is ideal for a wide range of applications including Point of Sale, Kiosks, Hospitality and Entertainment, Control rooms, Education, Training and many others.



Touch technology - Surface Acoustic Wave

Surface acoustic wave uses ultrasonic waves that pass over the panel. When the panel is touched, a portion of the wave is absorbed and a touch event is registered. Because the screen is covered with a glass layer this technology offers great picture performance (high contrast and colour accuracy). It is also scratch-resistant technology and therefore ideal for use in Public Places or Schools. Even if the screen is scratched, the touch function remains unaffected. Surface Acoustic Touch screens are activated with finger or a soft stylus touch.



Scratch resistance

Scratch resistance is essential for touch solutions used in public places and schools. This is achieved thanks to a glass overlay covering the screen. It guarantees high durability of the touch function and even more importantly the touch function remains unaffected even if the glass is scratched.

01 DISPLAY CHARACTERISTICS

| | |
|-------------------------|---|
| Diagonal | 19", 48cm |
| Panel | TN LED |
| Native resolution | 1280 x 1024 (1.3 megapixel) |
| Aspect ratio | 5:4 |
| Panel brightness | 250 cd/m ² |
| Brightness | 230 cd/m ² with touch |
| Light transmittance | 92% |
| Static contrast | 900:1 with touch |
| Response time (GTG) | 5ms |
| Viewing zone | horizontal/vertical: 170°/160°, right/left: 85°/85°, up/down: 80°/80° |
| Colour support | 16.7mln |
| Horizontal Sync | 31.5 - 80kHz |
| Viewable area W x H | 376 x 301mm, 14.8 x 11.9" |
| Pixel pitch | 0.294mm |
| Bezel colour and finish | black, matte |

02 TOUCH

| | |
|-----------------------------|---|
| Touch technology | SAW |
| Touch points | 1 |
| Touch method | finger |
| Touch interface | USB |
| Supported operating systems | All iiyama monitors are Plug & Play and compatible with Windows and Linux. For details regarding the supported OS for the touch models, please refer to the driver instruction file available in the downloads section. |

03 INTERFACES / CONNECTORS / CONTROLS

| | |
|----------------------|-----------------|
| Analog signal input | VGA x1 |
| Digital signal input | DVI x1 |
| Audio output | Speakers 2 x 1W |

04 FEATURES

| | |
|---------------------------|--------------|
| Water and dust protection | IP54 (front) |
| OSD key lock | yes |

05 GENERAL

| | |
|-----------------|--|
| OSD languages | EN, DE, FR, ES, IT, CN, JP |
| Control buttons | Menu, Scroll up/ Brightness, Scroll down/ Mute, Select/ Auto, Power |
| User controls | contrast, brightness, auto adjust, H.position, V.position, H.size, phase, OSD H.position, OSD V.position, OSD timeout, reset, input select, OSD language, colour temperature, volume, mute |
| Convenience | Kensington-lock™ prepared |
| Plug&Play | DDC2B |

06 MECHANICAL

Tilt angle 90° up; 5° down

VESA mounting 100 x 100mm

Cable management system yes

07 ACCESSORIES INCLUDED

Cables power, VGA, DVI, USB, Audio

Guides quick start guide, safety guide

Other Touch Panel Driver Disk (CD-ROM)

Cable cover yes

08 POWER MANAGEMENT

Power supply unit internal

Power supply AC 100 - 240V, 50/60Hz

Power usage 20W typical, 3W stand by, 3W off mode

09 SUSTAINABILITY

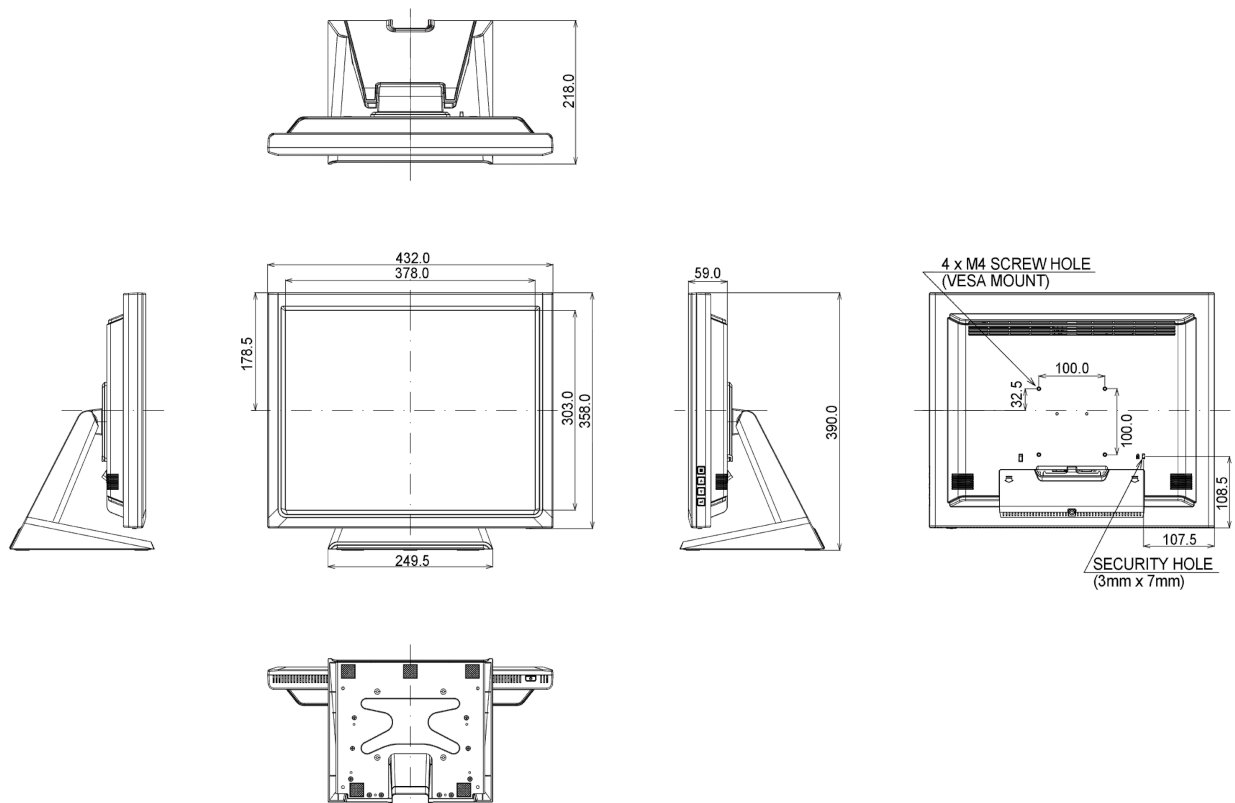
Regulations CB, CE, TÜV-Bauart, GOST, RoHS support, ErP, WEEE, VCCI, REACH

REACH SVHC above 0.1%: Lead

10 DIMENSIONS / WEIGHT

Product dimensions W x H x D 432 x 390 x 218mm

Weight (without box) 6.6kg



All trademarks and registered trademarks acknowledged. E & O E. Specification subject to change without notice. All LCD's comply with ISO-9241-307:2008 in connection with pixel defects.

© IIYAMA CORPORATION. ALL RIGHTS RESERVED