



## 21.5" PCAP 10pt Touchscreen monitor featuring IPS panel technology, Edge-to-Edge glass design and Anti Glare coating

With its Full HD (1920x1080) resolution and accurate Projective Capacitive 10 point touch technology, the ProLite T2252MSC-B2AG delivers seamless and accurate touch response. Featuring IPS LCD screen technology, it offers exceptional colour performance and wide viewing angles, making it a perfect choice for a vast array of interactive applications. The flexible stand can be positioned at several angles creating a comfortable and ergonomic user experience and the integrated cable management system hides all the cables and electrical wires giving a neat and cable-free workspace. In addition, the edge-to-edge glass and ultra slim design creates an eye-catching finish. The Anti Glare coating helps to avoid issues with reflections and external light sources affecting colour reproduction, contrast and sharpness. The ProLite T2252MSC-B2AG is the ideal solution for interactive signage, instore retail, POS and interactive presentations.

### 01 DISPLAY CHARACTERISTICS

Design	Edge to edge glass
Diagonal	21.5", 54.5cm
Panel	IPS
Native resolution	1920 x 1080 (2.1 megapixel Full HD)
Aspect ratio	16:9
Panel brightness	250 cd/m <sup>2</sup>
Brightness	215 cd/m <sup>2</sup> with touch
Light transmittance	86%
Static contrast	1000:1
Response time (GTG)	5ms
Viewing zone	horizontal/vertical: 178°/178°, right/left: 89°/89°, up/down: 89°/89°
Colour support	16.7mIn
Horizontal Sync	30 - 83kHz
Viewable area W x H	478.6 x 260mm, 18.8 x 10.2"
Pixel pitch	0.249mm
Bezel colour and finish	black, matte

## 02 TOUCH

<b>Touch technology</b>	projective capacitive
<b>Touch points</b>	10 (HID, only with supported OS)
<b>Touch method</b>	stylus, finger, glove
<b>Touch interface</b>	USB
<b>Supported operating systems</b>	All iiyama monitors are Plug & Play and compatible with Windows and Linux. For details regarding the supported OS for the touch models, please refer to the driver instruction file available in the downloads section.
<b>Palm rejection</b>	yes

## 03 INTERFACES / CONNECTORS / CONTROLS

<b>Digital signal input</b>	HDMI x1 DisplayPort x1
<b>Audio output</b>	Mini jack x1 Speakers 2 x 1W
<b>HDCP</b>	yes
<b>USB HUB</b>	x2 (USB 3.2 Gen 1 (5Gbps, 5V, 900mA))

## 04 FEATURES

<b>Extra</b>	Anti-fingerprint coating, Touch support with gloved hand (thickness +2mm)
<b>Glass hardness</b>	7H
<b>OSD key lock</b>	yes

## 05 GENERAL

<b>OSD languages</b>	EN, DE, FR, IT, CN, RU, JP, CZ, NL, PL
<b>Control buttons</b>	Joystick: right/ menu/ enter, left/ input/ exit, up/ eco, down, power
<b>User controls</b>	picture adjust (brightness, contrast, i-Style, adv. contrast, ECO, OD, X-Res), color settings (gamma, rgb range, color temp.), image settings (video mode adjust, blue light reducer, sharp & soft), OSD (horizontal position, vertical pos., time, background), extra (reset, dcc/ci, signal select, volume, mute, opening logo, led, touch switch)
<b>Convenience</b>	Kensington-lock™ prepared
<b>Blue light reducer</b>	yes
<b>Plug&amp;Play</b>	DDC2B

## 06 MECHANICAL

<b>Tilt angle</b>	90° up; 5° down
<b>VESA mounting</b>	100 x 100mm
<b>MTBF</b>	50000 hours (excluding backlight)

## 07 ACCESSORIES INCLUDED

<b>Cables</b>	power, USB, HDMI
<b>Guides</b>	quick start guide, safety guide
<b>Cable cover</b>	yes

## 08 POWER MANAGEMENT

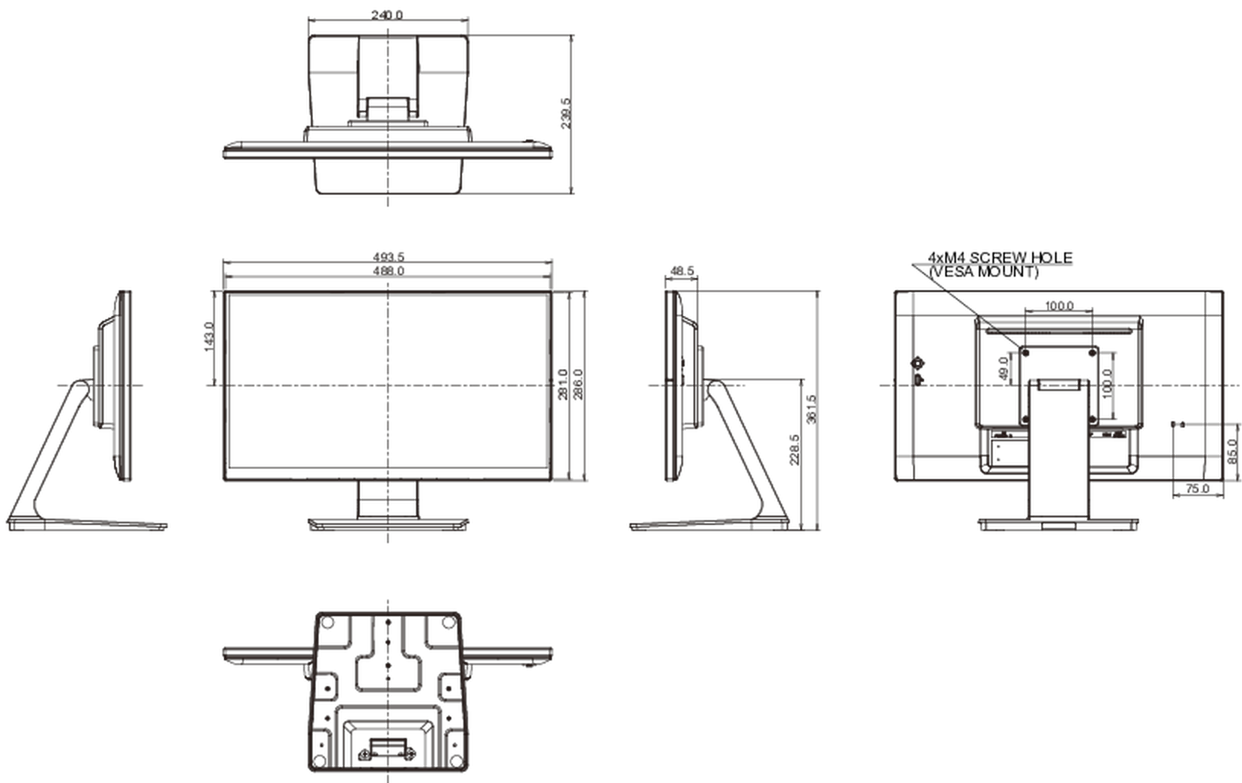
Power supply unit	internal
Power supply	AC 100 - 240V, 50/60Hz
Power usage	13W typical, 1.5W stand by, 0.3W off mode

## 09 SUSTAINABILITY

Regulations	CE, TÜV-Bauart, EAC, RoHS support, ErP, WEEE, REACH, UKCA, cTUVus
Energy efficiency class (Regulation (EU) 2017/1369)	D
REACH SVHC	above 0.1%: Lead

## 10 DIMENSIONS / WEIGHT

Product dimensions W x H x D	493.5 x 361.5 x 239.5mm
Box dimensions W x H x D	560 x 350 x 150mm
Weight (without box)	4.5kg
Weight (with box)	6kg
EAN code	4948570125180



All trademarks and registered trademarks acknowledged. E & O E. Specification subject to change without notice. All LCD's comply with ISO-9241-307:2008 in connection with pixel defects.

© IIYAMA CORPORATION. ALL RIGHTS RESERVED