



24" IPS technology panel with USB-C dock and RJ45 (LAN)

Equipped with a USB-C dock connector, the XUB2497HSN allows you to simplify your workspace by using a single cable to both send signal from your notebook to your monitor and power and charge the notebook from the monitor. Additionally, if your monitor is connected to the Internet with a LAN cable, your notebook will automatically be connected to the network as well. Thanks to a DisplayPort output you can easily extend your desktop by creating a double-monitor set-up. Supplied with a 150mm height-adjustable stand featuring pivot and swivel functions, the XUB2497HSN allows you to easily adjust the screen position to your preferences.

Available also without USB-C dock: [XUB2497HSU-B2](#)

Powered by [Froala Editor](#)

Available also in white : [ProLite XUB2497HSN-W2](#)



USB-C Dock

The dock allows you to connect your laptop with a single cable to the monitor to both make sure it is charged and connected to a wired network and signal from the laptop is sent to the monitor. A second monitor can be connected to the DisplayPort (MST) output to create a multi-monitor set-up. With additional USB-ports, your mouse, keyboard or webcam can also be connected to the monitor. All thanks to a single cable connecting your laptop* to the USB C dock in the monitor.

*Functions vary depending on your laptop USB-C support.



IPS Technology

IPS technology offers higher contrast, darker blacks and much better viewing angles than standard TN technology. The screen will look good no matter what angle you look at it.

01 DISPLAY CHARACTERISTICS

Design	3-side borderless
Diagonal	23.8", 60.5cm
Panel	IPS Panel Technology LED, matte finish
Native resolution	1920 x 1080 @100Hz (2.1 megapixel Full HD)
Aspect ratio	16:9
Panel brightness	300 cd/m ²
Static contrast	1300:1
Advanced contrast	80M:1
Response time (MPRT)	1ms
Viewing zone	horizontal/vertical: 178°/ 178°, right/left: 89°/89°, up/down: 89°/89°
Colour support	16.7mIn (sRGB: 99%; NTSC: 72%)
Horizontal Sync	30 - 110kHz
Viewable area W x H	527 x 296.5mm, 20.7 x 11.7"
Pixel pitch	0.275mm
Colour	matte, black

02 INTERFACES / CONNECTORS / CONTROLS

Signal input	HDMI x1 (v.1.4) DisplayPort x1 (v.1.2) USB-C x1 (PD 65W)
Signal output	DisplayPort x1 (Daisy Chain MST max. 1920 x 1080)
USB HUB	x4 ((3x v.3.2 Gen 1 (5Gbps, 4.5W) 1x Type C (5Gbps, 7.5W))
USB-C DOCK	x1 (Power delivery 65W, LAN, DP out, USB v.3.2 (Gen 1, 5Gbit))
HDCP	yes
Headphone connector	yes
RJ45 (LAN)	x1

03 FEATURES

Blue light reducer	yes
Flicker free	yes
Adaptive Sync support	yes
Extra	i-Style colour
OSD languages	EN, DE, FR, ES, IT, RU, JP, CZ, NL, PL
Control buttons	Power, Menu, Adjustment/ Volume, Adjustment/ Shortcut, Input/ Exit
User controls	picture adjust (brightness, contrast, Eco, ACR, OD, MBR, Adaptive Sync), colour settings (i-Style colour, blue light reducer, colour temp., user preset), OSD (OSD H. position, OSD V. position, OSD rotate, OSD time), language, recall, miscellaneous 1 (sharp and soft, video mode adjust, opening logo, RGB range), miscellaneous 2 (USB BC, MST, USB, LED, display information, MAC address), input select, audio settings (volume, mute)
Speakers	2 x 2W
Convenience	Kensington-lock™ prepared, DDC/CI, DDC2B, Mac OSX

04 MECHANICAL

Display position adjustments	height, swivel, tilt, pivot (rotation both sides)
Height adjustment	150mm

Rotation (PIVOT function)	90°
Swivel stand	120°; 60° left; 60° right
Tilt angle	23° up; 5° down
VESA mounting	100 x 100mm
Cable management system	yes

05 ACCESSORIES INCLUDED

Cables	power, HDMI, USB-C
Other	quick start guide, safety guide

06 POWER MANAGEMENT

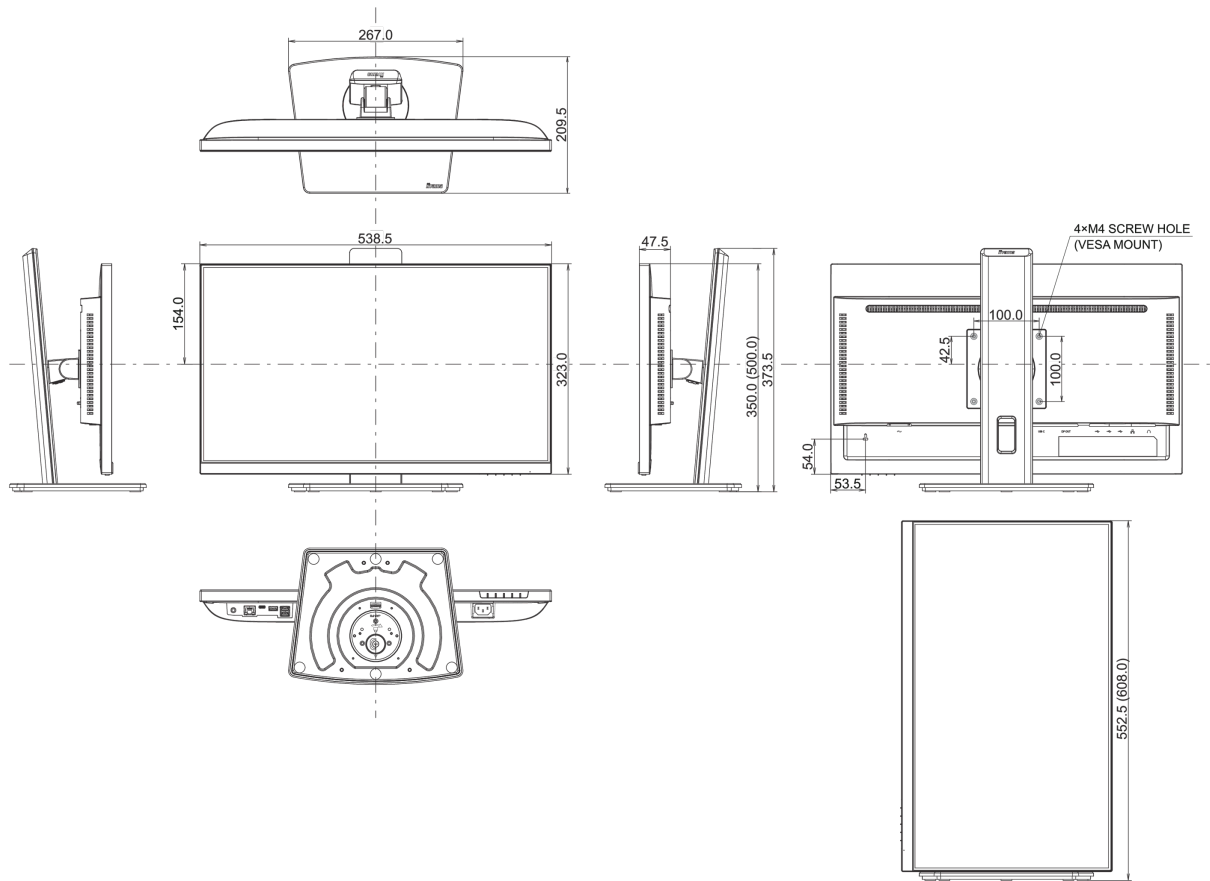
Power supply unit	internal
Power supply	AC 100 - 240V, 50/60Hz
Power usage	20W typical, 0.5W stand by, 03W off mode

07 SUSTAINABILITY

Regulations	TCO Certified, CE, TÜV-GS, EAC, VCCI-B, PSE, RoHS support, ErP, WEEE, REACH, UKCA
Energy efficiency class (Regulation (EU) 2017/1369)	E
EPEAT Silver	*registration varies by country, go to www.epeat.net for details
REACH SVHC	above 0.1%: Lead
Warranty	5 years (for details and eligible countries please check the Warranty section of our website)

08 DIMENSIONS / WEIGHT

Product dimensions W x H x D	538.5 x 350 (500) x 209.5mm
Box dimensions W x H x D	685 x 405 x 126mm
Weight (without box)	5.3kg
Weight (with box)	7.4kg
EAN code	4978570124930



© IIYAMA CORPORATION. ALL RIGHTS RESERVED