



**24" IPS technology panel with USB-C dock and RJ45 (LAN)**

Equipped with a USB-C dock connector, the XUB2497HSN allows you to simplify your workspace by using a single cable to both send signal from your notebook to your monitor and power and charge the notebook from the monitor. Additionally, if your monitor is connected to the Internet with a LAN cable, your notebook will automatically be connected to the network as well. Thanks to a DisplayPort output you can easily extend your desktop by creating a double-monitor set-up. Supplied with a 150mm height-adjustable stand featuring pivot and swivel functions, the XUB2497HSN allows you to easily adjust the screen position to your preferences.

Available also without USB-C dock: [XUB2497HSU-B2](#)

Available also in white : [ProLite XUB2497HSN-W2](#)



**USB-C Dock**

The dock allows you to connect your laptop with a single cable to the monitor to both make sure it is charged and connected to a wired network and signal from the laptop is sent to the monitor. A second monitor can be connected to the DisplayPort (MST) output to create a multi-monitor set-up. With additional USB-ports, your mouse, keyboard or webcam can also be connected to the monitor. All thanks to a single cable connecting your laptop\* to the USB C dock in the monitor.

\*Functions vary depending on your laptop USB-C support.



**IPS Technology**

IPS technology offers higher contrast, darker blacks and much better viewing angles than standard TN technology. The screen will look good no matter what angle you look at it.

## 01 DISPLAY CHARACTERISTICS

|                             |  |
|-----------------------------|--|
| <b>Design</b>               | 3-side borderless  |
| <b>Diagonal</b>             | 23.8", 60.5cm  |
| <b>Panel</b>                | IPS Panel Technology LED, matte finish                                 |
| <b>Native resolution</b>    | 1920 x 1080 @100Hz (2.1 megapixel Full HD)                             |
| <b>Aspect ratio</b>         | 16:9   |
| <b>Panel brightness</b>     | 300 cd/m <sup>2</sup>  |
| <b>Static contrast</b>      | 1300:1   |
| <b>Advanced contrast</b>    | 80M:1  |
| <b>Response time (MPRT)</b> | 1ms  |
| <b>Viewing zone</b>         | horizontal/vertical: 178°/ 178°, right/left: 89°/89°, up/down: 89°/89° |
| <b>Colour support</b>       | 16.7mIn (sRGB: 99%; NTSC: 72%)   |
| <b>Horizontal Sync</b>      | 30 - 110kHz  |
| <b>Viewable area W x H</b>  | 527 x 296.5mm, 20.7 x 11.7"  |
| <b>Pixel pitch</b>          | 0.275mm  |
| <b>Colour</b>               | matte, black   |

## 02 INTERFACES / CONNECTORS / CONTROLS

|                            |  |
|----------------------------|--|
| <b>Signal input</b>        | HDMI x1 (v.1.4)<br>DisplayPort x1 (v.1.2)<br>USB-C x1 (PD 65W) |
| <b>Signal output</b>       | DisplayPort x1 (Daisy Chain MST max. 1920 x 1080)              |
| <b>USB HUB</b>             | x4 ((3x v.3.2 Gen 1 (5Gbps, 4.5W) 1x Type C (5Gbps, 7.5W))     |
| <b>USB-C DOCK</b>          | x1 (Power delivery 65W, LAN, DP out, USB v.3.2 (Gen 1, 5Gbit)) |
| <b>HDCP</b>                | yes  |
| <b>Headphone connector</b> | yes  |
| <b>RJ45 (LAN)</b>          | x1   |

## 03 FEATURES

|                              |  |
|------------------------------|--|
| <b>Blue light reducer</b>    | yes  |
| <b>Flicker free</b>          | yes  |
| <b>Adaptive Sync support</b> | yes  |
| <b>Extra</b>                 | i-Style colour   |
| <b>OSD languages</b>         | EN, DE, FR, ES, IT, RU, JP, CZ, NL, PL   |
| <b>Control buttons</b>       | Power, Menu, Adjustment/ Volume, Adjustment/ Shortcut, Input/ Exit   |
| <b>User controls</b>         | picture adjust (brightness, contrast, Eco, ACR, OD, MBR, Adaptive Sync), colour settings (i-Style colour, blue light reducer, colour temp., user preset), OSD (OSD H. position, OSD V. position, OSD rotate, OSD time), language, recall, miscellaneous 1 (sharp and soft, video mode adjust, opening logo, RGB range), miscellaneous 2 (USB BC, MST, USB, LED, display information, MAC address), input select, audio settings (volume, mute) |
| <b>Speakers</b>              | 2 x 2W   |
| <b>Convenience</b>           | Kensington-lock™ prepared, DDC/CI, DDC2B, Mac OSX  |

## 04 MECHANICAL

|                                     |   |
|-------------------------------------|---|
| <b>Display position adjustments</b> | height, swivel, tilt, pivot (rotation both sides) |
| <b>Height adjustment</b>            | 150mm   |

|                           |                           |
|---------------------------|---------------------------|
| Rotation (PIVOT function) | 90°                       |
| Swivel stand              | 90°; 45 ° left; 45° right |
| Tilt angle                | 23° up; 5° down           |
| VESA mounting             | 100 x 100mm               |
| Cable management system   | yes                       |

## 05 ACCESSORIES INCLUDED

|        |                                 |
|--------|---------------------------------|
| Cables | power, HDMI, USB-C              |
| Other  | quick start guide, safety guide |

## 06 POWER MANAGEMENT

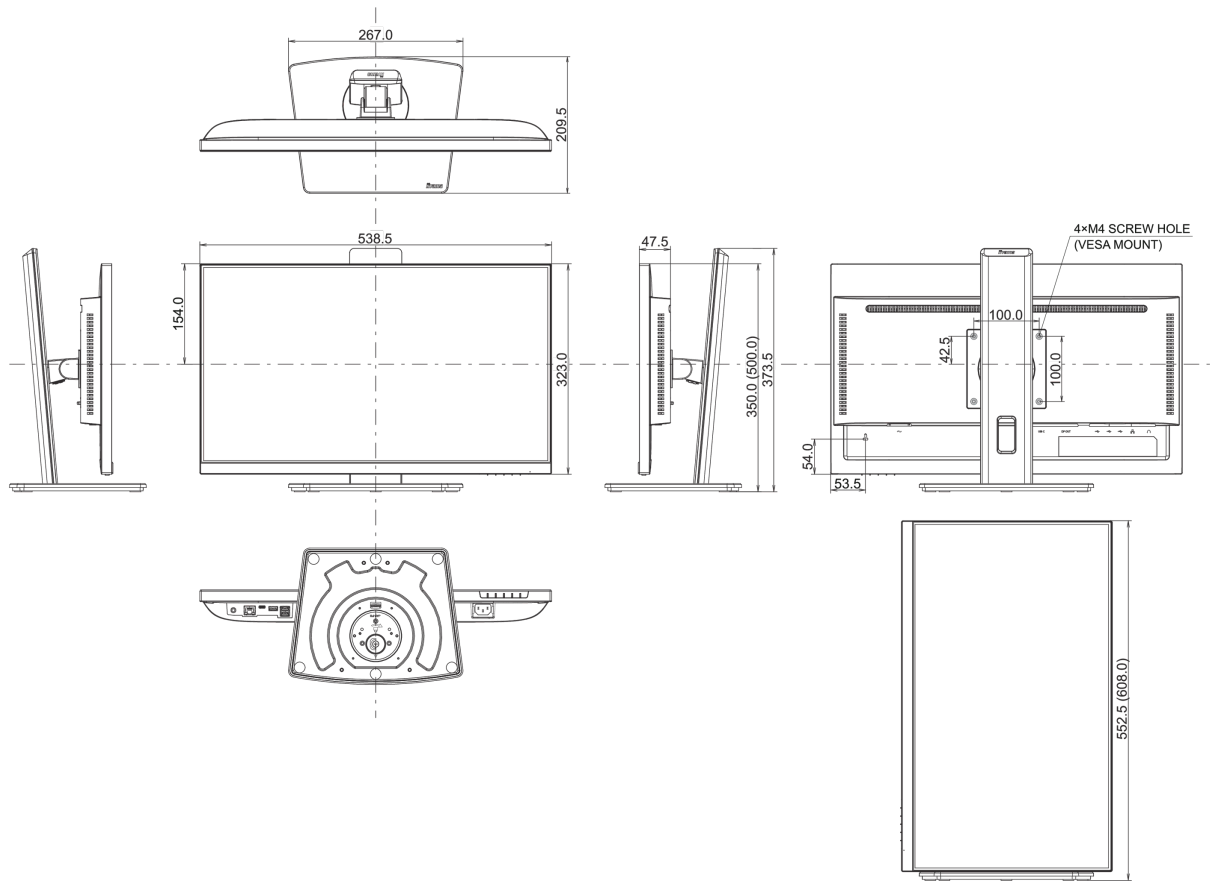
|                   |  |
|-------------------|--|
| Power supply unit | internal                                 |
| Power supply      | AC 100 - 240V, 50/60Hz                   |
| Power usage       | 20W typical, 0.5W stand by, 03W off mode |

## 07 SUSTAINABILITY

|   |   |
|---|---|
| Regulations   | TCO Certified, CE, TÜV-GS, EAC, VCCI-B, PSE, RoHS support, ErP, WEEE, REACH, UKCA                   |
| Energy efficiency class (Regulation (EU) 2017/1369) | E   |
| EPEAT Silver  | *registration varies by country, go to <a href="http://www.epeat.net">www.epeat.net</a> for details |
| REACH SVHC  | above 0.1%: Lead  |

## 08 DIMENSIONS / WEIGHT

|                              |                             |
|------------------------------|-----------------------------|
| Product dimensions W x H x D | 538.5 x 350 (500) x 209.5mm |
| Box dimensions W x H x D     | 685 x 405 x 126mm           |
| Weight (without box)         | 5.3kg                       |
| Weight (with box)            | 7.4kg                       |
| EAN code                     | 4978570124930               |



All trademarks and registered trademarks acknowledged. E & O E. Specification subject to change without notice. All LCD's comply with ISO-9241-307:2008 in connection with pixel defects.

© IYAMA CORPORATION. ALL RIGHTS RESERVED