



### 15.6" Full HD PCAP 10pt touch screen with Android and POE Technology

The ProLite TW1623AS-B1P touch panel PC is a perfect choice for high-use environments such as retail, interactive POS, information desks or hospitality applications. Thanks to the pre-installed Android operating system, it is possible to easily customize the monitor by installing applications directly to it.

The Power over Ethernet technology (POE) allows to provide both data connection and power by a single cable, simplifying all installations. This monitor can operate in landscape, portrait and face-up orientation in 24/7 operating time. Together with the built-in microphone and speakers it offers interactive and almost limitless application possibilities.



#### Connectivity

The RJ45 (LAN) connector supporting Power over Ethernet technology (POE\*) allows to provide both data connection and power by a single cable, simplifying all installations. Together with the built-in microphone and speakers it offers interactive and almost limitless application possibilities. \*Requires 30W



#### Android OS

Thanks to Android OS, you can easily customize the display to your needs by installing applications directly to it.

## 01 DISPLAY CHARACTERISTICS

|                         |   |
|-------------------------|---|
| Design                  | Edge to edge glass  |
| Diagonal                | 15.6", 39.5cm   |
| Panel                   | IPS   |
| Native resolution       | 1920 x 1080 (2 megapixel HD)  |
| Aspect ratio            | 16:9  |
| Panel brightness        | 450 cd/m <sup>2</sup>   |
| Brightness              | 385 cd/m <sup>2</sup> with touch                                      |
| Light transmittance     | 86%   |
| Static contrast         | 1000:1 with touch   |
| Response time (GTG)     | 30ms  |
| Viewing zone            | horizontal/vertical: 170°/170°, right/left: 85°/85°, up/down: 85°/85° |
| Colour support          | 16.7mln 8bit  |
| Viewable area W x H     | 344.2 x 193.6mm, 13.5 x 7.6"  |
| Pixel pitch             | 0.17925mm   |
| Bezel colour and finish | black, matte  |

## 02 TOUCH

|                  |  |
|------------------|--|
| Touch technology | projective capacitive                    |
| Touch points     | 10 (HID, only with supported OS)         |
| Touch method     | finger, glove (latex), capacitive stylus |
| Touch interface  | USB                                      |

## 03 INTERFACES / CONNECTORS / CONTROLS

|                       |   |
|-----------------------|---|
| Monitor control input | RJ45 (LAN) x1 (PoE - IEEE802.3 at/Max. 30W) |
| Digital signal output | HDMI x1 (mini HDMI, 1920x1080 @60Hz)        |
| Audio output          | Mini jack x1<br>Speakers 2 x 2W             |
| USB ports             | x3 (2.0 (DC5V, 500mA))                      |
| Microphone            | x1  |

## 04 FEATURES

|                              |   |
|------------------------------|---|
| Integrated software          | Android 13  |
| CPU                          | Rockchip RK3568, up to 2GHz                                       |
| GPU                          | Quad-core Cortex A55  |
| Storage                      | 32GB eMMC   |
| Memory                       | 4GB DDR4  |
| WiFi                         | IEEE802.11 a/b/g/n/ac   |
| Bluetooth                    | 5.2   |
| Extra                        | auto-rotation, microphone, SD card slot, anti-fingerprint coating |
| Max. non-stop operating time | 24/7  |
| Anti image retention         | yes   |
| Glass thickness              | 1.8mm   |
| Glass hardness               | 6H  |

OSD key lock yes

## 05 GENERAL

Control buttons Volume +, volume -, power

Applications Lock application, manage restart time, manage power on/off time, calculator, calendar, Chrome, alarm / clock / timer, / stopwatch, manage files & folders, organize albums, Gmail, play audio files, Play store, search engine, system preferences, sound recorder, play video files

## 06 MECHANICAL

Orientation landscape, portrait, face-up

VESA mounting 100 x 100mm

## 07 ACCESSORIES INCLUDED

Guides quick start guide, safety guide

Other AC adapter

Cable cover yes

## 08 POWER MANAGEMENT

Power supply unit external

Power supply DC 12 V

Power usage 24W typical, 0.5W stand by, 0.3W off mode

## 09 SUSTAINABILITY

Regulations CE, EAC, RoHS support, ErP, WEEE, REACH, UKCA

REACH SVHC above 0.1%: Lead

## 10 DIMENSIONS / WEIGHT

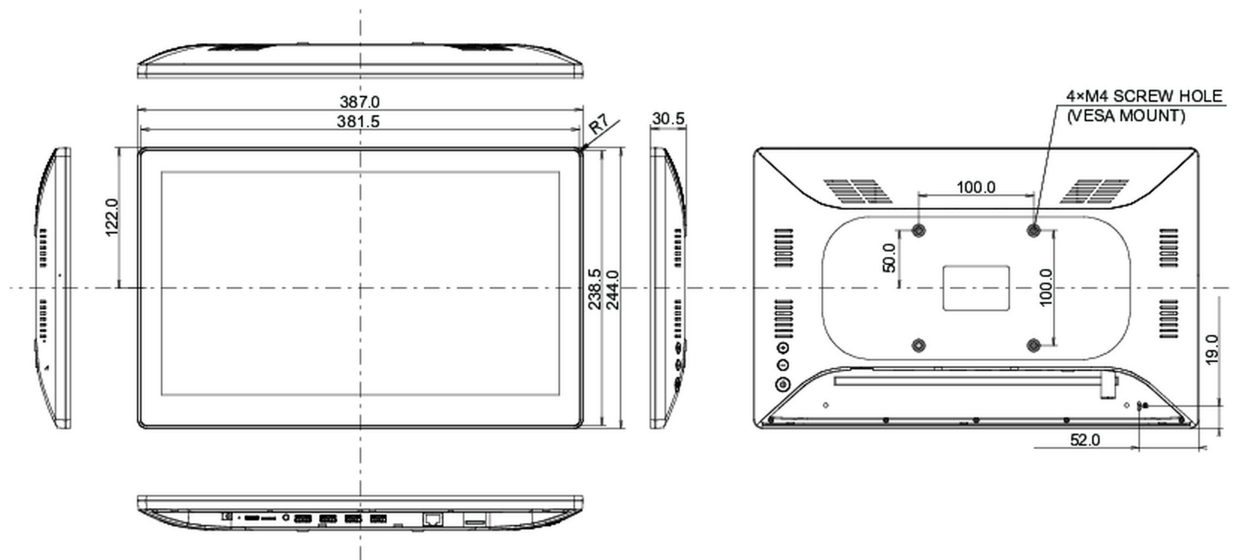
Product dimensions W x H x D 387 x 244 x 30.5mm

Box dimensions W x H x D 477 x 295 x 75mm

Weight (without box) 1.5kg

Weight (with box) 2.4kg

EAN code 4948570124534



All trademarks and registered trademarks acknowledged. E & O E. Specification subject to change without notice. All LCD's comply with ISO-9241-307:2008 in connection with pixel defects.

© IIYAMA CORPORATION. ALL RIGHTS RESERVED